



Profit from the Eagle Advantage®

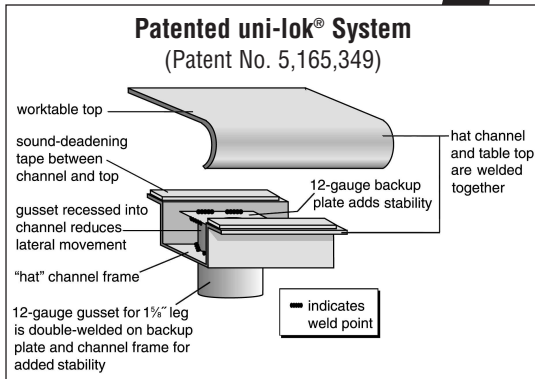
# Specification Sheet

## Short Form Specifications

Eagle Spec-Master® Prep Table, model \_\_\_\_\_. Top is 14/304 stainless steel with front rolled edge and sides turned down 90°, stainless steel undershelf, and 4½"-high stainless steel backsplash. 16" x 19" x 8" stainless steel deep-drawn sink with deck mounted faucet and polymer cover. 20" x 20" x 5" stainless steel drawer. 1½" O.D. stainless steel tubular legs with adjustable stainless steel bullet feet.



prep table



Item No.: \_\_\_\_\_  
 Project No.: \_\_\_\_\_  
 S.I.S. No.: \_\_\_\_\_

## Spec-Master® Prep Tables

### MODELS:

- PT 3072
- PT 3072-R
- PT 3084
- PT 3084-R
- PT 3096
- PT 3096-R

### Tabletop

- 14 gauge type 304 stainless steel.
- Rolled edge on front.
- Ends turned down at 90°.
- Top is reinforced with welded-on hat channel.
- Uni-lok® gusset system (patent #5,165,349): gusset is recessed into hat channel underside tabletop, reducing lateral movement.
- Full-length 4½" (114mm)-high backsplash.
- 16" x 19" x 8" (406 x 483 x 127mm) recessed stainless steel sink bowl with deck mount gooseneck faucet.
- 20" x 20" x 5" (508 x 508 x 127mm), stainless steel drawer assembly with pull flange.
- ½" (13mm) thick polymer cutting board is 18¼" x 20¼" (464 x 527mm), designed to fit inside recessed area of sink to double as a sink cover.

### Adjustable Undershelf

- Heavy gauge stainless steel.
- Gusset welded to each corner.

### Legs

- Heavy gauge stainless steel.
- 1½" (41mm)-diameter.
- Adjustable stainless steel feet.

**EAGLE GROUP**  
 100 Industrial Boulevard, Clayton, DE 19938-8903 USA  
 Phone: 302-653-3000 • Fax: 302-653-2065  
 www.eaglegrp.com

**Foodservice Division: Phone 800-441-8440**  
**MHC/Retail Display Divisions: Phone 800-637-5100**

For custom configuration or fabrication needs, contact our **SpecFAB® Division**.  
 Phone: 302-653-3000 • Fax: 302-653-3091 • e-mail: specfab@eaglegrp.com

Certifications / Approvals



**AUTOQUOTES**



EG10.18 Rev. 04/12

Spec sheets available for viewing, printing or downloading from our online literature library at [www.eaglegrp.com](http://www.eaglegrp.com)

Eagle Foodservice Equipment, Eagle MHC, SpecFAB®, and Retail Display are divisions of Eagle Group. ©2012 by the Eagle Group

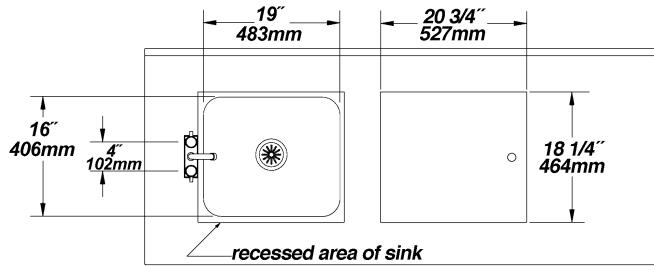
KaTom Restaurant Supply, Inc.



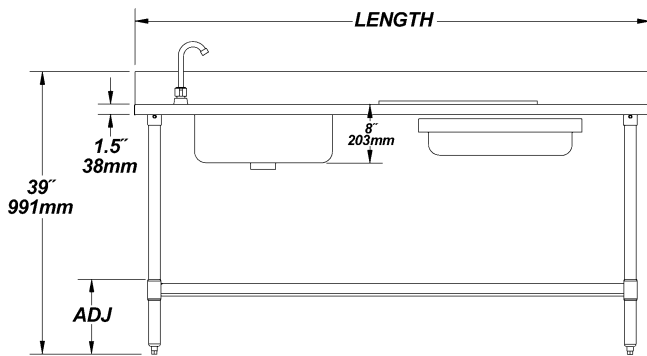
Profit from the Eagle Advantage®

Item No.: \_\_\_\_\_  
 Project No.: \_\_\_\_\_  
 S.I.S. No.: \_\_\_\_\_

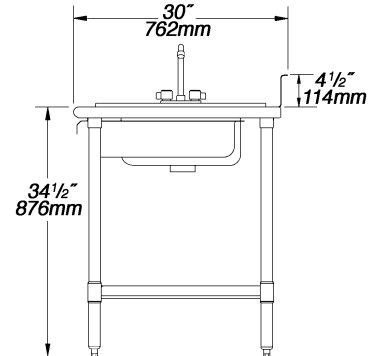
# Spec-Master® Prep Tables



TOP VIEW



FRONT VIEW



SIDE VIEW

with Left-End Sink, Right-End Drawer		with Right-End Sink, Left-End Drawer		width		length		weight	
model #	model #	in.	mm	in.	mm	lbs.	kg		
PT 3072	PT 3072-R	30"	762	72"	1829	150	68.0		
PT 3084	PT 3084-R	30"	762	84"	2134	175	79.4		
PT 3096	PT 3096-R	30"	762	96"	2438	212	96.2		

**EAGLE GROUP**  
 100 Industrial Boulevard, Clayton, DE 19938-8903 USA  
 Phone: 302-653-3000 • Fax: 302-653-2065  
 www.eaglegrp.com

Foodservice Division: Phone 800-441-8440  
 MHC/Retail Display Divisions: Phone 800-637-5100

Printed in U.S.A.  
 ©2012 by Eagle Group  
 Rev. 04/12

**Spec sheets available for viewing, printing or downloading from our online literature library at [www.eaglegrp.com](http://www.eaglegrp.com)**

Although every attempt has been made to ensure the accuracy of the information provided, we cannot be held responsible for typographical or printing errors. Information and specifications are subject to change without notice. Please confirm at time of order.