



Profit from the Eagle Advantage®

Product Announcement

Foodservice Equipment • Material Handling, Healthcare & Cleanroom Equipment • Retail Display

Short Form Specifications

Eagle Single Bar Pot Racks, model _____. One-piece flat 3/16" (5mm)-thick solid bar. 2" (51mm) wide. Available in stainless steel or aluminum. Includes one double-prong hook per linear foot.

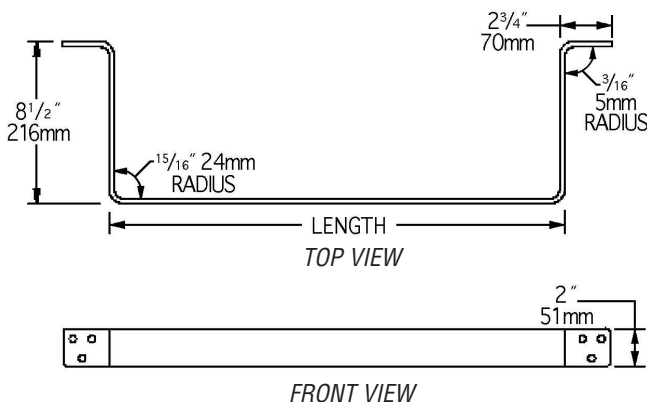
Item #:	_____
Model #:	_____
Project #:	_____
SIS #:	_____

New Single Bar Pot Racks



- Mounts directly to wall*.
- One-piece flat 3/16" (5mm)-thick solid bar.
- 2" (51mm) wide.
- Stainless steel racks polished to a satin finish.
- Furnished with one double-prong hook per linear foot.

* Hardware for mounting to wall sold separately.



length in. mm	ALUMINUM				STAINLESS STEEL			
	weight lbs.	kg	model #	list	weight lbs.	kg	model #	list
24" 610	5	2.3	SBPR-24-A	379	9	4.1	SBPR-24-S	505
36" 915	6	2.7	SBPR-36-A	399	12	5.4	SBPR-36-S	532
48" 1219	7	3.2	SBPR-48-A	411	15	6.8	SBPR-48-S	546
60" 1524	9	4.1	SBPR-60-A	422	18	8.2	SBPR-60-S	563
72" 1829	11	5.0	SBPR-72-A	436	21	9.5	SBPR-72-S	580
84" 2134	13	5.9	SBPR-84-A	446	25	11.3	SBPR-84-S	595
96" 2438	15	6.8	SBPR-96-A	492	29	13.2	SBPR-96-S	655
108" 2743	17	7.7	SBPR-108-A	541	34	15.4	SBPR-108-S	718
120" 3048	20	9.0	SBPR-120-A	587	39	17.6	SBPR-120-S	783

Spec sheets available for viewing, printing or downloading from our online literature library at www.eaglegrp.com



Foodservice Division: (800) 441-8440
 MHC/Retail Display Divisions: (800) 637-5100
 FAX: (302) 653-2065

For custom configuration or fabrication needs, contact our **SpecFAB® Division**.
 Phone: (302) 653-3000. FAX: (302) 653-3091.
 E-mail: specfab@eaglegrp.com

100 Industrial Boulevard • Clayton, DE 19938-8903 USA • (302) 653-3000 • www.eaglegrp.com

Eagle Foodservice Equipment, Eagle MHC, SpecFAB®, and Retail Display are divisions of Eagle Group. ©2011 by the Eagle Group

EG8092 Rev. 08/11

KaTom Restaurant Supply, Inc.