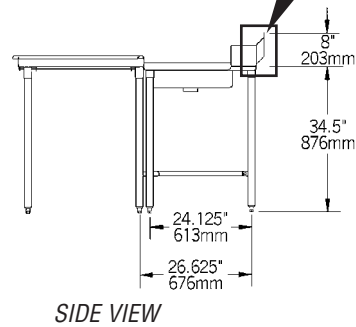
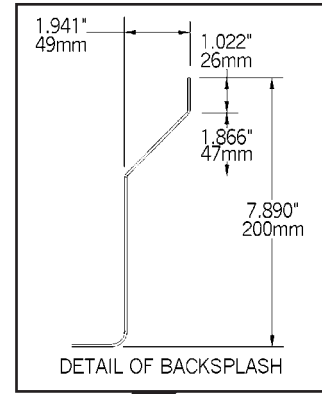
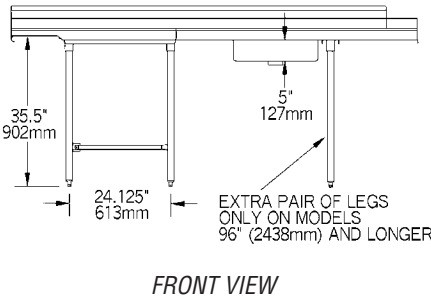
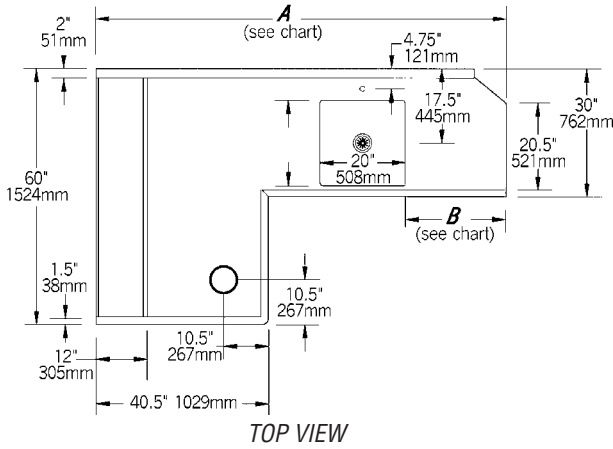




Profit from the Eagle Advantage®

Item No.: _____
 Project No.: _____
 S.I.S. No.: _____

Soiled Dishtables with Landing Shelf



left-hand model shown

16 gauge type 430 model #	16 gauge type 304 model #	Spec-Master® 14 gauge type 304 model #	description	Dimensions				weight	
				A	B	in.	mm	lbs.	kg
SDTLL-66-16/4	SDTLL-66-16/3	SDTLL-66-14/3	left-hand model	66"	7"	1676	178	165	74.8
SDTLR-66-16/4	SDTLR-66-16/3	SDTLR-66-14/3	right-hand model	66"	7"	1676	178	165	74.8
SDTLL-72-16/4	SDTLL-72-16/3	SDTLL-72-14/3	left-hand model	72"	13"	1829	330	175	79.4
SDTLR-72-16/4	SDTLR-72-16/3	SDTLR-72-14/3	right-hand model	72"	13"	1829	330	175	79.4
SDTLL-78-16/4	SDTLL-78-16/3	SDTLL-78-14/3	left-hand model	78"	19"	1981	483	185	83.9
SDTLR-78-16/4	SDTLR-78-16/3	SDTLR-78-14/3	right-hand model	78"	19"	1981	483	185	83.9
SDTLL-84-16/4	SDTLL-84-16/3	SDTLL-84-14/3	left-hand model	84"	25"	2134	635	195	88.5
SDTLR-84-16/4	SDTLR-84-16/3	SDTLR-84-14/3	right-hand model	84"	25"	2134	635	195	88.5
SDTLL-96-16/4	SDTLL-96-16/3	SDTLL-96-14/3	left-hand model	96"	37"	2438	940	210	95.3
SDTLR-96-16/4	SDTLR-96-16/3	SDTLR-96-14/3	right-hand model	96"	37"	2438	940	210	95.3
SDTLL-108-16/4	SDTLL-108-16/3	SDTLL-108-14/3	left-hand model	108"	49"	2743	1245	220	99.8
SDTLR-108-16/4	SDTLR-108-16/3	SDTLR-108-14/3	right-hand model	108"	49"	2743	1245	220	99.8
SDTLL-120-16/4	SDTLL-120-16/3	SDTLL-120-14/3	left-hand model	120"	60"	3048	1524	230	107.3
SDTLR-120-16/4	SDTLR-120-16/3	SDTLR-120-14/3	right-hand model	120"	60"	3048	1524	230	107.3

EAGLE GROUP
 100 Industrial Boulevard, Clayton, DE 19938-8903 USA
 Phone: 302-653-3000 • Fax: 302-653-2065
 www.eaglegrp.com

Foodservice Division: Phone 800-441-8440
 MHC/Retail Display Divisions: Phone 800-637-5100

Printed in U.S.A.
 ©2009 by Eagle Group
 Rev. 06/09

Spec sheets available for viewing, printing or downloading from our online literature library at www.eaglegrp.com

Although every attempt has been made to ensure the accuracy of the information provided, we cannot be held responsible for typographical or printing errors. Information and specifications are subject to change without notice. Please confirm at time of order.