



Profit from the Eagle Advantage®

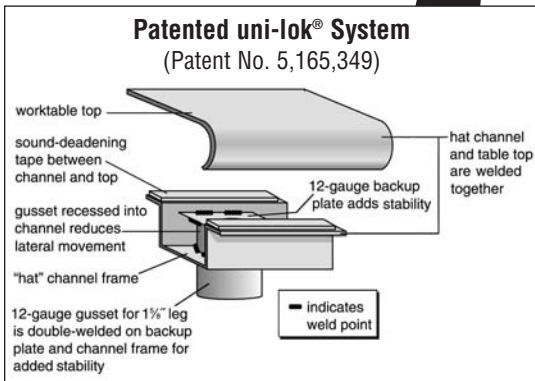
Specification Sheet

Short Form Specifications

Eagle worktables, Budget series, model _____ . Top to be constructed of heavy gauge type 430 stainless steel with 1½" roll on front, 4½" backplash, and sides turned down 90°. Open front with 1¼" O.D., stainless steel tubular crossbracing on sides and rear. Top reinforced with welded hat channels and sound deadened. Constructed with uni-lok® patented gusset system with the gussets recessed into the hat channels to reduce lateral movement. Legs to be 1½" O.D. stainless steel tubing, with stainless steel gussets and 1" adjustable hi-impact plastic bullet feet.



worktable with backplash and tubular base —shown with optional drawer



Item No.: _____
 Project No.: _____
 S.I.S. No.: _____

Worktables with Backsplash and Stainless Steel Tubular Base —Budget Series

MODELS:

- | | | | |
|--------------------------------------|---------------------------------------|---------------------------------------|---------------------------------------|
| <input type="checkbox"/> T2424STB-BS | <input type="checkbox"/> T24108STB-BS | <input type="checkbox"/> T3072STB-BS | <input type="checkbox"/> T3660STB-BS |
| <input type="checkbox"/> T2430STB-BS | <input type="checkbox"/> T24120STB-BS | <input type="checkbox"/> T3084STB-BS | <input type="checkbox"/> T3672STB-BS |
| <input type="checkbox"/> T2436STB-BS | <input type="checkbox"/> T24132STB-BS | <input type="checkbox"/> T3096STB-BS | <input type="checkbox"/> T3684STB-BS |
| <input type="checkbox"/> T2448STB-BS | <input type="checkbox"/> T24144STB-BS | <input type="checkbox"/> T30108STB-BS | <input type="checkbox"/> T3696STB-BS |
| <input type="checkbox"/> T2460STB-BS | <input type="checkbox"/> T3030STB-BS | <input type="checkbox"/> T30120STB-BS | <input type="checkbox"/> T36108STB-BS |
| <input type="checkbox"/> T2472STB-BS | <input type="checkbox"/> T3036STB-BS | <input type="checkbox"/> T30132STB-BS | <input type="checkbox"/> T36120STB-BS |
| <input type="checkbox"/> T2484STB-BS | <input type="checkbox"/> T3048STB-BS | <input type="checkbox"/> T30144STB-BS | <input type="checkbox"/> T36132STB-BS |
| <input type="checkbox"/> T2496STB-BS | <input type="checkbox"/> T3060STB-BS | <input type="checkbox"/> T3648STB-BS | <input type="checkbox"/> T36144STB-BS |

Tabletop

- Patented uni-lok® gusset system (patent #5,165,349): gussets are recessed into hat channel, reducing lateral movement.
- Top reinforced with welded-on hat channel.
- Sound-deadened between top and channels.
- 4½" (114mm)-high 90° backplash with 1" (25mm) turn at 90°.
- 1½" (38mm)-diameter 180° rolled edge on front. Ends are turned down 90°, providing for flush installations when required.
- Heavy gauge type 430 polished stainless steel.

Crossbracing—1¼" (38mm)-diameter

- Heavy gauge stainless steel.
- Aluminum castings join crossbraces, legs and rear brace.

Legs—1½" (41mm)-diameter

- Tables 96" (2438mm) and longer come with six legs or more.
- Heavy gauge stainless steel.
- 1" (25mm) adjustable hi-impact plastic feet.

Options / Accessories

- | | |
|--|--|
| <input type="checkbox"/> Drawer | <input type="checkbox"/> Duplex receptacles |
| <input type="checkbox"/> Lock | <input type="checkbox"/> Pot rack |
| <input type="checkbox"/> Casters | <input type="checkbox"/> Sink |
| <input type="checkbox"/> Stainless steel bullet feet | <input type="checkbox"/> Stabilizer Bar (for 30"- and 36"-wide tables) |
| <input type="checkbox"/> Overshelves | |



EAGLE GROUP
 100 Industrial Boulevard, Clayton, DE 19938-8903 USA
 Phone: 302-653-3000 • Fax: 302-653-2065
 www.eaglegrp.com

Foodservice Division: Phone 800-441-8440
MHC/Retail Display Divisions: Phone 800-637-5100

For custom configuration or fabrication needs, contact our **SpecFAB® Division**.
 Phone: 302-653-3000 • Fax: 302-653-3091 • e-mail: specfab@eaglegrp.com

EG10.47A Rev. 07/08

Spec sheets available for viewing, printing or downloading from our online literature library at www.eaglegrp.com

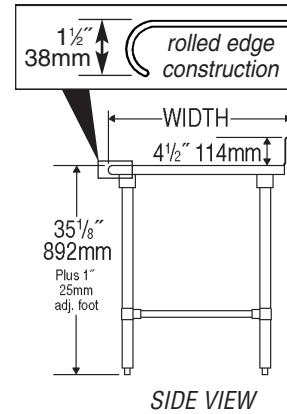
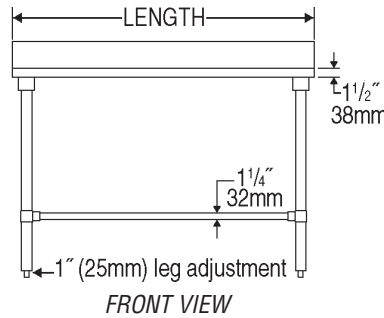
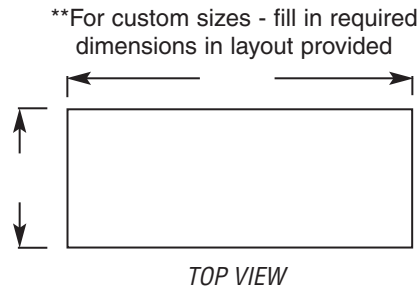
Eagle Foodservice Equipment, Eagle MHC, SpecFAB®, and Retail Display are divisions of Eagle Group. ©2008 by the Eagle Group

KaTom Restaurant Supply, Inc.



Item No.: _____
 Project No.: _____
 S.I.S. No.: _____

Worktables with Backsplash and Stainless Steel Tubular Base —Budget Series



| model # | # of legs | width | | length | | weight | |
|--------------|-----------|-------|-----|--------|------|--------|------|
| | | in. | mm | in. | mm | lbs. | kg |
| T2424STB-BS | 4 | 24" | 610 | 24" | 610 | 41 | 18.6 |
| T2430STB-BS | 4 | 24" | 610 | 30" | 762 | 46 | 20.9 |
| T2436STB-BS | 4 | 24" | 610 | 36" | 914 | 51 | 23.1 |
| T2448STB-BS | 4 | 24" | 610 | 48" | 1219 | 61 | 27.7 |
| T2460STB-BS | 4 | 24" | 610 | 60" | 1524 | 71 | 32.2 |
| T2472STB-BS | 4 | 24" | 610 | 72" | 1829 | 81 | 36.7 |
| T2484STB-BS | 4 | 24" | 610 | 84" | 2134 | 91 | 41.3 |
| T2496STB-BS | 6 | 24" | 610 | 96" | 2438 | 101 | 45.8 |
| T24108STB-BS | 6 | 24" | 610 | 108" | 2743 | 111 | 50.3 |
| T24120STB-BS | 6 | 24" | 610 | 120" | 3048 | 121 | 54.9 |
| T24132STB-BS | 8 | 24" | 610 | 132" | 3353 | 131 | 59.4 |
| T24144STB-BS | 8 | 24" | 610 | 144" | 3658 | 141 | 64.0 |
| T3030STB-BS | 4 | 30" | 762 | 30" | 762 | 51 | 23.1 |
| T3036STB-BS | 4 | 30" | 762 | 36" | 914 | 56 | 25.4 |
| T3048STB-BS | 4 | 30" | 762 | 48" | 1219 | 66 | 29.9 |
| T3060STB-BS | 4 | 30" | 762 | 60" | 1524 | 76 | 34.5 |
| T3072STB-BS | 4 | 30" | 762 | 72" | 1829 | 86 | 39.0 |
| T3084STB-BS | 4 | 30" | 762 | 84" | 2134 | 96 | 43.6 |
| T3096STB-BS | 6 | 30" | 762 | 96" | 2438 | 106 | 48.1 |
| T30108STB-BS | 6 | 30" | 762 | 108" | 2743 | 116 | 52.6 |
| T30120STB-BS | 6 | 30" | 762 | 120" | 3048 | 126 | 57.2 |
| T30132STB-BS | 8 | 30" | 762 | 132" | 3353 | 136 | 61.7 |
| T30144STB-BS | 8 | 30" | 762 | 144" | 3658 | 146 | 66.2 |
| T3648STB-BS | 4 | 36" | 914 | 48" | 1219 | 71 | 32.2 |
| T3660STB-BS | 4 | 36" | 914 | 60" | 1524 | 81 | 36.7 |
| T3672STB-BS | 4 | 36" | 914 | 72" | 1829 | 91 | 41.3 |
| T3684STB-BS | 4 | 36" | 914 | 84" | 2134 | 101 | 45.8 |
| T3696STB-BS | 6 | 36" | 914 | 96" | 2438 | 111 | 50.3 |
| T36108STB-BS | 6 | 36" | 914 | 108" | 2743 | 121 | 54.9 |
| T36120STB-BS | 6 | 36" | 914 | 120" | 3048 | 131 | 59.4 |
| T36132STB-BS | 8 | 36" | 914 | 132" | 3353 | 141 | 64.0 |
| T36144STB-BS | 8 | 36" | 914 | 144" | 3658 | 151 | 68.5 |

EAGLE GROUP
 100 Industrial Boulevard, Clayton, DE 19938-8903 USA
 Phone: 302-653-3000 • Fax: 302-653-2065
 www.eaglegrp.com

Foodservice Division: Phone 800-441-8440
 MHC/Retail Display Divisions: Phone 800-637-5100

Printed in U.S.A.
 ©2008 by Eagle Group

Rev. 07/08

Spec sheets available for viewing, printing or downloading from our online literature library at www.eaglegrp.com

Although every attempt has been made to ensure the accuracy of the information provided, we cannot be held responsible for typographical or printing errors. Information and specifications are subject to change without notice. Please confirm at time of order.