



Profit from the Eagle Advantage®

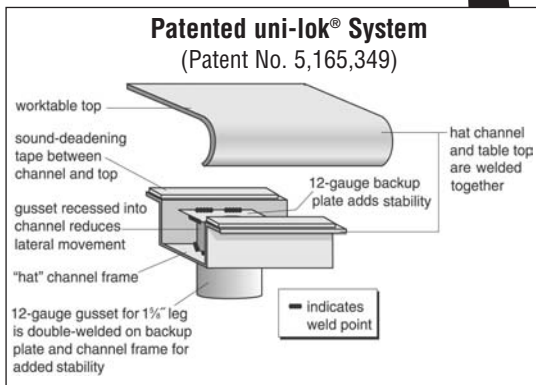
# Specification Sheet

## Short Form Specifications

Eagle Knock Down Worktable with Cabinet Kit, model \_\_\_\_\_ . Top and side panels to be heavy gauge type 430 stainless steel, with 4½" x 1" backsplash. Base to have (hinged, sliding) doors, table to have stainless steel enclosed sides and front with open rear. Unit ships knocked down.



T3036BA-BS-HGD



Item No.: \_\_\_\_\_  
Project No.: \_\_\_\_\_  
S.I.S. No.: \_\_\_\_\_

## Knock Down Worktables with Cabinet Kit

### MODELS:

- T3036BA-BS-HGD       T3036BA-BS-SGD
- T3048BA-BS-HGD       T3048BA-BS-SGD
- T3060BA-BS-HGD       T3060BA-BS-SGD

### Features

- Type 430 stainless steel tabletop and side panels.
- 34½" (876mm) working height with plastic adjustable feet.
- 1½" (41mm) diameter galvanized legs.
- Patented uni-lok® (patent #5,165,349) leg channel supports left-to-right.
- Plated gusset holders.
- Stainless steel worksurface with integral 4½" high x 1" deep (114 x 25mm) backsplash.
- Shipped knocked down and easy to assemble.
- Stainless steel exposed enclosure panels on sides and doors.
- Full-size galvanized undershelf.

### HGD Series - Tables with Hinged Doors

- Chrome pull handles.
- Magnetic door catch.
- Lift-off hinge construction.

### SLD Series - Tables with Sliding Doors

- Integrated full height vertical handle.
- Removable bottom track without tools.
- Doors feature rubber bumpers and button glides.

### Options / Accessories

- Casters
- Locks

**EAGLE GROUP**  
100 Industrial Boulevard, Clayton, DE 19938-8903 USA  
Phone: 302-653-3000 • Fax: 302-653-2065  
www.eaglegrp.com

**Foodservice Division: Phone 800-441-8440**  
**MHC/Retail Display Divisions: Phone 800-637-5100**

For custom configuration or fabrication needs, contact our **SpecFAB® Division**.  
Phone: 302-653-3000 • Fax: 302-653-3091 • e-mail: specfab@eaglegrp.com



EG10.36 Rev. 03/09

**Spec sheets available for viewing, printing or downloading from our online literature library at [www.eaglegrp.com](http://www.eaglegrp.com)**

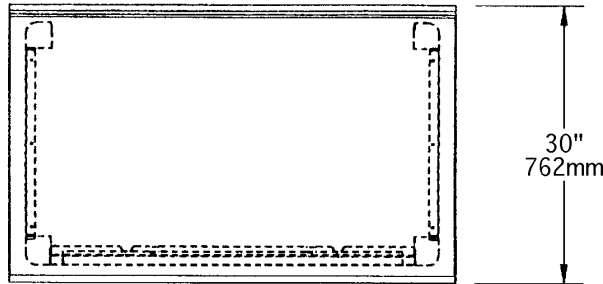
*Eagle Foodservice Equipment, Eagle MHC, SpecFAB®, and Retail Display are divisions of Eagle Group. ©2009 by the Eagle Group*

KaTom Restaurant Supply, Inc.

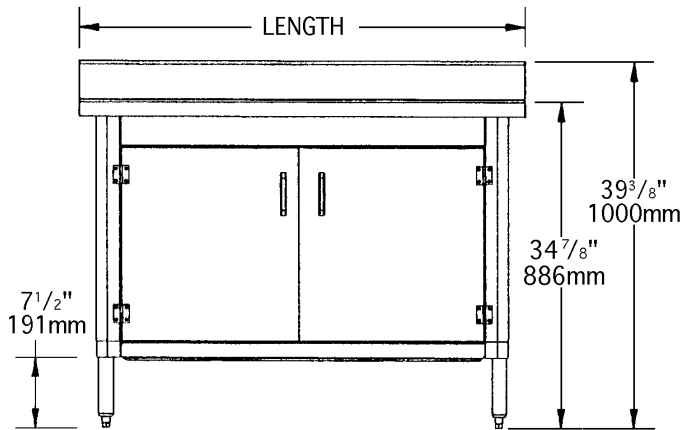


Item No.: \_\_\_\_\_  
 Project No.: \_\_\_\_\_  
 S.I.S. No.: \_\_\_\_\_

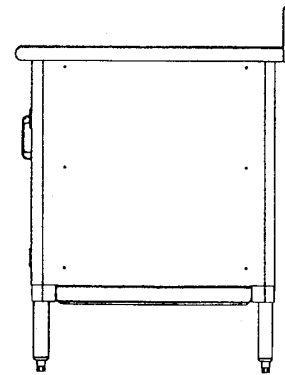
## Knock Down Worktables with Cabinet Kit



TOP VIEW



FRONT VIEW



SIDE VIEW

Note: HGD Series table with hinged doors shown

| WITH HINGED DOORS |                | WITH SLIDING DOORS |     | width |      | length |      | weight |  |
|-------------------|----------------|--------------------|-----|-------|------|--------|------|--------|--|
| model #           | model #        | in.                | mm  | in.   | mm   | lbs.   | kg   |        |  |
| T3036BA-BS-HGD    | T3036BA-BS-SGD | 30"                | 762 | 36"   | 914  | 52     | 23.6 |        |  |
| T3048BA-BS-HGD    | T3048BA-BS-SGD | 30"                | 762 | 88"   | 1219 | 66     | 29.9 |        |  |
| T3060BA-BS-HGD    | T3060BA-BS-SGD | 30"                | 762 | 60"   | 1524 | 79     | 35.8 |        |  |

**EAGLE GROUP**  
 100 Industrial Boulevard, Clayton, DE 19938-8903 USA  
 Phone: 302-653-3000 • Fax: 302-653-2065  
 www.eaglegrp.com

Foodservice Division: Phone 800-441-8440  
 MHC/Retail Display Divisions: Phone 800-637-5100

Printed in U.S.A.  
 ©2009 by Eagle Group  
 Rev. 03/09

Spec sheets available for viewing, printing or downloading from our online literature library at [www.eaglegrp.com](http://www.eaglegrp.com)

Although every attempt has been made to ensure the accuracy of the information provided, we cannot be held responsible for typographical or printing errors. Information and specifications are subject to change without notice. Please confirm at time of order.