

# TRITON

ice crusher



- Crushes ice in different sizes by adjusting the blade
- Ideal for modern market demands
- Heavy-duty 350 W motor crushes 80 lbs. of ice per hour
- Large ice chute for easy feeding of ice
- Safety interlock on ice chute and collecting container
- Stainless steel housing

## Features

### Technical:

- Can produce either finely crushed ice or flakes of frozen ice for cocktails or to display cold dishes
- Ice can be crushed up to 3/8" (10 mm) in thickness

### Safety

- Safety interlock on the ice chute
- Safety interlock on the collecting container

### Sanitary

- Body and tray are made from thermoformed alimentary plastic

## Specifications

### Construction:

Ribbed belt for low power absorption  
Stainless steel housing

### Motor:

1/2 Hp (365W), direct transmission.

### Electrical:

120V AC, 60Hz, 3.04 Amp. (220V, 50Hz available on request).

### Plug & Cord:

Detachable, flexible, 3 wire SJT AWG 18, 6' long.

### Switch:

ON/OFF button.



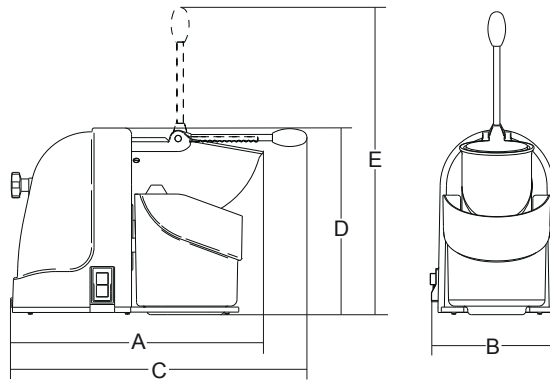
Cut thickness adjusting knob



Microswitch on the lever



Collecting tray with microswitch



	Power	Power source	Motor	Blade speed	Crushed ice max thickness	Capacity bowl	A	B	C	D	E	Net weight	Shipping	Gross weight
	watt		r.p.m.	r.p.m.	inch	oz.	inch.	inch.	inch.	inch.	inch.	lbs.	inch.	lbs.
<b>Triton</b>	350	120V AC, 60Hz, 3.04 Amp	12,000	1500	3/8	64	14 <sup>3/8"</sup>	8 <sup>1/4"</sup>	18 <sup>5/16"</sup>	11 <sup>5/8"</sup>	18 <sup>7/8"</sup>	19	21 <sup>1/4"</sup> x 11" x 12 <sup>3/16"</sup>	22