

255 Welter Drive  
Monticello, IA 52310

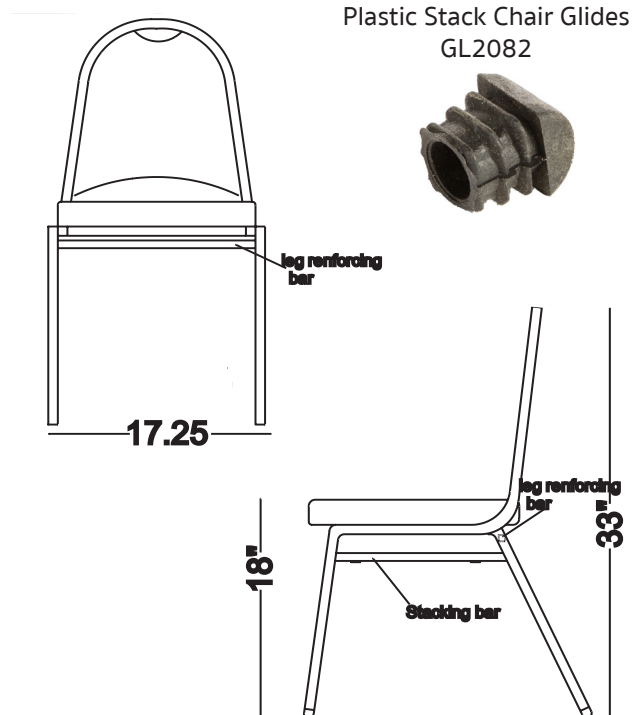


Phone: (877) 465-4344  
Fax: (877) 465-4042  
www.oakstreetmfg.com

## BANQUET STACK CHAIR: SL2089

(FOR PRODUCT SOLD IN CALIFORNIA, PLEASE SEE CALIFORNIA SPEC SHEET)

- Quality fabric backed commercial grade vinyl available in: Black and Wine
- Frame available in Silvervein (with black vinyl) and Black (with black or wine vinyl)
- Plywood seat and back core
- Special back assembly includes metal channeld construction
- 2" waterfall, flame retardant seat cushion
- Reinforcement bars on back and sides
- 1.2mm frame thickness
- 3/4" steel tubing
- Non-marring poly glides
- Banquet stack chair weight: 15 lbs.



SL2089-BLK



SL2089-WINE



SL2089-SV