

# doughXpress<sup>®</sup> ACCESSORIES



(DXC-3 Cart Shown With DXM-SS Mounted)

## DXC-3: Dough Press Cart Only

Any doughXpress machine can be mounted easily on top of the DXC cart. The cart top has raised marine edges to keep food oil drippings from getting on the floor and for easy cleanup.

Cart features include:

- 16 gauge, stainless steel top with marine-style edge.
- 16 gauge, stainless steel bottom shelf.
- 1-1/4" aluminum frame.
- Four 5" swivel wheels with 2 front locking.
- Dimensions: 30.5" x 21.5" x 25"
- Cart weight: 40 lbs.  
Shipping weight: 45 lbs.  
Shipping box dimensions: 21-1/2" x 25" x 31"

## DXC-3AC: Dough Press Cart With Silent Air Compressor

This cart is for the DXA automatic dough press. It has the same features as described above and also includes a silent running air compressor mounted on the bottom shelf in an enclosure. With our silent air compressor, your customers will never have to hear a noisy compressor again.

- Air compressor specifications:
  - 1.1 Gallon Tank,
  - 1/2 HP, 110 Volt, 60 Hz, 400 Watts
- Cart size same as above
- Silent air compressor weight: 49 lbs.
- Cart & silent air compressor weight: 109 lbs.
- Shipping weight: 115 lbs.
- Shipping box dimensions: 21-1/2" x 25" x 31"



(DXC-3AC Cart With Silent Air Compressor)

***For your nearest distributor,  
call 1-800-835-0606 ext. 205 or  
Visit [www.doughxpress.com](http://www.doughxpress.com)***

**Call 1-800-835-0606 ext. 205 to speak with a sales associate  
[www.doughxpress.com](http://www.doughxpress.com)**



1201 E. 27th Terrace • Pittsburg, KS 66762 • 620-231-8568 • Fax: 866-565-3189  
E-Mail: [doughxpress@hixcorp.com](mailto:doughxpress@hixcorp.com) • Website: [www.doughxpress.com](http://www.doughxpress.com)



## DXA AIR AUTOMATIC PIZZA PRESS SPECIFICATIONS

### DIMENSIONS

Width: 21-1/4 inches, 54 centimeters  
Height: 25-1/16 inches, 63.7 centimeters  
Depth: 30 inches, 76.2 centimeters

### EXTERIOR

Stainless Steel, Type 304  
With #4 Polished Finish

### AIR

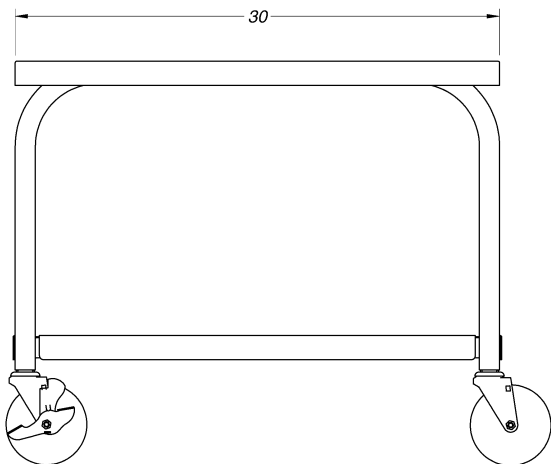
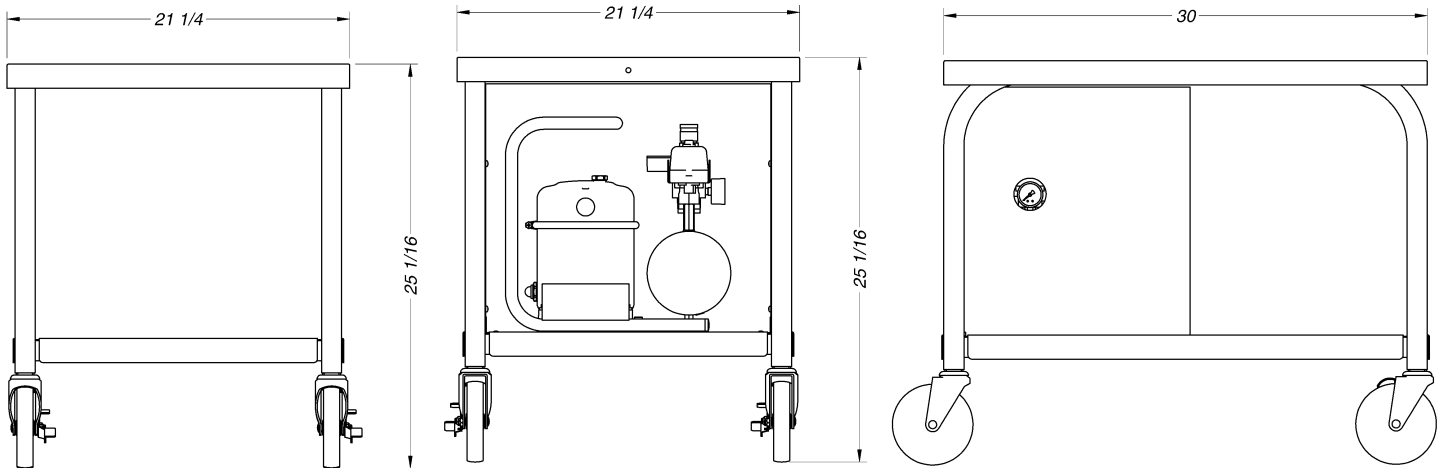
110-130 PSI Operating Pressure  
1.1 Gallon Tank

### ELECTRICAL

1/2 HP  
110 Volt, 60 Hz, 400 Watts

### WEIGHT

Cart & Compressor: 109 lbs.  
Shipping: 115 lbs.



Available Through:



1201 E. 27th Terrace • Pittsburg, KS 66762 • 620-231-8568 • Fax: 866-565-3189  
E-Mail: [doughxpress@hixcorp.com](mailto:doughxpress@hixcorp.com) • Website: [www.doughxpress.com](http://www.doughxpress.com)