

doughXpress DXDC5

DOUGH STORAGE CART

The DXDC5 is the perfect solution for your dough handling needs. It easily organizes and transports your dough balls for proofing, cooling, freezing, or production. The trays lift out for quick loading and are tilted to allow the tubs to slide forward for easy stock rotation. The tubs protect your dough balls from freezing to proofing and keep them from drying and crusting for maximum freshness.

DXDC5 FEATURES INCLUDE:

- Easy lift out trays hold 9 tubs. Load the tubs from the back of cart or load tray and slide onto cart rails.
- Each tray is tilted so that the tubs slide forward as you use them keeping your product rotated.
- The 2-quart tubs, with lids are made of Polypropylene. The tubs are FDA approved.
- Quick, washable, efficient, removeable trays made of durable, lightweight ABS.
- Trays have centering ribs to keep your tubs in alignment as they slide.
- Each tray holds 9 tubs for a total of 63 tubs per cart.
- Sturdy aluminum frame with 2 locking 5" swivel wheels.
- Overall cart dimensions are 27" wide, 63" tall, and 26" deep.



**Trays Can
Be Removed
For Easy Loading!**



Visit www.doughxpress.com or Call 1-800-835-0606

HIX CORPORATION
Food Equipment Division

1201 E. 27th Terrace • Pittsburg, KS 66762 • Fax: 620-231-1598 • E-Mail: doughxpress@hixcorp.com



DXDC-5 DOUGH CART SPECIFICATIONS

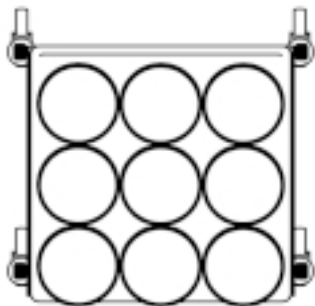
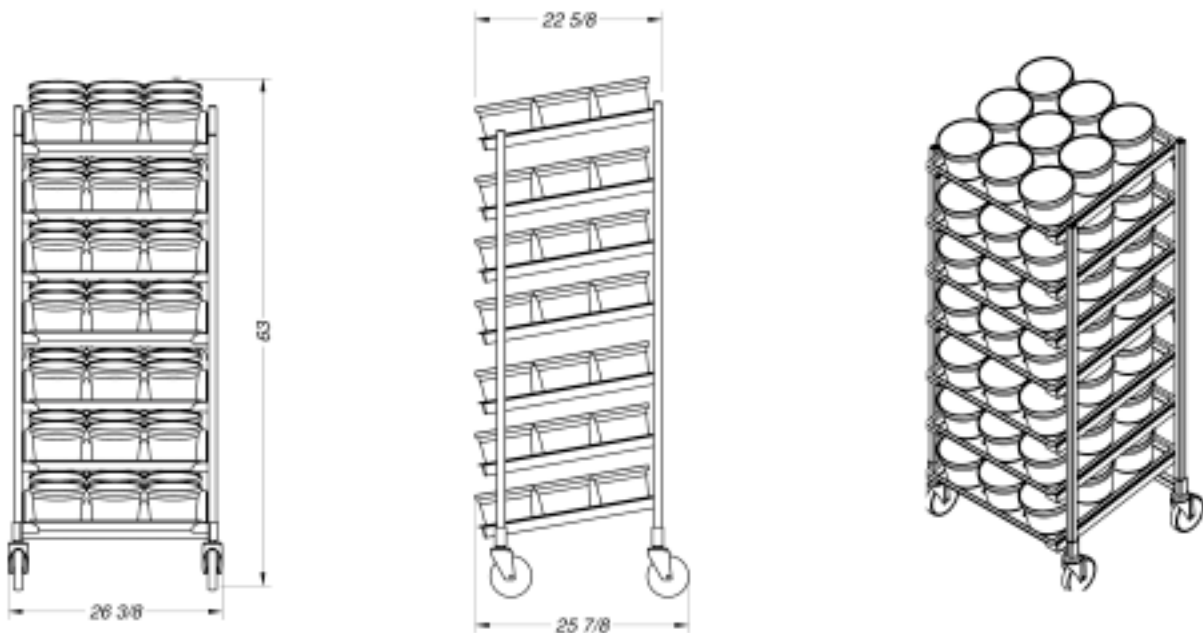
DIMENSIONS

Width: 26-3/8 inches, 66.99 centimeters

Height: 63 inches, 160.02 centimeters

Depth: 25-7/8 inches, 65.72 centimeters

Weight: 65 lbs



Available Through:



1201 East 27th Terrace • Pittsburg, KS 66762 • 1-800-835-0606 • 1-620-231-8568

Fax: 1-620-231-1598 • E-Mail: doughxpress@hixcorp.com • Web Site: www.doughxpress.com