

# doughXpress

Model No. **DXM-SSCP**

## Big Chick Manual Meat Press



**BEFORE**

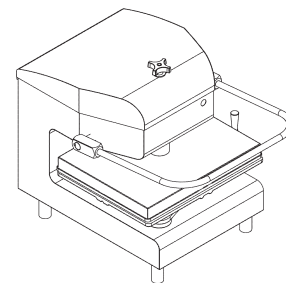
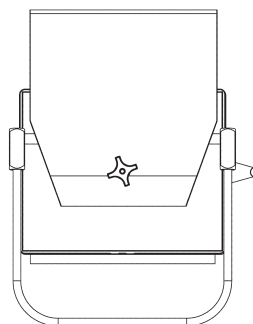
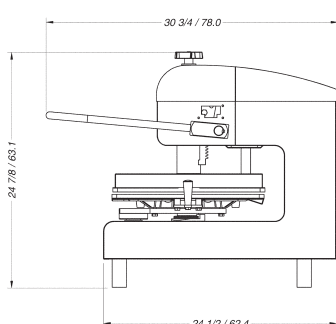
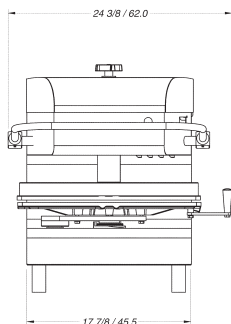
**AFTER**

### DIMENSIONS

Width: 24-3/8 inches, 62 centimeters  
Height: 24-7/8 inches, 63.1 centimeters  
Depth: 24-1/2 inches, 62.4 centimeters

### WEIGHT

Press Only: 205 lbs.  
Shipping: 255 lbs.



The Big Chick, DXM-SSCP, stainless steel model is the fastest and easiest meat press to use. Set the thickness and it will give you consistent results every time, giving you a more consistent cook time and increasing center of the plate coverage.

The Big Chick has a swing out lower platen that makes loading and removing meat easy. It is perfect for chicken, pork or veal.

### FEATURES INCLUDE:

- Large 16" x 20" platens.
- Swing-out design for easy placement of your cutlets of chicken, pork, fish or veal.
- Process up to six cutlets at a time.
- Can produce 700 to 1000 pieces per hour.
- Easy to clean stainless steel.
- Standard non-stick Xylan® coated platens.
- Stainless steel cart (model DXC3) with casters available.
- Stainless steel exterior, Type 304 With #4 polished finish.
- NSF listed.



**doughXpress**  
**HIX Corporation Food Division**  
Product improvement may require us to change specifications without notice.  
Revised April 2009

### DOUGHXPRESS

1201 E. 27th Terrace  
Pittsburg, KS 66762 USA

Toll Free: (800) 835-0606 ext.205  
Tel: (620) 231-8568 ext.205  
Fax: (866) 565-3189

[doughxpress@hixcorp.com](mailto:doughxpress@hixcorp.com) or visit [www.doughxpress.com](http://www.doughxpress.com)