

Return Chute Assembly **DXSM-270 Chute**



Features:

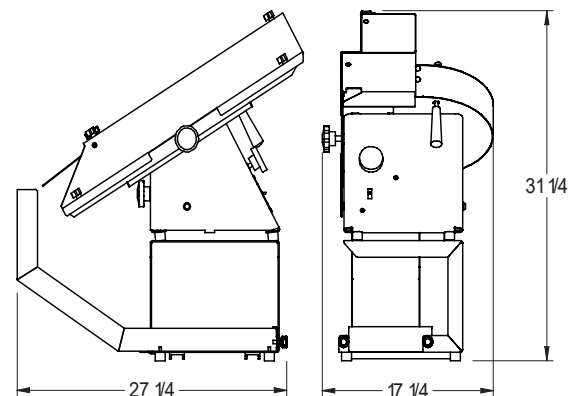
- For use with the Model M-270 Compact
- Use for slicing Buns, Bagels, Cones, Subs & Hoagies up to 8" in length.
- Easily assembled w/o tools.
- Sturdy steel construction w/white powder coat finish.
- Will hold up to a dozen or more product at a time.
- Saves counter space by allowing operation perpendicular to the wall.
- Non-skid rubber feet for stable operation.
- Slicer mounts easily with two thumb screws.

DIMENSIONS

Width: 17 ¼ inches, 43.8 centimeters
Height: 31 ¼ inches, 79.4 centimeters
Depth: 27 ¼ inches, 69.2 centimeters

WEIGHT

Net: 23 lbs., 10.43 kg
Shipping: 30 lbs., 13.61 kg



doughXpress

HIX Corporation Food Division

Product improvement may require us to change specifications without notice.

Revised March 2019

DOUGHXPRESS

1201 E. 27th Terrace
Pittsburg, KS 66762 USA

Toll Free: (800) 835-0606

Tel: (620) 231-8568

Fax: (620) 231-1598

doughxpress@hixcorp.com or visit www.doughxpress.com