

E**FULLY JACKETED STATIONARY
PEDESTAL ELECTRIC STEAM KETTLE**JOB NAME: _____
ITEM NO.: _____
NO. REQUIRED: _____**MODELS:** F-20PEF F-30PEF
 F-40PEF F-60PEF

DESCRIPTION: Will be a Market Forge Self-generating electric, pedestal, steam jacketed kettle. Kettle will be constructed of welded satin finish, stainless steel type 304. A double wall interior around the kettle will form a full steam jacket. The jacket will enclose heat elements (*Which will be easily removable for service*), water and antifreeze design for superior heat distribution.

Unit will be mounted on a stainless steel pedestal base. Pedestal base will have four holes evenly spaced for securing the unit to the floor.

Controls will be integrally mounted to the kettle base and will include a power switch, thermostat, pilot light, vacuum/pressure gauge, safety valve, and low water shut-off. Kettle will operate in a temperature range of 140° to 290° F (60° to 144°C) at a maximum pressure of 50 PSI (3.5kg/cm²).

Convenience feature will include a counterbalanced hinged stainless steel cover and a 2" (50mm) sanitary draw-off valve with strainer and heat resistant handle.

OPERATION WILL BE BY: Electrically, self generating, closed steam system built in accordance with A.S.M.E. codes. Available kW options are:

MODEL	STANDARD	OPTIONAL
F-20PEF	18	24
F-30PEF	18	24
F-40PEF	24	33
F-60PEF	24	33



F-40PEF

OPTIONAL ITEMS AT EXTRA COST:

- Double pantry faucet with swing spout and mounting bracket.
- Single pantry faucet with swing spout and mounting bracket.
- Triple basket assembly.
- 3" (76mm) draw-off valve with strainer.
- Type 316 stainless steel liner for high acid content products.
- Wall models (*Consult Factory*)
- Graduated measuring stick.
- Etched Gallon Markings.

ELECTRICAL - AMPS PER LINE:

KW	PHASE	280V	220V	240V	380V	415V	480V	600V
18	3	50.0	47.2	43.3	27.3	25.0	21.7	17.3
24	3	66.6	63.0	57.7	36.5	33.4	28.9	23.1
33	3	91.6	86.6	79.4	50.1	45.9	39.7	31.7

The manufacturer reserves the right to modify materials and specifications without notice.

SPEC SHEET: S-6019
02/10FOOD SERVICE EQUIPMENT
Full Jacketed Stationary Pedestal Kettle

mf WORLDWIDE **MARKET FORGE**
INDUSTRIES INC.
An Employee Owned Company
"The Premier Steam Cooking Equipment Manufacturer"

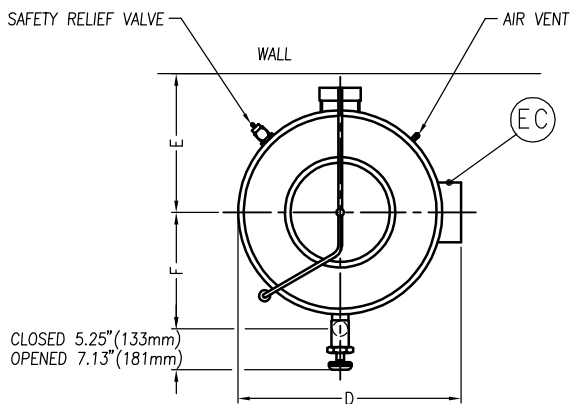
35 Garvey Street • Everett • MA • 02149
Tel: (617) 387-47100 • Toll Free: (866) 698-3188 • Fax: (617) 387-4456 • Outside MA Fax: (800) 227-2659
E-Mail: custserv@mfi.com • Website: www.mfi.com

E**FULLY JACKETED STATIONARY
PEDESTAL ELECTRIC STEAM KETTLE**

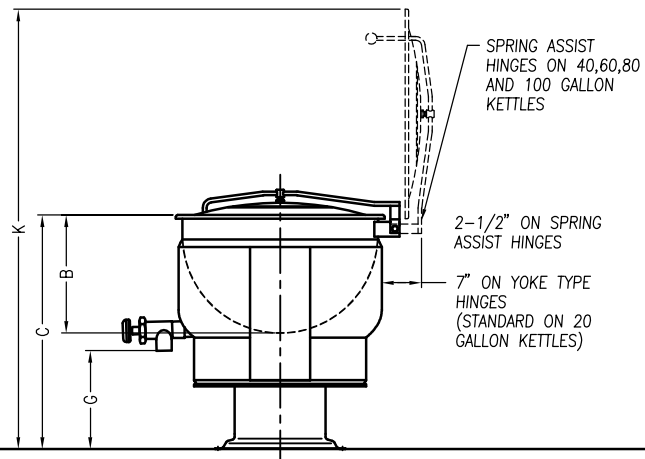
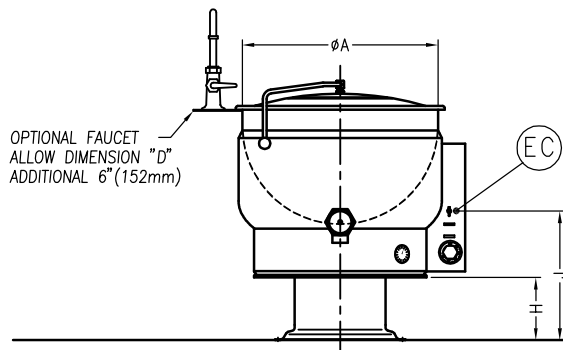
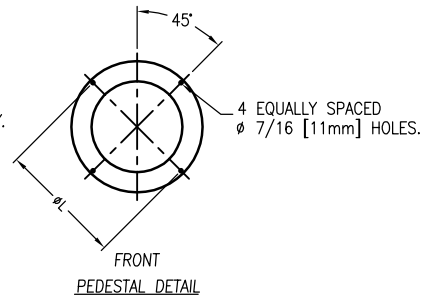
DETAILS & DIMENSION

DIMENSIONS

MODEL		A	B	C	D	E	F	G	H	J	K	L	M
F-20PEF	inches mm	21 533	18 457	38 965	22.75 578	18 457	13.75 350	18.5 470	60.5 1537	14 356	24.75 629	21 533	17.25 438
F-30PEF	inches mm	24 610	20 508	38 965	25.75 654	16 406	15 381	20 508	63.5 1613	12.5 318	27.75 705	19 483	17.25 438
F-40PEF	inches mm	26 660	22.5 572	38 965	27.75 705	13.5 343	16 406	21 533	65 1651	9 229	29.75 756	17 432	17.25 438
F-60PEF	inches mm	29.5 749	26 660	42 1067	31.25 794	14 356	17 432	19 483	75 1905	11 280	33.75 857	17.25 438	17.25 438

SPEC SHEET: S-6019
02/10FOOD SERVICE EQUIPMENT
Full Jacketed Stationary Pedestal Kettle

NOTE:
DIMENSIONS F AND G ARE BASED
ON Ø2.0" DRAW OFF VALVE.
OTHER VALVES VARY ACCORDINGLY.



It is our policy to build equipment which is design certified by U.L., A.S.M.E., N.S.F. and C.S.A. However, a continuing program of product improvement makes it necessary to submit new models to the agencies as they are developed and consequently not all models bear the appropriate agency labels at all times.

mf WORLDWIDE
MARKET FORGE
INDUSTRIES INC.
An Employee Owned Company
"The Premier Steam Cooking Equipment Manufacturer"

AutoQuotes

PRINTED IN U. S. A.

35 Garvey Street • Everett • MA • 02149
Tel: (617) 387-47100 • Toll Free: (866) 698-3188 • Fax: (617) 387-4456 • Outside MA Fax: (800) 227-2659
E-Mail: custserv@mfii.com • Website: www.mfii.com

KaTom Restaurant Supply, Inc.