

E**4, 6, 10 & 12 GALLON
SELF-CONTAINED TILTING ELECTRIC KETTLE
WITH HAND CRANK**JOB NAME: _____
ITEM NO.: _____
NO. REQUIRED: _____**MODELS:** FCT- 4CE FCT- 6CE
 FCT-10CE FCT-12CE**DESCRIPTION:**

Will be a Market Forge Self-Generating, Counter-top Tilting Kettle, with Hand Crank.

 FCT-4CE 4 Gallon *16 Liter Capacity*
 FCT-6CE 6 Gallon *23 Liter Capacity*
 FCT-10CE 10 Gallon *38 Liter Capacity*
 FCT-12CE 12 Gallon *45 Liter Capacity*

Kettle will be constructed of welded satin finish, type 316, stainless steel. The kettle will be jacketed by an outer kettle, which encloses heating element, water and anti-freeze required to generate steam. Heating element can be easily removed for service and will automatically shut off when kettle is tilted to prevent element damage. Kettle will be equipped with crank handle with positive stop.

Water Tight Controls will be integrally mounted to the kettle and control console and includes an on-off switch, solid state temperature controller with pilot light, low water shut off light, pressure/vacuum gauge, pressure safety valve, and air bleed vent. Kettle will operate in a temperature range of approximately 100° to 298°F (38°-148°C) at a pressure not to exceed 50 PSI (3.5 kg/cm²). Mounting base will include kettle mounting lugs concealed inside a rectangular enclosure.*FCT-6CE Show on Optional
Stainless Steel Stand with Sink/Drain***OPERATION SHALL BE BY:** *Optional at extra cost.
Electrically, self-generating closed steam system equipped for operation on:

-
- 208 VAC,
-
- 1 Phase or
-
- 3 Phase, 50/60 Hz.
-
-
- 240 VAC,
-
- 1 Phase or
-
- 3 Phase, 50/60 Hz.
-
-
- *480 VAC, 3 Phase, 50/60 Hz.
-
-
- 220/380 VAC, 3 Phase 4 wire 50Hz.
-
-
- 240/415 VAC, 3 Phase 4 wire 50Hz.

OPTIONAL AT EXTRA COST:

-
- One piece lift off stainless steel cover.
-
-
- Stainless steel wire basket.
-
-
- Stainless Steel Low Open Stand - 20" High.
-
-
- Vegetable Strainer.
-
-
- Stainless Steel Stand with Sink/Drain - 20" High.
-
-
- 12" Single Pantry Faucet, (
- brackets included*
-).
-
-
- 12" Double Pantry Faucet, (
- brackets included*
-).

ELECTRICAL CHARACTERISTICS

MODEL	pH	208V		230V		240V		380V		415V		480V	
		kW	Amp	kW	Amp	kW	Amp	kW	Amp	kW	Amp	kW	Amp
FCT-4CE	1	7.5	36	7.5	32.6	7.5	31.3						
	3	7.5	20.8	7.5	18.8	7.5	18.1	7.5	11.4	7.5	10.4	7.5	9
FCT-6CE	1	7.5	36	7.5	32.6	7.5	31.3						
	3	7.5	20.8	7.5	18.8	7.5	18.1	7.5	11.4	7.5	10.4	7.5	9
FCT-10CE	1	12	57.6	12	52.2	12	50						
	3	12	33.3	12	30.2	12	28.9	12	18.3	12	16.7	12	14.5
FCT-12CE	1	12	57.6	12	52.2	12	50						
	3	12	33.3	12	30.2	12	28.9	12	18.3	12	16.7	12	14.5

The manufacturer reserves the right to modify materials and specifications without notice.

SPEC SHEET: S-4864C
03/12FOOD SERVICE EQUIPMENT
Countertop Kettle**MARKET FORGE**
INDUSTRIES INC.
*An Employee Owned Company*35 Garvey Street • Everett • MA • 02149
Tel: (617) 387-4100 • Fax: 1-800-227-2659 (Ex. MA) • (617) 387-4456 (MA and Overseas)
E-Mail: CUSTSERV@mfii.com • Website: www.mfii.com

E

**4, 6, 10 & 12 GALLON
SELF-CONTAINED TILTING ELECTRIC KETTLE
WITH HAND CRANK**

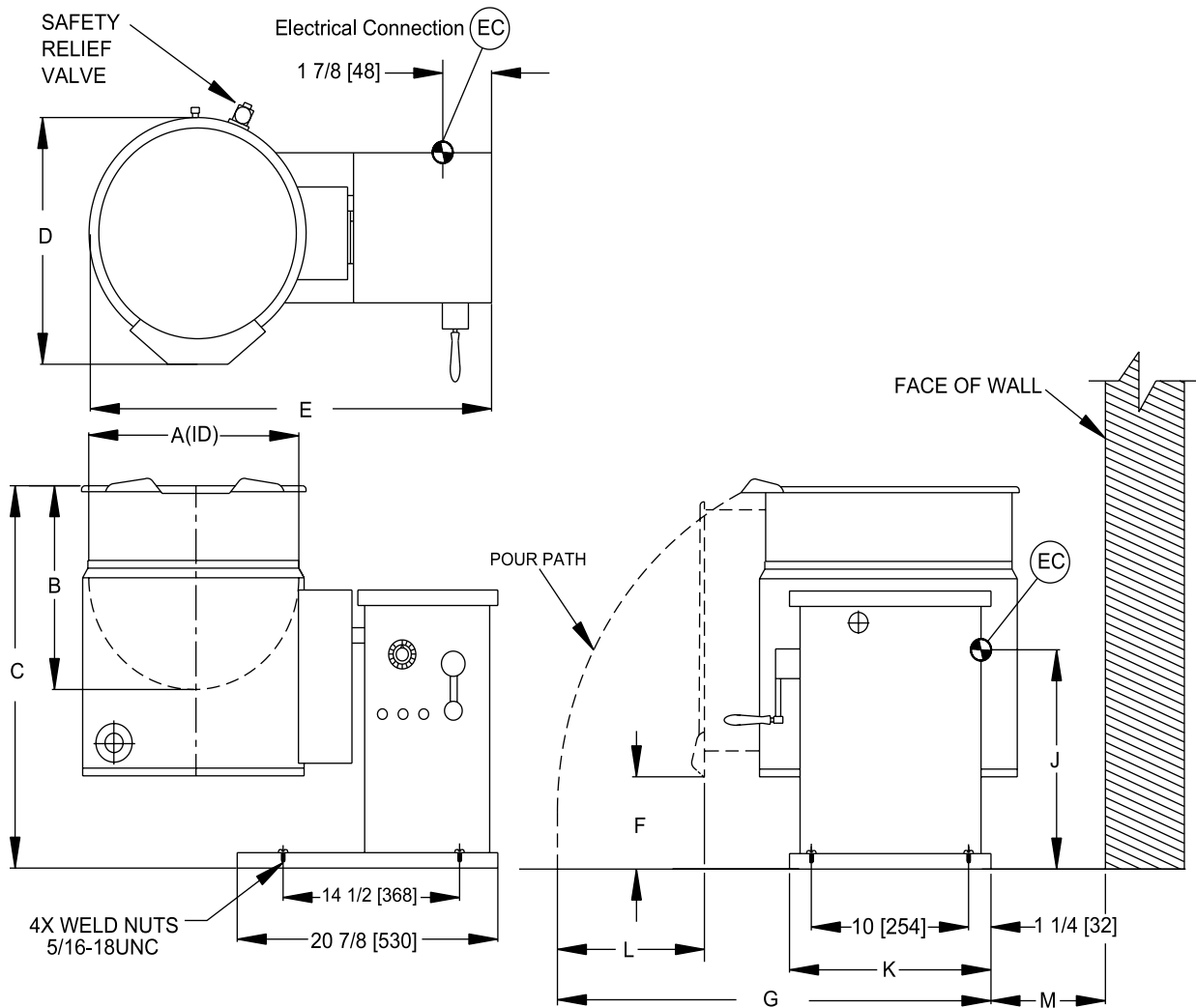
JOB NAME: _____

ITEM NO.: _____

NO. REQUIRED: _____

CAPACITY

MODEL	CAPACITY		A	B	C	D	E	F	G	H	J	K	L	M
FCT-4CE	4 Gal. 16 Liters	in mm	12 305	--	--	15 387	25 638	4 102	28 711	6 1/8 156	13 330	12 3/4 324	10 254	6 1/8 156
FCT-6CE	6 Gal. 23 Liters	in mm	12 305	14 356	25 638	15 387	25 638	4 102	28 711	6 1/8 156	13 330	12 3/4 324	10 254	6 1/8 156
FCT-10CE	10 Gal. 38 Liters	in mm	16 406	15 381	25.5 648	19 486	28 7/8 734	4 102	28 711	6 1/8 156	13 330	12 3/4 324	12 3/4 324	6 1/8 156
FCT-12CE	12 Gal. 45 Liters	in mm	16 406	17 432	27.5 699	19 486	28 7/8 734	4 102	30 762	6 1/8 156	13 330	12 3/4 324	12 3/4 324	6 1/8 156

SPEC SHEET: S-4864C
03/12FOOD SERVICE EQUIPMENT
Countertop Kettle

It is our policy to build equipment which is design certified by U.L., N.S.F. and C.S.A. However, a continuing program of product improvement makes it necessary to submit new models to the agencies as they are developed and consequently not all models bear the appropriate agency labels at all times.



MARKET FORGE
INDUSTRIES INC.
An Employee Owned Company



PRINTED IN U. S. A.

35 Garvey Street • Everett • MA • 02149
Tel: (617) 387-4100 • Fax: 1-800-227-2659 (Ex. MA) • (617) 387-4456 (MA and Overseas)
E-Mail: CUSTSERV@mfi.com • Website: www.mfi.com

KaTom Restaurant Supply, Inc.