

STAINLESS STEEL KETTLE MOUNTING TABLE

JOB NAME: _____

ITEM NO.: _____

NO. REQUIRED: _____

MODELS

- FKT-26 - 26" [660mm] wide kettle table
- FKT-40 - 40" [1016mm] wide kettle table
- FKT-50 - 50" [1270mm] wide kettle table
- FKT-64 - 64" [1626mm] wide kettle table
- FKT-80 - 80" [2032mm] wide kettle table

DESCRIPTION

Will be a Market Forge type 304 stainless steel mounting table. Table will be equipped with a movable, stainless steel splash guard and a 3-1/4" (83mm) E perforated drain that can be piped or placed over a floor drain or pan. Kettles are standard with 316 type stainless steel. Table will be 22" (559mm) high by 24" (609mm) front-to-back. Bullet feet will be 1-1/2" (38mm) high with a 1-1/4" (32mm) adjustment.

CAPACITY

- FKT-26 - (1) 6, 10 or 12 gallon kettle
- FKT-40 - (2) 6, 10 or 12 gallon kettles
- FKT-50 - (1) 6 & (1) 10 gallon kettle or
(1) 10 & (1) 20 gallon kettle or
(1) 12 & (1) 20 gallon kettle
- FKT-64 - (2) 20 gallon kettles or
(3) 6, 10 or 12 gallon kettles
- FKT-80 - (4) 6, 10 or 12 gallon kettles or
(2) 12 & (2) 10 gallon kettles or
(2) 20 & (1) 12 gallon kettle

SHIPPING WEIGHT

- FKT-26 - 150 lbs (68 kg)
- FKT-40 - 210 lbs (95 kg)
- FKT-50 - 235 lbs (107 kg)
- FKT-64 - 295 lbs (134 kg)
- FKT-80 - 355 lbs (161 kg)



(2) FT-6 Kettles on FKT-40 Table shown

OPTIONS & ACCESSORIES

(at additional charge)

- **Pantry Faucets**
 - Single Pantry Faucet with Swing Spout and Mounting Bracket
 - Double Pantry Faucet with Swing Spout and Mounting Bracket
- One piece Lift-Off Stainless Steel Cover
- Stainless Steel Wire Basket
- Steam Trap

FOOD SERVICE EQUIPMENT
Kettle Mounting Table



MARKET FORGE
INDUSTRIES INC.

STAINLESS STEEL KETTLE MOUNTING TABLE

DETAILS & DIMENSIONS

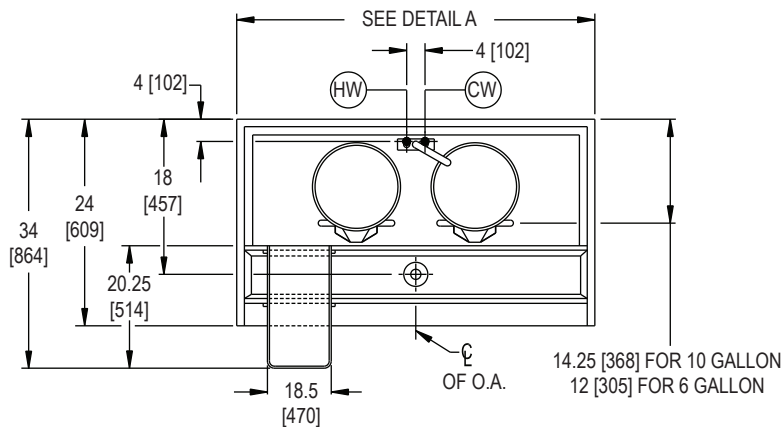
SERVICE CONNECTIONS

S	Steam Supply - 3/4" 19mm IPS for incoming steam at 15-50 PSI (1.0-3.5kg/cm2).
HW	Hot Water - 1/2" 13mm OD tubing for hot water to kettle fill faucet.
CW	Cold Water - 1/2" 13mm OD tubing for cold water to kettle fill faucet.
D	Drain - Pipe full 2" 50mm IOS to flush floor drain. DO NOT MAKE SOLID CONNECTION TO FLOOR DRAIN.
CR	Condensate Return - 1/2" 13mm IOP condensate return from kettle.

NOTE: It is advisable to plumb a steam shut-off valve in the steam line ahead of the safety valve.

NOTE: A pressure reducing valve is required if incoming pressure exceeds 50 PSI (3.5kg/cm2).

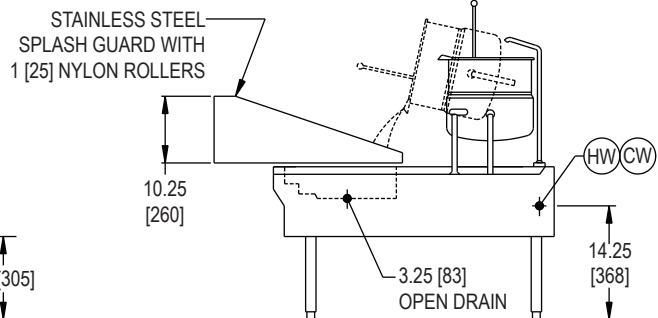
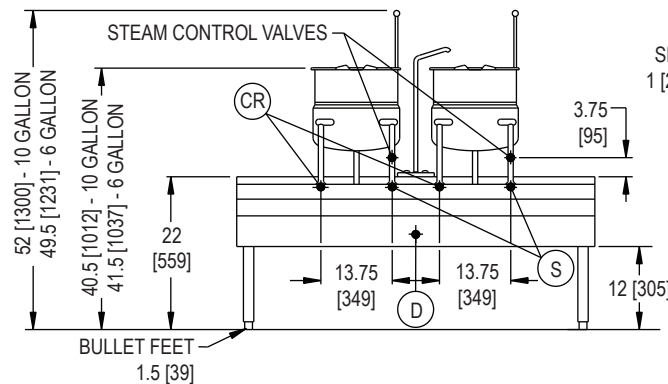
FOOD SERVICE EQUIPMENT
Kettle Mounting Table



DIMENSIONS ARE IN INCHES [MM]

DETAIL A

26 [660]	- FKT-26
40 [1016]	- FKT-40
50 [1270]	- FKT-50
64 [1625]	- FKT-64
80 [2032]	- FKT-80



It is our policy to build equipment which is design certified by U.L., E.T.L., A.S.M.E., N.S.F. and C.S.A. However, a continuing program of product improvement makes it necessary to submit new models to the agencies as they are developed and consequently not all models bear the appropriate agency labels at all times.

The manufacturer reserves the right to modify materials and specifications without notice.

PRINTED IN U. S. A.
SPEC SHEET: 14-0134 Rev B (2/16)



MARKET FORGE
INDUSTRIES INC.

44 Lakeside Avenue, Burlington, VT 05401 USA • Tel: (802) 658-6600 • Fax: (802) 864-0183
www.mfii.com