

D

OYSTER COOKERS

JOB NAME: _____

ITEM NO.: _____

NO. REQUIRED: _____

MODELS

- FT-2 - Two quart tilting oyster cooker

DESCRIPTION

Shall be a Market Forge Tilting Oyster Cooker complete with matching stainless steel removable dome lid. Unit shall be capable of being operated at any steam pressure between 5-15 PSI (34.5 - 103kPa). Unit shall be of type 316 stainless steel construction with one piece welded steam jacketed cooker. Unit exterior shall be a satin finish to ensure ease of cleaning.

Cooker will tilt on kettle trunnions have dependable high temperature "O" ring seals. Ease of tilting is provided with a tilt handle located on the right side of the cooker. Oyster Cooker will be built to A.S.M.E. code and will be N.S.F. approved.

The unit is supported by left and right legs while a rigid center leg provides level support. The right leg shall have a steam control valve to regulate steam flow into the cooker jacket. The left leg provides a means of removing condensate from the jacket.

OPERATION SHALL BE BY:

Direct steam at 5-15 PSI (34.5 - 103kPa). If steam supply exceeds 15 PSI (103kPa) a pressure reducing valve is required.

SHIPPING WEIGHT

- FT-2 - 35 lbs (16 kg)



FT-2 Shown

OPTIONS & ACCESSORIES

(at additional charge)

- Modular design) cabinet base

FOOD SERVICE EQUIPMENT
Oyster Cookers



MARKET FORGE

D

OYSTER COOKERS

DETAILS & DIMENSIONS

SERVICE CONNECTIONS

S	Steam Supply - 1/2" (13mm) NPT for incoming steam at a min of 5 PSI (34.5kPa) and a max of 15 PSI (103kPa).
CR	Condensate Return - 1/2" (13mm) IPS condensate return from cooker may be connected to condensate return line.
SI	Steam Control Valve - Regulates flow of steam into cooker jacket.

DIMENSIONS

	FT-2
A	10 [254]
B	17 [432]
C	8.25 [210]
D	11.88 [325]
E	3 [76]
F	2.5 [63]

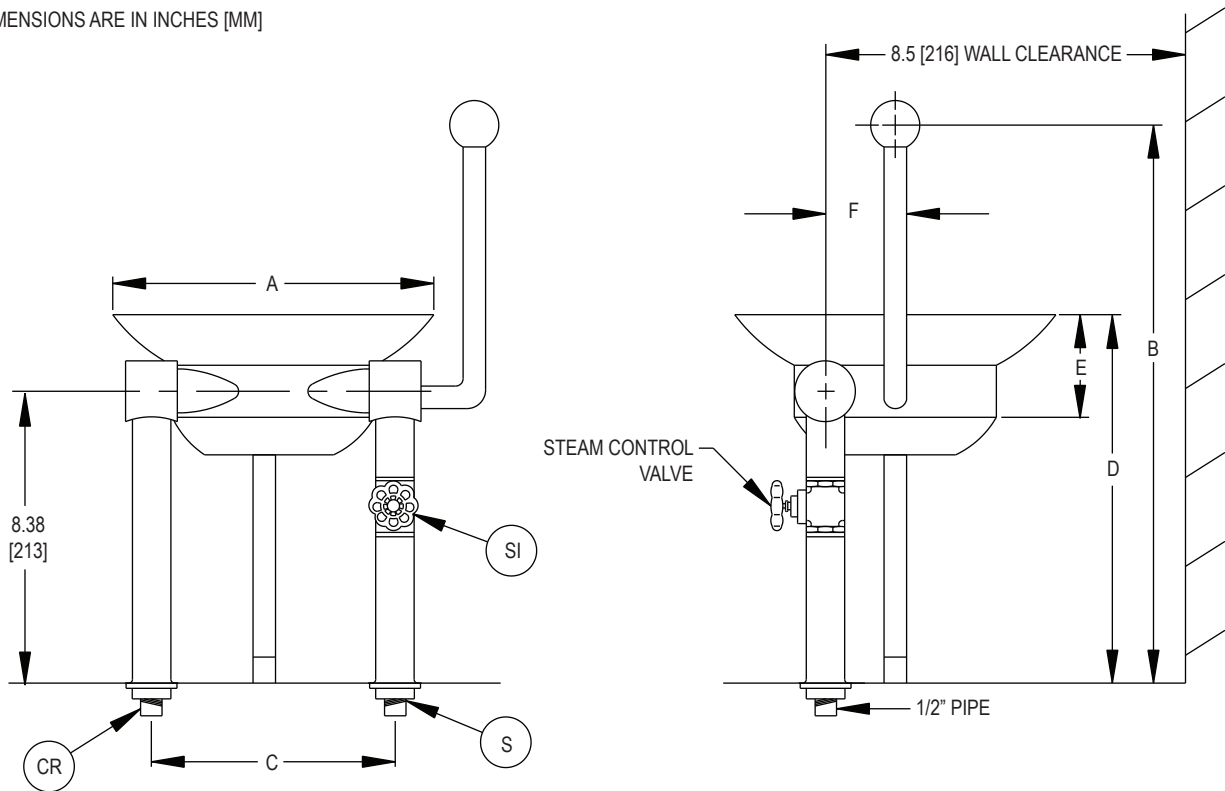
INSTALLATION REQUIREMENTS:

- Remote Steam Source
- Steam Trap
- Safety Relief Valve
- Steam Shut Off Valve

NOTE: It is advisable to plumb a steam shut off valve in the steam line ahead of the safety valve.

FOOD SERVICE EQUIPMENT
Oyster Cookers

DIMENSIONS ARE IN INCHES [MM]



The manufacturer reserves the right to modify materials and specifications without notice.