

ITEM: _____

QTY: _____

MODEL: **M-120IS**

LENGTH: _____

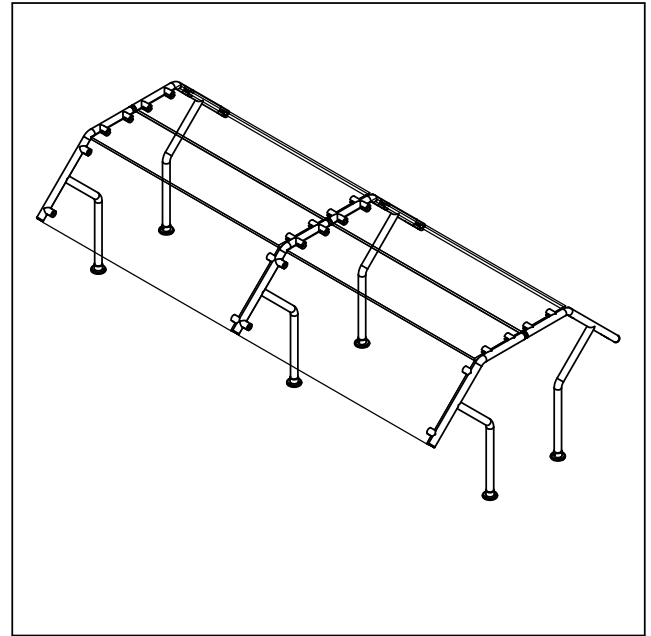
STANDARD SPECIFICATIONS:

Posts

- 1" Diameter stainless steel post
- 2" Diameter stainless steel flange
- Stainless steel glass clips
- Brushed stainless steel finish

Unit

- NSF Certified
- Mounting hardware provided
- Clear tempered glass with polished edges
 - 1/4" glass (max. span 40")
 - 3/8" Glass (max. span 60")



OPTIONS AND ACCESSORIES:

Post Material

- Stainless Steel
- Brass
- Aluminum
- Other _____

Tube Size

- 1 1/2" Diameter
- 2" Diameter
- 1 1/2" Square
- 2" Square
- Other _____

Metal Finish

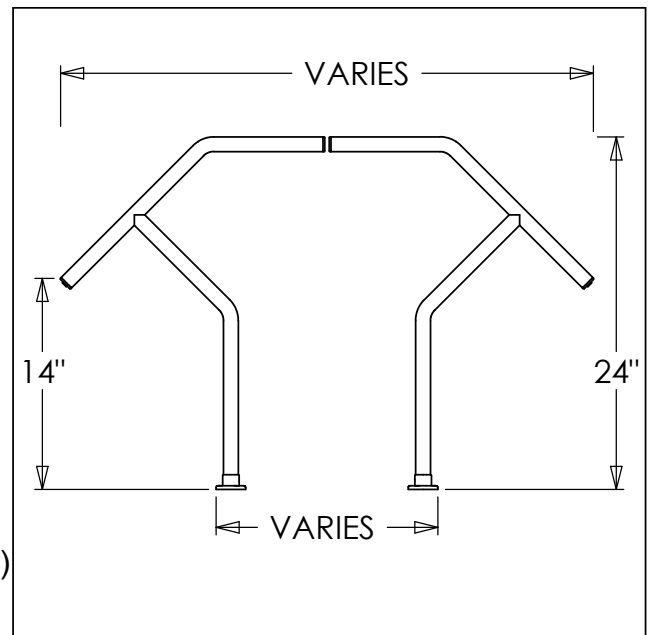
- Brushed #4
- Mirror Polished #8
- Powder Coat Color
RAL# _____
- Other _____

Glass Options

- Frosted
- Pattern
- Frosted logo
- Smoked
- Acrylic
- E-Resin

Accessories

- Glass end panels
- Heat lamps
- Heat lamp with lights
- Fluorescent lights
- Xenon lights
- Cross supports
- Basket (wrapped goods)
- Stainless steel top



U.S. Patents: US D497,739 S
US D472,083 S