

Adjustable Height Metal Cart With Cabinet



AVJ42C



Color Options:

Black

Gray
LG

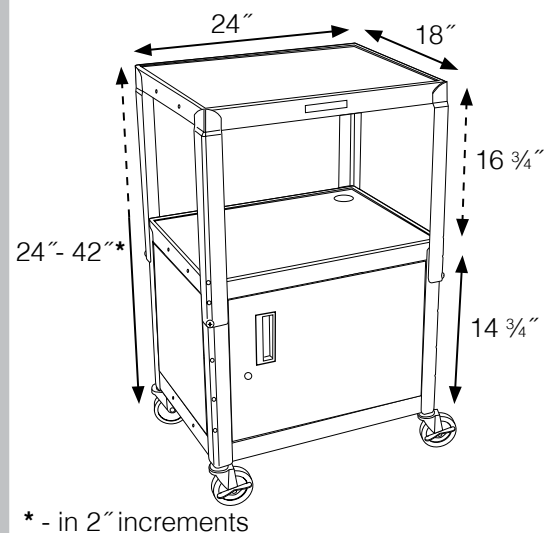
Red
RD

Burgundy
BY

Blue
RB

- Roll formed shelves with powder coat paint finish
- Cable pass through holes
- 3-outlet 15' UL and CSA listed electric
- 1/4" retaining lip around each shelf
- Includes safety mat for top shelf
- Includes a locking steel cabinet

Measurements:



Adjustable height metal tables that includes locking steel cabinet and 3-outlet UL and CSA listed electric assembly with 15' cord. Available with 8" big wheels. 24"W x 18"D. Adjusts in 2" increments from 24" to 42" in height.

