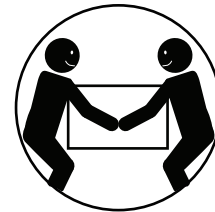
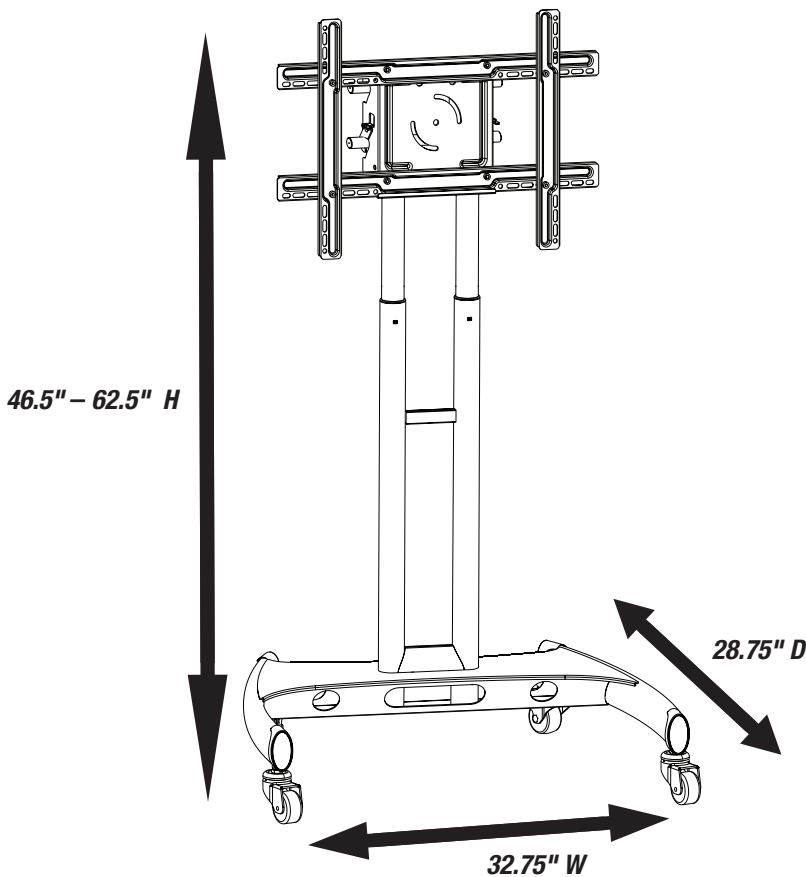


FP2000 - HEIGHT ADJUSTABLE TV STAND MOUNT

Product Specifications:

Item Number	FP2000
Frame Material	Steel
Dimensions	32.75" W x 28.75" D x 46.5" – 62.5" H
TV Size	40" – 60"
VESA	200 x 200 mm – 400 x 600 mm
Weight	53.35 lbs.
Height Adjustment Increments	2"
Height Adjustment Mechanism	Push Buttons
Cable Management	Internal
Casters (4)	2" nylon casters; all with locking brakes
Mount Weight Capacity	100 lbs.
Shipping Method	Freight
Shipping Dims	39" W x 37" D x 6" H
Shipping Weight	54 lbs.
Assembly Required	Yes



**Heavy Lifting:
Assistance
Required**

To Order, Call Your
Sales Representative
or 800-323-4656