

Item No.

Extend Your Shortening Life With the New Portable Filter System from Anets

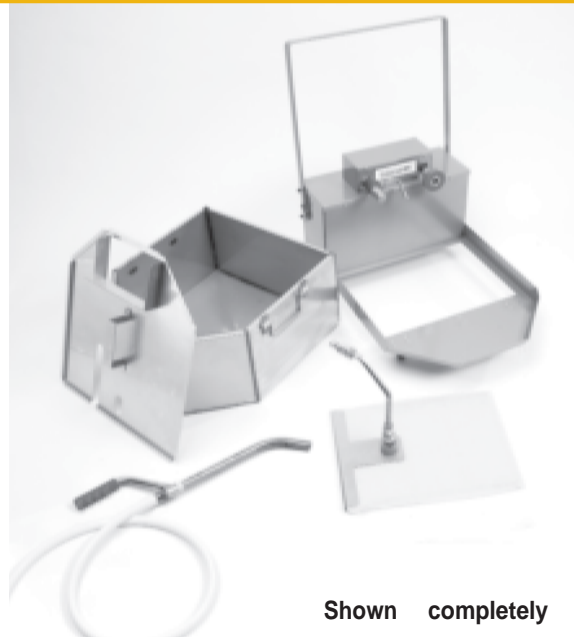
Increase the life of your shortening and flavor of your food by filtering often. This easy to store mobile filter unit removes crumbs and sediment that cause flavor transfer and faster shortening breakdown. The compact system is simple to disassemble using quick disconnects making it very easy to clean. Changing filter envelopes is a snap with the unique and simple Anets design. Serve a great tasting product and save money and time with the Anets Portable Filter System.

STANDARD FEATURES

- New Anets filter screen eliminates clogging utilizing a special envelope style filter paper
- Pump draws from the bottom and top of the filter screen leaving virtually no shortening residue
- Low profile design fits under most fryer drains
- Easy quick disconnect assembly
- Stainless steel filter tank equipped with handles and a separate cover, remove completely from the system for thorough cleaning
- Handle folds down for compact storage
- On/Off switch located away from shortening connections



FFM80 Shown



Shown completely disassembled

ANETS
GoldenFRY™



ANETS

ANETS INC PO BOX 501, CONCORD, NH 03302-0501
509 ROUTE 3A, BOW, NH 03304 TEL: 603-225-6684, FAX:603-225-8497
L10-510 R2 www.anets.com

We reserve the right to change specifications without notice and without incurring any obligation for equipment previously or subsequently sold.

Anets GoldenFry™ Portable Filter System

FFM80/FFM150



SPECIFICATIONS

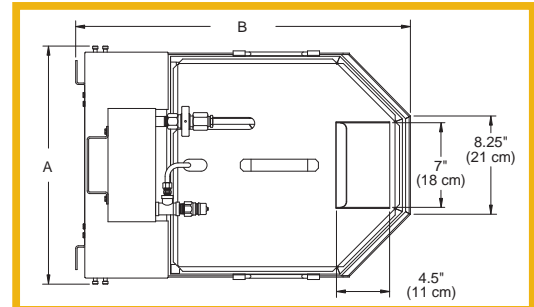
- Model
 - FFM80
 - FFM150
- Certification
 - NSF, UL, CUL
- Electrical Requirements
 - 120V , 1 Phase, 8 Amps
 - 6' cord and plug included
 - 220-240V, 1 Phase, 3 Amps
 - Cord and Plug Not Included
- Motor
 - 1/3 HP
- Pump Speed
 - 5 Gallons per minute
- Shortening Capacity
 - FFM80 - 80 lbs.
 - FFM150 - 150 lbs.
- Casters
 - 2"
- Filter Tank
 - Stainless steel
- Approx. Shipping wt.
 - FFM80, 145 lbs
 - FFM150, 150 lbs

STANDARD ACCESSORIES

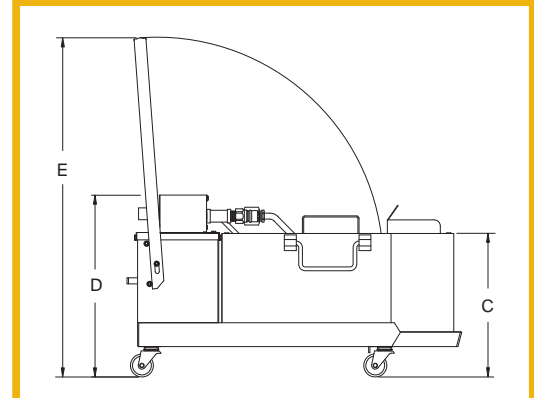
- 5 Envelope Filter Papers
- Hose assembly for shortening disposal

OPTIONS AND ACCESSORIES

- Cleaning brush
- Envelope Filter paper
- 100 Envelope Filter papers



Top View



Side View

	FFM80	FFM150
A	20.00" (51cm)	24.00" (61cm)
B	28.25" (72cm)	32.5" (83cm)
C	12.50" (32cm)	13.50" (34cm)
D	16.00" (41cm)	17.00" (43cm)
E	28.5" (72cm)	31.75" (81cm)



ANETS INC PO BOX 501, CONCORD, NH 03302-0501
 509 ROUTE 3A, BOW, NH 03304 TEL: 603-225-6684, FAX:603-225-8497
 L10-510 R2 www.anets.com

We reserve the right to change specifications without notice and without incurring any
 Obligation for equipment previously or subsequently sold.