



# ELECTRIC CABINET BASE HYDRAULIC TILTING SKILLET



### SPECIFICATIONS:

Shall be a Southbend model \_\_\_\_\_, electrically heated hydraulic tilting skillet c-CSA-us and NSF certified. The unit shall have a spring assisted, hinged, stainless steel cover complete with full width handle, no-drip condensate guide and vent port with swing cover. The pan body shall have a sloped front and be front hinged for tilting and easy pour control and comes with a removable pour strainer. Formed from 10 gauge stainless steel with a #4 finish exterior and polished interior with coved corners for easy cleaning. Cooking surface shall be 5/8" thick stainless steel clad plate for even heat distribution over entire cooking surface. The pan shall be fitted with tubular heating elements clamped to the under side.

The pan shall be mounted on a heavy duty, welded, angle constructed frame fitted with 6" (152 mm) stainless steel legs with adjustable bullet feet on the front and flange feet on the rear for securing to the floor. Enclosed with #4 finished type 304 stainless steel with removable side panel and two stainless steel front cabinet doors.

All controls are mounted in the cabinet base which include temperature thermostat, temperature light, tilt switch, high limit thermostat and hydraulic lift system powered by a 1/2 HP electrical motor for smooth and precise tilting action.

Cooking temperatures are between 160°F - 445°F (70°C - 230°C).

MODEL	kW	CAPACITY	
		GALLON	LITER
BEMTS-30	12	30	114
BEMTS-40	15	40	152

### OPERATION SHALL BE BY:

Electric heating elements equipped for operation on:

- 208 VAC, 1 phase, 60 Hz
- 208 VAC, 3 phase, 60 Hz
- 220 VAC, 1 phase, 50 Hz
- 220 VAC, 3 phase, 50 Hz
- 240 VAC, 1 phase, 60 Hz
- 240 VAC, 3 phase, 60 Hz
- 380/220 VAC, 3 phase, 50 Hz. 4-wire
- 415/240 VAC, 3 phase, 50 Hz. 4-wire

### OPTIONAL ITEMS AT EXTRA COST:

- 380 VAC, 3 phase, 50/60 Hz
- 480 VAC, 3 phase, 50/60 Hz
- 600 VAC, 3 phase, 60 Hz
- 18 kW elements (40 gallon only)
- Etched gallon markings (GMS-30, GMS-40)
- Etched liter markings (LMS-114, LMS-152)
- 2" (51 mm) draw-off valve with strainer, front or side mounted (TVT-2BP)
- 3" (76 mm) draw-off valve with strainer, side mounted (TVT-3BP)
- Correctional package

### ACCESSORIES:

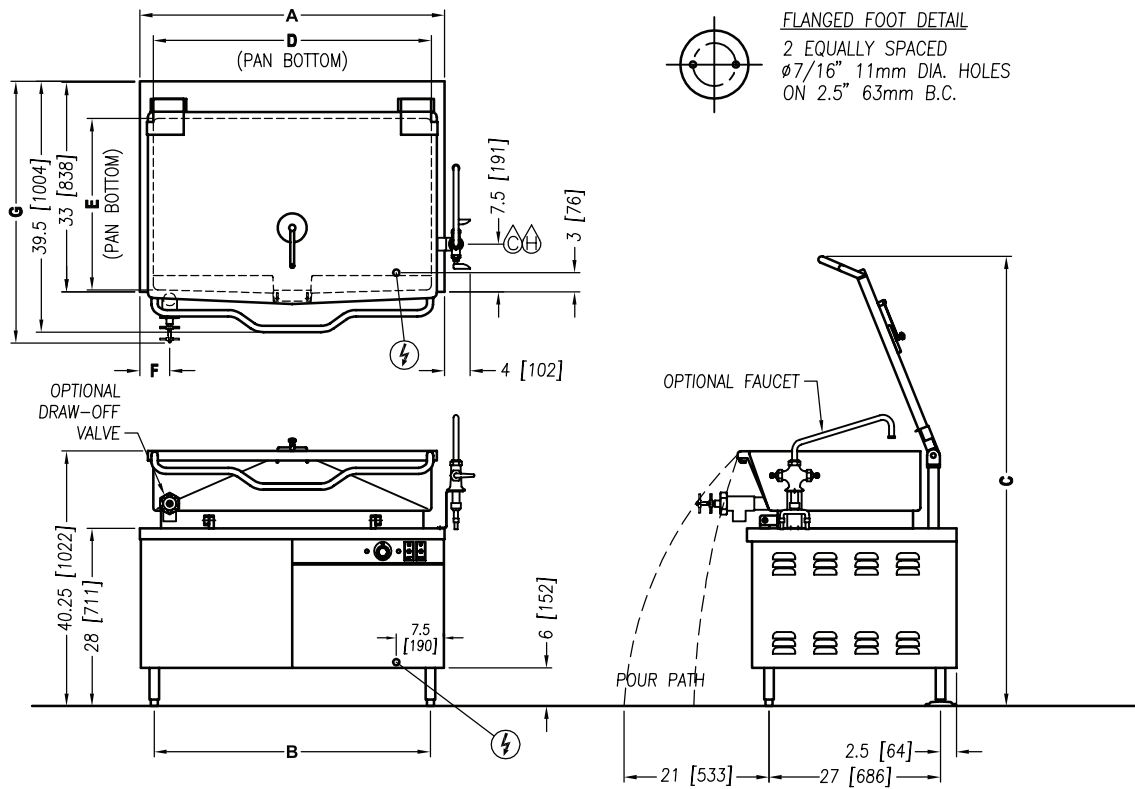
- Pan carrier (PC-1)
- Steam pan insert (SPI-30, SPI-40)
- 12" Single pantry faucet with swing spout (SF-12)
- 12" Double pantry faucet with swing spout (DF-12)
- 3" Stainless steel faucet plumbing enclosure (3139-1)
- Single pantry faucet and bracket with 60" pot filler (SP-KF)
- Double pantry faucet and bracket with 60" pot filler (DP-60)

Job \_\_\_\_\_  
Item# \_\_\_\_\_



Models:  BEMTS-30

BEMTS-40



**DIMENSIONS**

MODEL	CAPACITY	SHIPPING WEIGHT	UNITS	A	B	C	D	E	F	G		MINIMUM CLEARANCE	
										Ø2	Ø3	SIDES	
BEMTS-30	30 Gallons (114 liters)	617 lbs. [280 kg]	inches (millimeter)	36" (914 mm)	30" (762 mm)	70.875" (1800 mm)	33.5" (851 mm)	23.5" (597 mm)	3.75" (95 mm)	41.13" (1045 mm)	46.75" (1187 mm)	SIDES	0
BEMTS-40	40 Gallons (152 liters)	770 lbs [349 kg]	inches (millimeter)	48" (1219 mm)	42" (1076 mm)	70.875" (1800 mm)	43.5" (1105 mm)	23" (584 mm)	4.75" (121 mm)	41.63" (1057 mm)	46.13" (1172 mm)	BACK	4" (102 mm)

**ELECTRICAL RATINGS**

MODEL	kW	PHASE	AMPS PER LINE						
			208V	220V	240V	380V	415V	480V	600V
BEMTS-30	12	1	62.4 A	58.6 A	53.9 A	N/A	N/A	N/A	N/A
		3	37.7 A	35.6 A	32.8 A	20.6 A	18.9 A	16.3 A	13.0 A
BEMTS-40	15	1	76.5 A	72.3 A	66.4 A	N/A	N/A	N/A	N/A
		3	46.0 A	43.5 A	40.0 A	25.2 A	23.1 A	19.9 A	15.9 A
BEMTS-40	18	1	90.9 A	85.9 A	78.9 A	N/A	N/A	N/A	N/A
		3	54.4 A	51.3 A	47.2 A	29.7 A	27.2 A	23.6 A	18.8 A

**SERVICE CONNECTIONS**

- Electrical connection to be as specified on data plate
- Cold Water: 3/8" O.D. tubing to optional faucet
- Hot Water: 3/8" O.D. tubing to optional faucet

**INTENDED FOR COMMERCIAL USE ONLY.  
 NOT FOR HOUSEHOLD USE.**



1100 Old Honeycutt Road, Fuquay-Varina, NC 27526  
 (919) 762-1000 www.southbendnc.com