



SPECIFICATIONS:

Shall be a Model _____, pressure and pressureless compartment cooker with electric steam boiler. The cooker shall be constructed of all-welded satin finish stainless steel, type 304. The doors shall have a removable inner liner of aluminum plate with full perimeter gasket seal, an outer liner of one-piece all-welded stainless steel, and a wheel-and-screw closing mechanism. The doors, with a clear opening of 10-1/4" x 26-3/8", shall latch upon closing and shall open 15° upon latch release.

The lower compartment shall be a pressure cooker only and shall operate at a maximum pressure of 6 psi (41kPa). The upper compartment shall be either a pressureless free-venting cooker or a pressure cooker operating at a maximum of 6 psi (41kPa), as selected by the operator.

The control housing shall be constructed of stainless steel with a full-access removable panel. Each compartment shall have independent automatic timer controls with visual and audible signals. In the lower compartment and the pressure mode of the upper compartment, the controls automatically shut off and exhaust the incoming steam, drain the condensate from the compartment and sound a continuous signal until turned off manually. In the pressureless mode of the upper compartment, the controls shall also include a mode selector switch and a steam flow cut-off when the door is opened.

Top cooking compartment shall have support for three slide-out shelves (one shelf standard).

Bottom cooking compartment shall have either removable shelf supports with one slide-out shelf (second shelf optional) or removable universal pan supports. The capacities shall range as follows:

- Shelf supports: Four full size (1/1 gastronorm) pans, 2-1/2" or 4" (64mm or 100mm) deep.
- Universal supports: Eight full size (1/1 gastronorm) pans, 2-1/2" (64mm) deep, or four full size (1/1 gastronorm) pans, 4" (100 mm) deep.

The compartment cooker shall be mounted on a cabinet base with full perimeter angle frame, reinforced counter and boiler mountings, electric boiler with controls which shall include the following as standard, automatic water level control, pressure gauge, water gauge glass, pressure control with secondary safety pressure control, air vent, safety relief valve and cathodic descaler. Thermostatically controlled cold water shall automatically condensate exhausted steam into water before releasing it to the drain. The cabinet shall be all stainless steel #4 finish type 304, hinged doors and 6" (152mm) stainless steel legs fitted with adjustable bullet feet on the front and flanged on the rear.

| Model | Compartments | Capacity |
|-------|--------------|------------|
| EDA-2 | 2 | 8-16 Pans |
| EDA-3 | 3 | 12-24 Pans |

OPERATION SHALL BE BY:

Electrically heated steam boiler operating at 15 psi (103 kPa) and rated at 42 KW with automatic boiler blow down.

The steam boiler shall be equipped for operation on:

- 208 VAC, 3 Phase, 50/60 Hz
- 240 VAC, 3 Phase, 50/60 Hz

OPTIONAL ITEMS AT EXTRA COST:

- 220 VAC, 1 Phase, 50/60 Hz
- 220 VAC, 3 Phase, 50/60 Hz
- 380 VAC, 3 Phase, 50/60 Hz
- 415 VAC, 3 Phase, 50/60 Hz
- 480 VAC, 3 Phase, 50/60 Hz
- 415/240 VAC, 3 Phase, 4 wire
- 380/220 VAC, 3 Phase, 4 wire
- California code
- CSD-1
- Stainless steel rear panel
- Automatic blow down
- Front flange feet
- Split water lines





ACCESSORIES:

- Extra shelf
- 12" x 20" x 2-1/2" perforated stainless steel pan
- 12" x 20" x 2-1/2" solid stainless steel pan
- 12" x 20" x 4" perforated stainless steel pan
- 12" x 20" x 4" solid stainless steel pan
- Steam take-off kit
- Delimiting kit
- Ball float trap
- Water in "Y" strainer
- Spray and rinse assembly



Models: EDA-2S

SERVICE CONNECTIONS

-  – ELECTRICAL CONNECTION: 1/2" conduit connection to controls. 2 AMPS per compartment, 120-60-1 or 220-50-1.
-  – DRAIN: 2" IPS piped to open floor drain. No solid connection.
-  – STEAM TAKE-OFF CONNECTION: 3/4" IPS optional to operate adjacent equipment.
-  – COLD WATER: 3/8" O.D. tubing at 25-50 PSI (170 - 345kPa).

WATER QUALITY STATEMENT

Water quality is the major factor affecting the performance of your appliance. If you are unsure of water quality, consult a local water treatment specialist and have the water analyzed. Your water supply must be within these general guidelines:

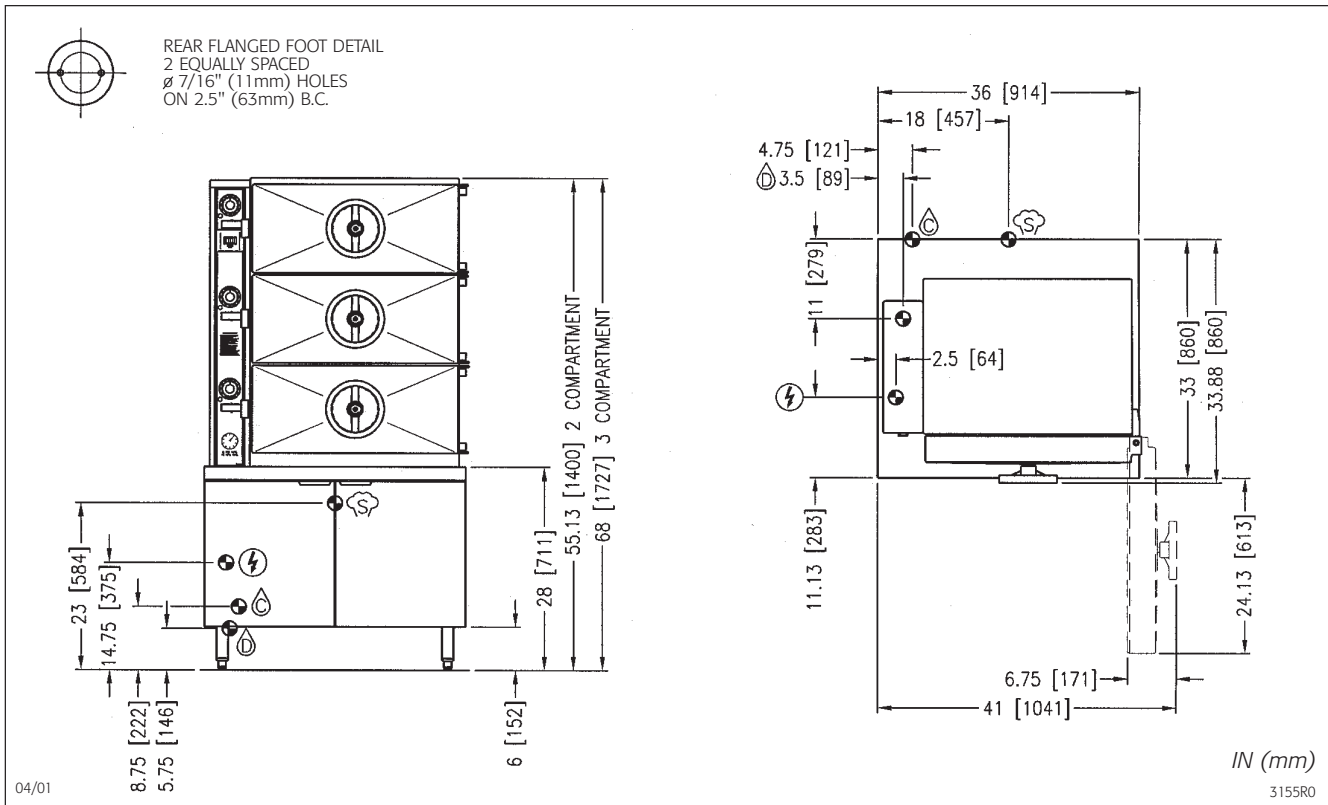
| | |
|------------------------|-------------------|
| Total dissolved solids | Less than 60 PPM |
| Total alkalinity | Less than 20 PPM |
| Silica | Less than 13 PPM |
| Chlorine | Less than 1.5 PPM |
| pH Factor | 7.0 - 8.5 |

Water which fails to meet these standards should be treated by installation of water conditioner.

FAILURE OR MALFUNCTION OF THIS APPLIANCE DUE TO POOR WATER QUALITY IS NOT COVERED UNDER WARRANTY.

ELECTRICAL CHARACTERISTICS

| MODEL | PH | 208V | | 220V | | 240V | | 380V | | 415V | | 480V | |
|----------|----|------|-------|------|-------|------|-------|------|------|------|------|------|------|
| | | KW | AMP | KW | AMP | KW | AMP | KW | AMP | KW | AMP | KW | AMP |
| EDA-2 or | 3 | 42 | 116.6 | 42 | 110.2 | 42 | 101 | 42 | 63.8 | 42 | 58.4 | 42 | 50.5 |
| EDA-3 | 3 | 48 | 133.2 | 48 | 126 | 48 | 115.5 | 48 | 72.9 | 48 | 66.8 | 48 | 57.7 |



**INTENDED FOR COMMERCIAL USE ONLY.
NOT FOR HOUSEHOLD USE.**



1100 Old Honeycutt Rd., Fuquay-Varina, NC 27526
www.southbendnc.com