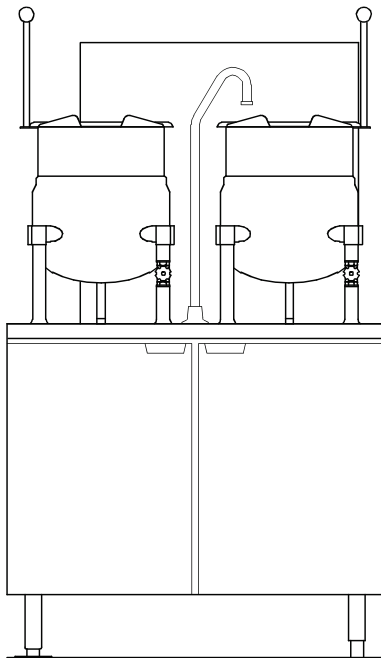




DIRECT STEAM KETTLE ON 48" GAS BOILER BASE



MODEL	DESCRIPTION	CAPACITY (PER KETTLE)	
		GALLON	LITER
GMT-6-6	Two 6 gallon kettle on 48" gas boiler base	6	23

OPERATION SHALL BE BY:

Gas operated 15 psi (103 kPa) steam boiler operating on 115 VAC, 1 phase, 50/60 Hz rated at 250,000 BTU.

- Natural gas
- L.P. gas

STANDARD FEATURES:

- Electronic ignition
- CSD-1
- Automatic blowdown
- Split water lines (boiler feed and condensate)

OPTIONAL ITEMS AT EXTRA COST:

- 208-240 VAC specify voltage
- 300,000 BTU boiler
- California code
- Etched gallon markings
- Etched liter markings
- Correctional package
- Stainless steel frame (SSF-42)

OPTIONAL ITEMS AT EXTRA COST:

- One piece stainless steel lift off cover
- Lift-out stainless steel basket strainer
- Graduated measuring strip
- Steam take off kit
- De-lime kit DPA-1(not available with CSD-1)

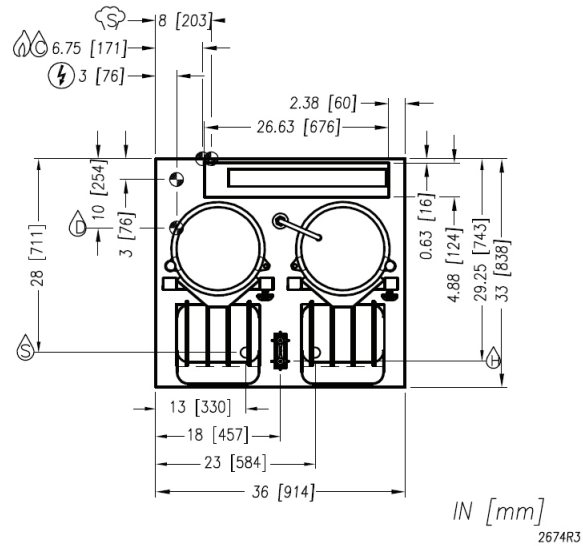
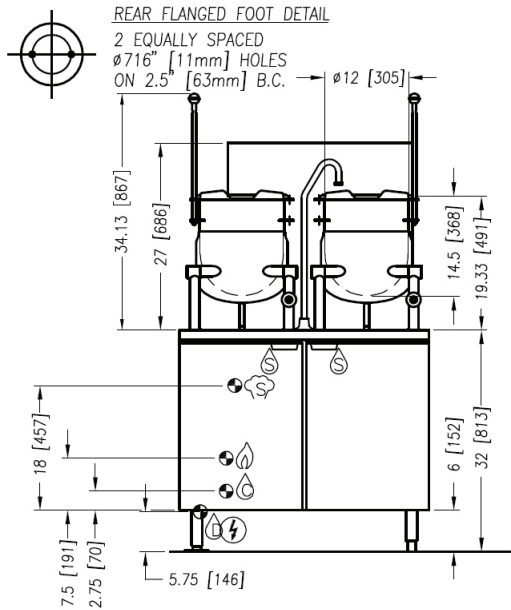
SPECIFICATIONS:

Shall be a Southbend Model GMT-6-6 , consisting of two direct connected steam, tilting kettles, 6 gallon (23 litre). A double wall kettle interior shall form a steam jacket around the lower 2/3 of the kettle. The bottom of the kettle shall be of hemispherical design for superior heat circulation. The liner shall be of 316 stainless steel for high acid content products. The stainless steel mounting legs shall have the steam supply and condensate within the legs and the right leg fitted with a steam control valve for the kettle. Each kettle shall be fitted with a tilt handle and heat proof knob, allowing the kettles to be tilted forward 90 for complete emptying.

The kettles mounted on a cabinet base with full perimeter angle frame, reinforced counter, hot and cold water faucet with control valves, 3" (76 mm) deep sinks with drain and splash guard grates, boiler mountings, gas boiler with controls, hinged doors with magnetic catches, removable side panels and 6" (152 mm) stainless steel legs fitted with adjustable bullet feet on front and flanged adjustable feet on rear for securing to the floor, all #4 stainless steel exterior. Steam manifold canceled within cabinet fitted with steam trap and safety relief valve.

Job
#





NOTE: SPLASH GUARD NOT SHOWN ON FRONT VIEW.

IN [mm] 2674R3

MODEL	BOILER INPUT		SHIPPING WEIGHT	MINIMUM CLEARANCE
	BTU/HOUR	KW/HOUR		
GMT-6-6	250,000	73.3	450 lbs. (204 kg)	SIDES 3 (76mm) BACK 6 (152mm)
	300,00	87.9		

- ⚡ – ELECTRICAL CONNECTION: 1/2" (13 mm) conduit connection to controls. 120 VAC-60Hz-1PH. 2 Amps per compartment or as specified on data plate.
- Ⓓ – DRAIN: 2" (51 mm) IPS piped to open floor drain. No solid connection.
- Ⓒ – COLD WATER: 3/8" (10 mm) O.D. tubing at 25-50 PSI (170-345 kPa). (OPTIONAL)
- Ⓗ – HOT WATER: 3/8" (10 mm) O.D. tubing at 25-50 PSI (170-345 kPa)
- Ⓕ – GAS CONNECTION: 3/4" (19 mm) IPS supply line required.
- Ⓔ – STEAM TAKE-OFF CONNECTION: 3/4" (19 mm) IPS optional to operate adjacent equipment.
- Ⓕ – SINK DRAIN: 1 1/8" O.D. tubing

WATER QUALITY STATEMENT

Water quality is the major factor affecting the performance of your appliance. If you are unsure of water quality, consult a local water treatment specialist and have the water analyzed. Your water supply must be within these general guidelines:

- Total dissolved solidsLess than 60 PPM
- Total alkalinityLess than 20 PPM
- Silica.....Less than 13 PPM
- ChlorineLess than 1.5 PPM
- pH Factor7.0 - 8.5

Water which fails to meet these standards should be treated by installation of water conditioner.

FAILURE OR MALFUNCTION OF THIS APPLIANCE DUE TO POOR WATER QUALITY IS NOT COVERED UNDER WARRANTY. CONTACT SOUTHBEND FOR WATER QUALITY SOLUTIONS.

**INTENDED FOR COMMERCIAL USE ONLY.
NOT FOR HOUSEHOLD USE.**



1100 Old Honeycutt Road, Fuquay-Varina, NC 27526
(919) 762-1000 www.southbendnc.com