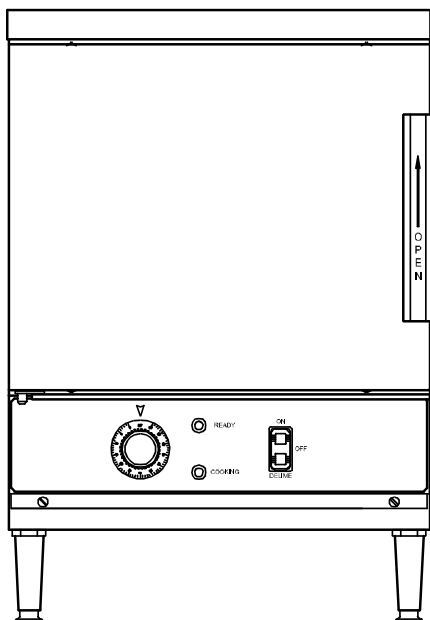




ELECTRIC COUNTER STEAMER AUTO FILL, AUTO DRAIN



Model shown is an R18A-4

SPECIFICATIONS:

Shall be a Southbend model **R18A-4 (4 pan)** counter convection steamer with electric steam generator, c-CSA-us and NSF certified. Unit shall be constructed of #4 finish 304 stainless steel with a one piece welded 316 stainless steel cooking chamber with coved corners. The door shall have a removable inner liner of stainless steel with full perimeter gasket seal, an outer liner of one-piece all welded stainless steel, and a positive lock and seal mechanism. The steamer shall be provided with removable stainless steel pan supports and adjustable leveling feet.

The control housing shall be constructed of stainless steel with a full access removable panel. The controls shall include an illuminated three way power switch (On / Off / De-lime), a pilot ready light, a pilot cook light, 60 minute electric timer with audible alarm at the end of the cooking cycle. Steam flow to the cooking chamber shall be interrupted when the door is opened and shall be reactivated when door is closed. Standard features include a de-liming port located at the rear of the generator tank, de-lime mode power setting, automatic blow-down valve, solid state liquid level controls and split water connections for simple hook up to a water treatment system.

The steamer is constructed so that it may be mounted flush to a counter top or on 4" (102 mm) legs. The steamer may also be stacked using a stacking kit.

SEE REVERSE SIDE OF SPEC SHEET FOR WATER TREATMENT SYSTEM STATEMENTS

Model	Compartment Pan Capacity			
	PanDepth			
	1"	2-1/2"	4"	6"
R18A-4	8	4	2	2

OPERATION SHALL BE BY:

Electrically heated steam generator operating at 0 psi (0kPa) with field replaceable elements rated at 10 kW.

The steam generator shall be equipped for operation on:

- 208 VAC, 10 kW, 3 Phase, 50/60 Hz. *
- 240 VAC, 10 kW, 3 Phase, 50/60 Hz. *
- 220 VAC, 8.4 kW, 3 Phase, 50/60 Hz. *

*** UNIT SHALL BE FIELD CONVERTIBLE TO SINGLE PHASE**

STANDARD FEATURES:

- 304 stainless steel exterior.
- 316 stainless steel cooking chamber with coved corners.
- Heavy gauge stainless steel door with full perimeter gasket.
- Positive lock and seal mechanism with spring release door.
- Illuminated power switch.
- Ready indicator light.
- Cooking indicator light.
- 60 minute electromechanical timer with end of cycle audible alarm.
- Removable stainless steel pan supports.
- Electromechanical controls.

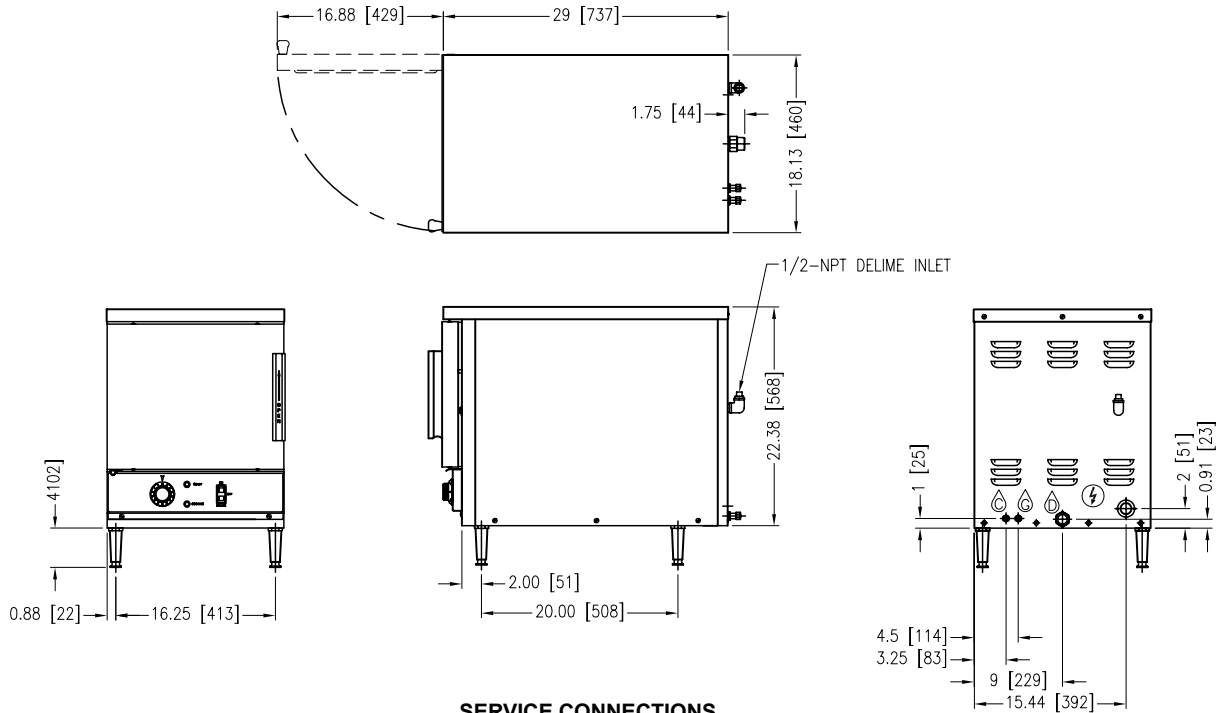
OPTIONS AND ACCESSORIES:

- 380 VAC, 8.4 kW, 3 phase, 50/60 Hz.
- 415 VAC, 10 kW, 3 phase, 50/60 Hz.
- 380/220 VAC, 8.4 kW, VAC, 3 Phase, 50/60 Hz 4 wire
- 415/240 VAC, 10 kW, VAC, 3 Phase, 50/60 Hz 4 wire
- 120 minute timer
- Constant steam feature
- Correctional package
- Load compensating timer
- High sensitivity level controls (R.O. water)
- 4" adjustable legs
- Stacking kit for (2) units
- 28" high single unit stand and double unit stacking stands available (Contact factory for details)

Job # Item #



Models: R18A-4



SERVICE CONNECTIONS

- ⚡ – ELECTRICAL CONNECTION: \varnothing 1 1/8" hole for electrical connection. Rating to be as specified on data plate.
- 💧 – COLD WATER: 3/8" (10 mm) O.D. tubing at 25-50 psi (170-345 kPa).
- 💧 – GENERATOR WATER: 3/8" (10 mm) O.D. tubing at 25-50 psi (170-345 kPa).
- Ⓜ – DRAIN: 1" (13 mm) NPT

ELECTRICAL CHARACTERISTICS

MODEL	AMPS/PHASE							
	208V, 10 kW		220V, 8.4 kW		240V, 10 kW		380V, 8.4 kW	415V, 10 kW
	1 PH	3 PH	1 PH	3 PH	1 PH	3 PH	3 PH	3 PH
R18A-4	48.1	27.8	38.2	22.1	41.7	24.1	12.8	13.9

PAN CAPACITIES

MODEL	PAN DEPTH	INCHES	1"	2.5"	4"	6"	SHIPPING WEIGHT	MINIMUM CLEARANCE	
		MM	25	64	102	152		SIDES	BACK
R18A-4	Total Quantity of Pans		8	4	2	2	172 lbs. [78 kg]	0	0

WATER QUALITY STATEMENT

Water quality is the major factor affecting the performance of your appliance. If you are unsure of water quality, consult a local water treatment specialist and have the water analyzed. Your water supply must be within these general guidelines:

- Total dissolved solids.....Less than 60 PPM
- Total alkalinityLess than 20 PPM
- Silica.....Less than 13 PPM
- ChlorineLess than 1.5 PPM
- pH Factor7.0 - 8.5

Water which fails to meet these standards should be treated by installation of water conditioner.

FAILURE OR MALFUNCTION OF THIS APPLIANCE DUE TO POOR WATER QUALITY IS NOT COVERED UNDER WARRANTY.

For additional charge, SOUTHBEND auto-fill countertop steam units can be shipped with either a complete water treatment system part number 1190861 (for single steamer) or 1190862 (for stacked steamers).

Reference www.southbendnc.com for complete warranty details and restrictions.

**INTENDED FOR COMMERCIAL USE ONLY.
NOT FOR HOUSEHOLD USE.**



1100 Old Honeycutt Road, Fuquay-Varina, NC 27526
(919) 762-1000 www.southbendnc.com