



Model shown is an RG24-5

Model	Compartment Pan Capacity			
	PanDepth			
	1"	2-1/2"	4"	6"
RG24-5	10	5	3	2

Gas fired, stainless steel, steam generator operating at 0 psi (0 kPa) rated at 42,000 BTUs.

The generator shall be equipped for operation on:

- Natural Gas
- LP Gas

The controls shall be equipped for operation on:

- 120 VAC, 1 Phase, 50 Hz.
- 120 VAC, 1 Phase, 60 Hz.

STANDARD FEATURES:

- 304 stainless steel exterior.
- 316 stainless steel cooking chamber with coved corners.
- Heavy gauge stainless steel door with full perimeter gasket.
- Positive lock and seal mechanism with spring release door.
- Illuminated power switch.
- Ready indicator light.
- Cooking indicator light.
- 60 minute electromechanical timer with end of cycle audible alarm.
- Removable stainless steel pan supports.
- 4" legs
- Electromechanical controls.

OPTIONS AND ACCESSORIES:

- 220 VAC, 1 Phase, 50 Hz.
- 220 VAC, 1 Phase, 60 Hz.
- Single faucet spray hose c/w bracket, left side mount
- Double faucet spray hose c/w bracket, left side mount
- Correctional package
- Load Compensating Timer
- 28" high single unit stand (UNIT IS NOT STACKABLE)
- Water in "Y" strainer

SPECIFICATIONS:

Shall be a Southbend model RG24-5, convection steamer with a gas fired stainless steel steam generator. AGA/CGA and NSF Certified. The cavity shall be 5 pan capacity. The steamer shall be constructed of a satin finish stainless steel, type 304. The cooking chamber is a one piece all welded, type 316, stainless steel with coved corners. The heavy duty door shall have an inner liner of stainless steel with a full perimeter gasket seal, an outer liner of one piece all welded stainless steel, and a positive lock and seal mechanism with spring release. The compartment shall be provided with removable stainless steel pan supports. A stainless steel drip trough shall be integrally connected to the drain in order to collect condensate when the door is opened.

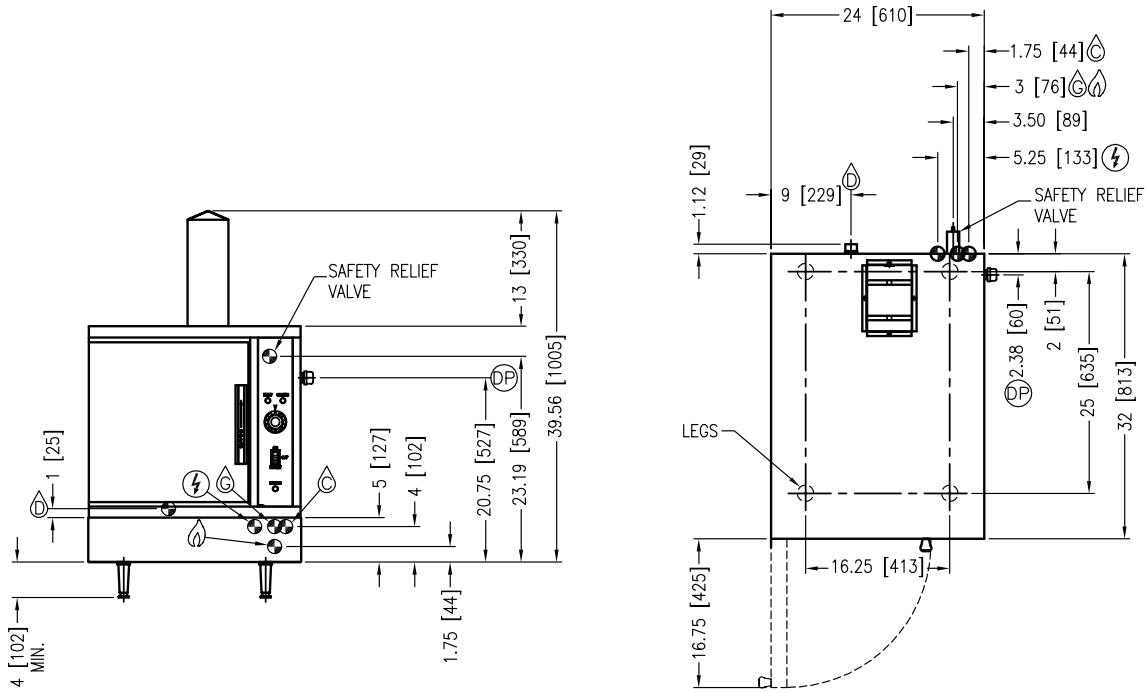
The control housing, constructed of stainless steel with a full access removable panel contains the controls which include an illuminated three way power switch (On/Off/De-lime), a pilot ready light, a pilot cooking light, 60 minute electric timer with audible alarm at the end of the cooking cycle, solid state generator controls, and electronic ignition. Steam flow to the cooking chamber shall be interrupted when the door is opened and shall be reactivated when door is closed.

Standard features include automatic generator blow down de-lime mode power setting and a de-liming port for the generator located on the right side panel. The unit also comes with split water connections for simple hook up to a water treatment system. Steamer is mounted on 4" high stainless steel adjustable legs.

***SEE REVERSE SIDE OF SPEC SHEET FOR WATER TREATMENT SYSTEM STATEMENTS*
OPERATION SHALL BE BY:**



Models: RG24-5



SERVICE CONNECTIONS

- ⚡ – ELECTRICAL CONNECTION: Unless otherwise specified, field wire electrical connection to be 120 V, 60 Hz., single phase with grounding wire. Furnished with 6 foot cord with 3 prong plug. Maximum amps 2.0.
- Ⓛ – DRAIN: 1" IPS piped to open floor drain. No solid connection. Copper only. 24" maximum length before open air gap opening. (No bends or elbows)
- ⚡ – GAS CONNECTION: 3/4" IPS supply line required. A gas shut-off valve must be installed in supply piping convenient and adjacent to appliance.
- Ⓛ – GENERATOR WATER: 3/8" (10 mm) O.D. tubing at 25-50 psi (170-345 kPa).
- Ⓛ – CONDENSING WATER: 3/8" (10 mm) O.D. tubing at 25-50 psi (170-345 kPa).
- Ⓛ – DELIME PORT: 3/4" IPS

UTILITY CONNECTIONS

MODEL	GAS SUPPLY				MINIMUM CLEARANCE			
	SHIPPING WEIGHT	BTU/HR.	kW/HR.	SUPPLY PIPE PRESSURE (W.C.)		LEFT	RIGHT	BACK
RG24-5	250 lbs. [113 kg]	42,000	12.3	Natural 6" - 14" (152 - 356 mm)	Propane 11" - 14" (279 - 356 mm)	3" [76 mm]	8" [203 mm]	6" [152 mm]

WATER QUALITY STATEMENT

Water quality is the major factor affecting the performance of your appliance. If you are unsure of water quality, consult a local water treatment specialist and have the water analyzed. Your water supply must be within these general guidelines:

- Total dissolved solids.....Less than 60 PPM
- Total alkalinityLess than 20 PPM
- Silica.....Less than 13 PPM
- ChlorineLess than 1.5 PPM
- pH Factor7.0 - 8.5

Water which fails to meet these standards should be treated by installation of water conditioner.

SOUTHBEND WATER TREATMENT SYSTEM MUST BE USED, FOR THIS APPLIANCE TO BE COVERED UNDER WARRANTY*

*FAILURE OR MALFUNCTION OF THIS APPLIANCE DUE TO POOR WATER QUALITY IS NOT COVERED UNDER WARRANTY.

Reference www.southbendnc.com for complete warranty details and restrictions.

**INTENDED FOR COMMERCIAL USE ONLY.
NOT FOR HOUSEHOLD USE.**



1100 Old Honeycutt Road, Fuquay-Varina, NC 27526
(919) 762-1000 www.southbendnc.com