



# ELECTRIC TWO COMPARTMENT CONVECTION STEAMER ON CABINET BASE

Model	Compartments	Capacity
SX-34EC	2	1-7 Pans
SX-55EC	2	1-10 Pans

### Standard Features

- Automatic generator blow down
- Delime mode power setting
- Delimiting port for each generator, which is located on the rear of the unit.
- Split water connections for simple hook up for a treated water system.
- 28" high stainless steel construction cabinet base with operable door for storage.
- Two electric, stainless steel generators operating at 0 psi (0 kPa) with field replaceable element rated at:
  - SX-34EC - 7.5kW + 10kW
  - SX-55EC - 15 kW + 15kW



Model SX-55EC

Job \_\_\_\_\_  
Item# \_\_\_\_\_

### CONSTRUCTION SPECIFICATIONS

Southbend Convection Steamer with individual steam generator for each cavity. C-CSA-US Certified and NSF Approved. Model SX-34EC shall have 3 pan capacity on top and 4 pan capacity on bottom. Model SX-55EC shall have 5 pan capacity on top and bottom. The steamer shall be constructed of a satin finish stainless steel #304. The cooking chamber is a one piece all welded, #316 stainless steel with coved corners. The heavy duty door shall have an inner liner of stainless steel with a full perimeter gasket seal, an outer liner of one piece all welded stainless steel, and a positive lock and seal mechanism with spring release. Each compartment shall be provided with removable stainless steel pan supports. A stainless steel drip trough shall be integrally connected to drain to collect condensate when the doors are opened.

The control housing shall be constructed of stainless steel with a full access removable panel. Each compartment shall have individual controls which include an illuminated three way power switch (ON/OFF/Delime), a pilot ready light, a pilot cooking light, a 60-minute electric timer which sounds an audible signal at the end of the cooking cycle, and solid state generator controls for each generator. Steam flow to the cooking chamber shall be cut off when the door is opened and reactivated when the door is closed.

### WATER QUALITY STATEMENT

Water quality is the major factor affecting the performance of your appliance. If you are unsure of water quality, consult a local water treatment specialist and have the water analyzed. Your water supply must be within these general guidelines:

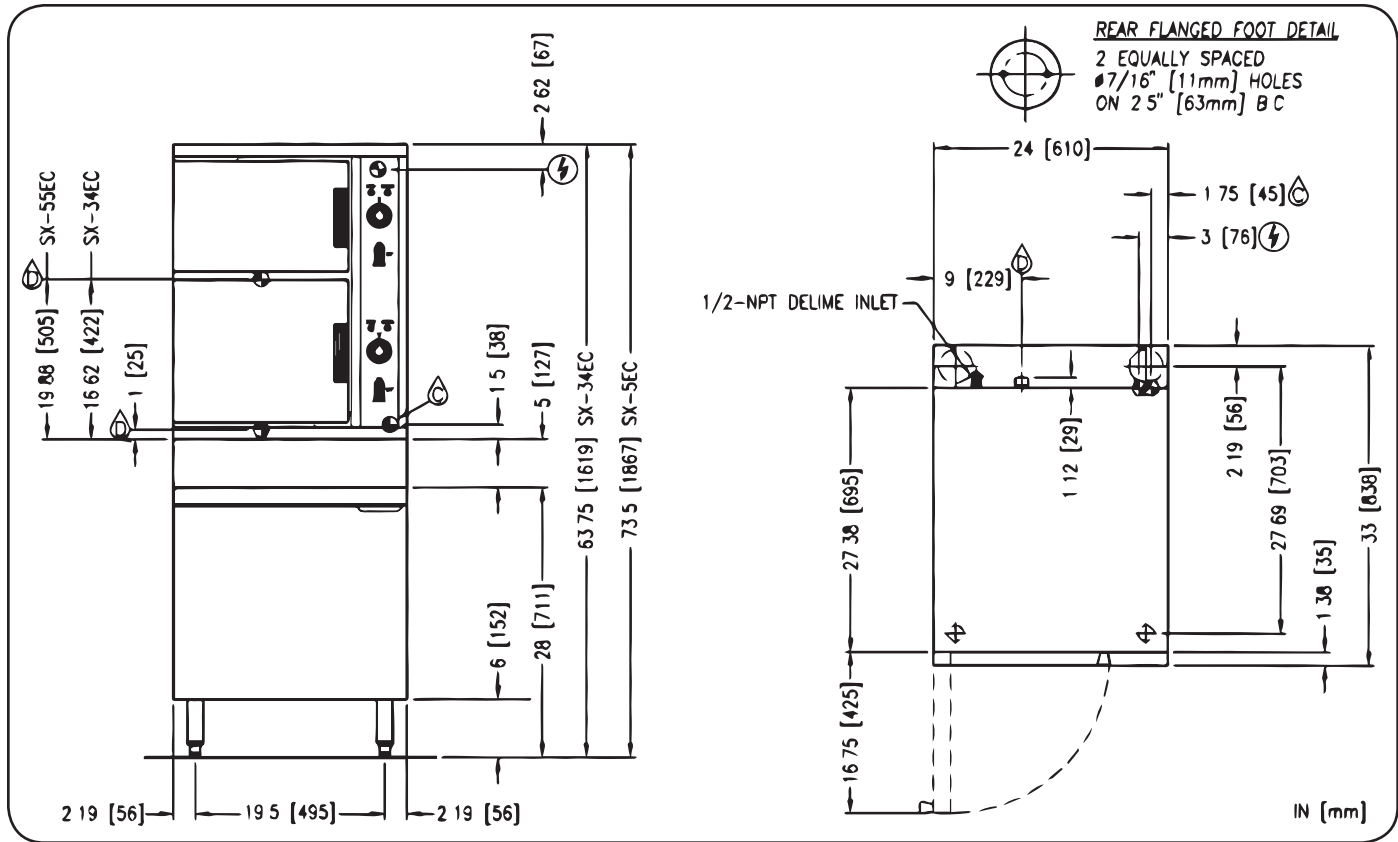
- Total dissolved solids - less than 60 PPM
- Total alkalinity - less than 20 PPM
- Silica - less than 13 PPM
- Chlorine -less than 1.5 PPM
- pH Factor -7.0-8.5

Water which fails to meet these standards should be treated by installation of water conditioner.

**FAILURE OR MALFUNCTION OF THIS APPLIANCE DUE TO POOR WATER QUALITY IS NOT COVERED UNDER WARRANTY**



Models:  SX-34EC  SX-55EC



### UTILITY CONNECTIONS

Two electrically heated, stainless steel steam generators operating at 0 psi (0kPa) and rated at:

SX-34EC - 7.5kW + 10kW

SX-55EC - 15kW + 15kW

**Controls:**

- 208 VAC, 3 Phase, 50/60 Hz
- 220 VAC, 3 Phase, 50/60 Hz
- 240 VAC, 3 Phase, 50/60 Hz

**Electrical:** 1 1/8" hole for electrical connection. Rating to be as specified on data plate.

**Drain:** 1" IPS piped to open floor drain. No Solid Connection. 24" length before open air gap opening (no bends or elbows)

**Generator Water:** 3/8" O.D. tubing at 25-50 PSI (170-345 kPa)

**Condensing Water:** 3/8" O.D. tubing at 25-50 PSI (170-345 kPa)

MODEL	KW	PHASE	AMPS PER LINE				
			208V	220V	240V	380V	480V
SX-34EC	17.5	3	49	46	42	26.6	21.1
SX-55EC	30	3	83.3	78.7	72.2	45.6	36.1

### OPTIONS/ACCESSORIES

- 380, 415, or 480 VAC, 3 Phase, 50/60 Hz Controls
- 220/380 or 240/415 VAC, 3 Phase, 50/60 Hz, 4 wire Controls
- 120 Minute Timer
- 12" x 20" pan guides for cabinet base
- Correctional Package

**INTENDED FOR COMMERCIAL USE ONLY.  
NOT FOR HOUSEHOLD USE.**



1100 Old Honeycutt Road, Fuquay-Varina, NC 27526  
(919) 762-1000 www.southbendnc.com