



Item No. _____

Project _____

Quantity _____

36" Electric, Salamander/Broiler

Model: 136SB, 160SB



*Model 136SB
mounted on griddle-top range*

CONSTRUCTION FEATURES

- Stainless steel front, top, sides & back
- Top mounted electric resistance heaters
- Multi-position, adjustable chrome plated rack
- Stainless steel removable drip drawer
- 4" adjustable legs provided with [-C] Counter model

PERFORMANCE FEATURES

- Large, unrestricted opening for quick and easy plate access
- Can change rack height while unit is heating
- Large capacity drip drawer is removable, for easier cleaning

CONTROL PACKAGE

- Mechanical multi-position rack height lever

SHORT/BID SPECIFICATION

Salamander/Broiler shall be a **LANG Manufacturing Model 136SB** [specify style: -C Counter or -R Range Mounted]
160SB [specify style: -C Counter or -R Range Mounted] 36" wide unit with: 6-kW electric heaters; constant heat setting; large, unrestricted plate opening; multi-position, height adjustable rack; and all the features listed and the options/accessories checked:

STANDARD PRODUCT WARRANTY

- One year, parts & labor



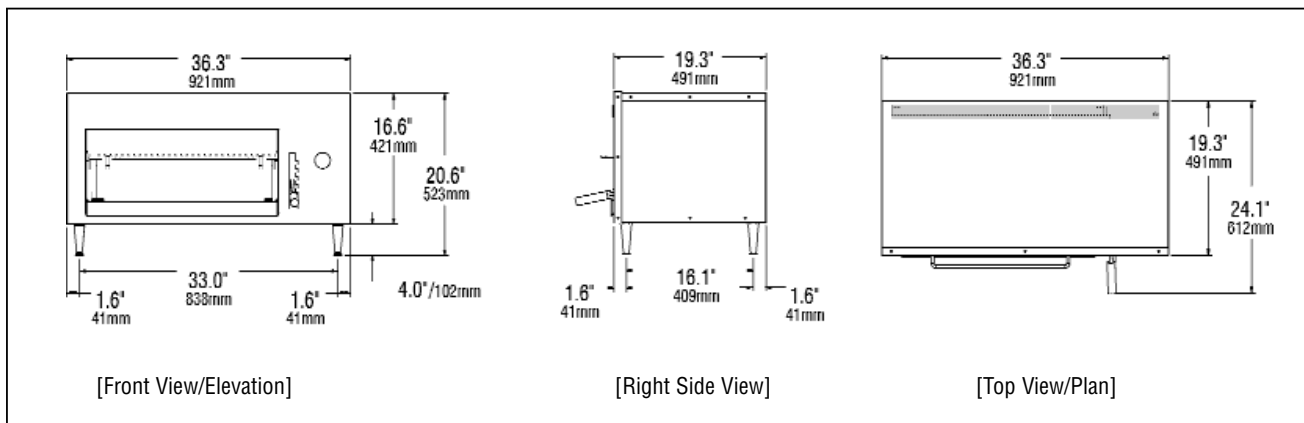
Sheet No. **LSP-CM3** (rev. 06/07)

INSTALLATION REQUIREMENTS

- ⓔ 208V or 240V, 1-phase electrical connection
- Installation under approved vent hood required.
- Unit not to be installed over charbroiler
[Connection from rear. See below for location and delivery requirements]

OPTIONS & ACCESSORIES

- Extra chrome plated rack
- 480V, 1-phase power



Model	Height x Width x Depth (Not including legs)	Clearance from combustible surface	Weight		Freight Class
			Actual	Shipping	
136SB	16.6" x 36.3" x 24.1" 421mm x 921mm x 612mm	Sides: 0" Back: 0"	140 lbs. 64 kg	220 lbs. 100 kg	85
160SB	16.6" x 60.3" x 24.1" 421mm x 1532mm x 612mm	Sides: 0" Back: 0"	230 lbs. 105 kg	510 lbs. 232 kg	85

Model	ⓔ Electrical Requirements			
	Voltage	Total kW	Phase	Amps/Line
136SB	208V/60Hz	6.0	1	28.8
	240V/60Hz	6.0	1	25.0
	480V/60Hz	6.0	1	12.5
160SB	208V/60Hz	6.0	1	28.8
	240V/60Hz	6.0	1	25.0
	480V/60Hz	6.0	1	12.5

CAD SYMBOLS & PRICING



Due to continuous improvements, specifications subject to change without notice.



Sheet No. LSP-CM3 (rev. 06/07)

LANG MANUFACTURING - A DIVISION OF STAR MANUFACTURING INT'L, INC. • 10 SUNNEN DR. ST. LOUIS, MO 63143
TOLL FREE: 800.264-7827 • FAX: 314-781-3636 • www.langworld.com