



Item No. _____

Project _____

Quantity _____

Electric, Two-Pan Deck [Roast] Ovens

Model: D054R[1,2,3]



Model D054R3 shown

PAN & PRODUCTION CAPACITY GUIDE

| Capacity/Model: | D054R1* | D054R2 | D054R3 |
|----------------------|---------|--------|--------|
| 18" x 26" Full Sheet | 2 | 4 | 6 |
| Meat in pounds | 125 | 250 | 375 |
| Whole turkeys | 4 | 8 | 12 |

* Or the D054R Model

SHORT/BID SPECIFICATION

Deck Oven[s] shall be **LANG Manufacturing Model D054R** [Insert 1, 2 or 3], a 6-kW [each] electric heated two-pan **roast** oven, with: 12" high cooking compartment; full-width, spring loaded pull-down door, with double pane, tempered glass viewing window; all stainless steel exterior; insulated, aluminized steel cooking compartment; one heavy duty pan rack standard; plus all the features listed and options/accessories checked:

STANDARD PRODUCT WARRANTY

One year, parts & labor

CONSTRUCTION FEATURES

- Heavy duty 430 Series stainless steel exterior, with attractive No. 4 finish
- Cooking compartment is aluminized steel and fully insulated on six sides
- Heavy duty spring-loaded pull-down door with grab-bar handle
- Double pane tempered glass viewing window
- Recessed, right side mounted control panel
- 27" [D054B1], 16" [D054R2] or 6" high [D054R3] legs standard
- One heavy duty chrome plated wire rack provided

PERFORMANCE FEATURES

- Top & bottom mounted heating elements enclosed in Incoloy sheathing
- 12" cooking compartment allows roasting of turkeys, beef rounds, etc.
- Stackable up to three high, for more capacity in same footprint
- Reinforced oven deck with raised edges eliminates warping
- Sturdy pull-down door serves as loading platform
- 100-450°F operating temperature range

CONTROL PACKAGE [Per Deck]

- Simple knob-set time and temperature controls
- 3-heat switch for: top only, bottom only or heat from both
- 60 minute timer
- Manual vent rod



Sheet No. LSP-D3 (rev. 06/07)

Electric, Two-Pan Deck [Roast] Ovens

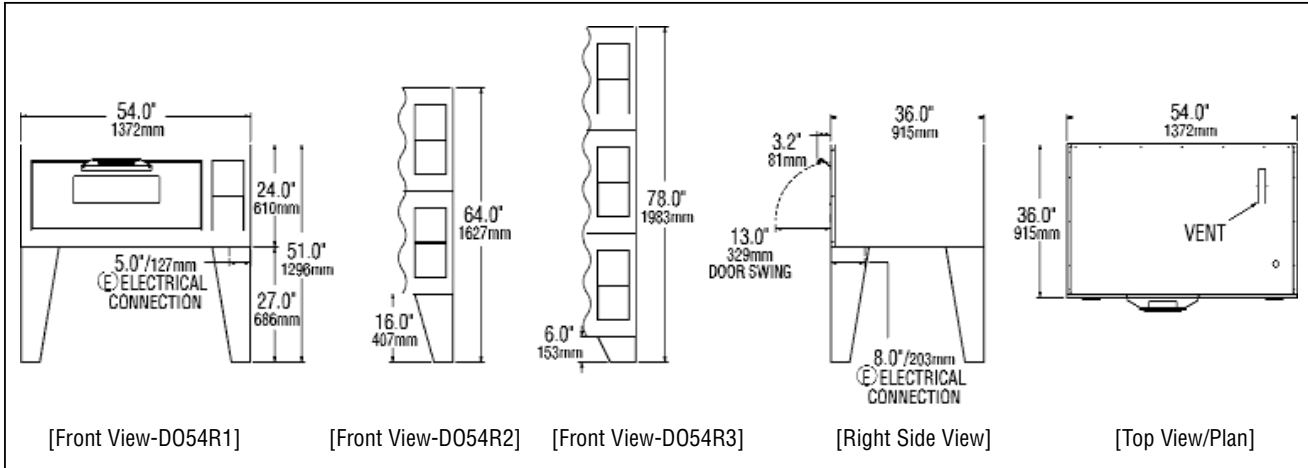
Model: D054R[1,2,3]

INSTALLATION REQUIREMENTS

- (E) 208V or 240V, 1-Phase or 3-Phase power required; or 480V, 3-Phase as option
- Installation under approved vent hood may be required. Consult local codes. [Power connection[s] from bottom. See below]

OPTIONS & ACCESSORIES

- 480 Volt, 3-phase model, per oven deck
- 27" stainless steel angular legs for D054R1 Model
- 16" stainless steel angular legs for D054R2 Model
- 6" stainless steel angular legs for D054R3 Model
- Solid stainless steel door [no window], per oven deck
- Extra wire pan racks [one provided as std., per oven deck]



| Model | Height x Width x Depth (without legs) | | Clearance from combustible surface* | Weight | | Freight Class |
|--------|--|--|---|---------------------|---------------------|---------------|
| | External | Inside Oven Dimension | | Actual | Shipping | |
| D054R1 | 24.0" x 54.0" x 36.0" 610mm x 1372mm x 915mm | 12.0" x 38.0" x 30.0" 305mm x 965mm x 762mm | Sides: 2.0" (51mm) Back: 2.0" (51mm) | 415 lbs. 189 kg | 455 lbs. 207 kg | 70 |
| D054R2 | 48.0" x 54.0" x 36.0" 1219mm x 1372mm x 915mm | 12.0" x 38.0" x 30.0" 305mm x 965mm x 762mm | Sides: 2.0" (51mm) Back: 2.0" (51mm) | 755 lbs. 343 kg | 835 lbs. 380 kg | 70 |
| D054R3 | 72.0" x 54.0" x 36.0" 1829mm x 1372mm x 915mm | 12.0" x 38.0" x 30.0" 305mm x 965mm x 762mm | Sides: 2.0" (51mm) Back: 2.0" (51mm) | 1120 lbs. 509 kg | 1240 lbs. 564 kg | 70 |

* Noncombustible floor only.

| Voltage | (E) Electrical Requirements By Model | | | | | | |
|-----------|--------------------------------------|--------------|-----------|--------------|-----------|--------------|-----------|
| | Phase | Model D054R1 | | Model D054R2 | | Model D054R3 | |
| | | Total kW | Amps/Line | Total kW | Amps/Line | Total kW | Amps/Line |
| 208V/60Hz | 1 | 6.0 | 28.8 | 12.0 | 57.7 | 18.0 | 86.5 |
| 240V/60Hz | 1 | 6.0 | 25.0 | 12.0 | 50.0 | 18.0 | 75.0 |
| 208V/60Hz | 3 | 6.0 | 28.8 | 12.0 | 50.0 | 18.0 | 57.7 |
| 240V/60Hz | 3 | 6.0 | 25.0 | 12.0 | 43.3 | 18.0 | 43.3 |
| 408V/60Hz | 3 | 6.0 | 12.5 | 12.0 | 21.7 | 18.0 | 21.7 |

CAD SYMBOLS & PRICING



Due to continuous improvements, specifications subject to change without notice.



Sheet No. LSP-D3 (rev. 06/07)

LANG MANUFACTURING - A DIVISION OF STAR MANUFACTURING INT'L, INC. • 10 SUNNEN DR. ST. LOUIS, MO 63143
TOLL FREE: 800.264-7827 • FAX: 314-781-3636 • www.langworld.com