



Item No. _____

Project _____

Quantity _____

30" Electric Range With Standard Oven Base

Model: R30S Series



Model R30S shown with standard casters

SHORT/BID SPECIFICATION

Range shall be a **LANG Manufacturing Model R30S**—
[Specify one]:

- ATA, with 4 ea. 8" diameter French Plates;
- ATB, with 1 ea. 12" X 24" X 3/4" thick Hot Plate and 2 ea. 8" diameter French plates
- ATC, with 2 ea. 12" X 24" X 3/4" thick Hot Plates; org
- ATD, with 1 ea. 18" X 24" X 3/4" thick griddle plate and 2 ea. 8" diameter French plates
- ATE, with 1 ea. 18" X 24" X 3/4" thick griddle plate and 1 ea. 12" X 24" X 3/4" thick hot plate
- ATF, 30" X 24" X 3/4" thick Griddle

...a 30" wide heavy duty electric heated unit with standard oven base and 14-kW total power input; all stainless steel exterior; fully insulated oven with aluminized steel interior, heavy duty drop-down door and one chrome plated oven rack standard; individual oven and cook-top component controls; plus all the features listed and options/accessories checked:

STANDARD PRODUCT WARRANTY

Two year, parts & labor

CONSTRUCTION FEATURES

- One piece heavy duty 430 Series stainless steel exterior, with attractive No. 4 finish
- 12" high cooking compartment is aluminized steel
- 2" insulation on six sides of cooking compartment
- Heavy duty hinge-down oven door
- Adjustable oven rack slide supports
- One chrome-plated oven rack provided
- 1" high range-top back stop
- 2-3/4" wide full width front grease trough
- Grease drain in trough with full width & depth spillage drawers
- [-4] Griddle Configuration includes one piece splash guard, back & sides
- 4" casters

PERFORMANCE FEATURES

- 30" unit fits into tight kitchens
- Choice of cook-top configurations, to include:
 - 4 ea. 8" diameter French Plates
 - 2 ea. 8" diameter French Plates & a 12" wide Hot Top
 - 2 ea. 12" wide Hot Tops
 - 30" wide, 3/4" thick Griddle Plate
- Full front grease trough, grease drain & spillage drawers speed cleanup
- Separate, independent controls allows precise multi-function cooking
- Separate independent controls allows simultaneous multi-function cooking

CONTROLS [Varies By Top Configuration]

- Oven thermostat
- Top & bottom element 3-heat switches
- [-1] Four individual 6-heat level switches [ea. French Plate]
- [-2] Two individual 6-heat level switches & one three-way switch
- [-3] Two three-way switches [Hot Tops]
- [-4] Two thermostats, one per 12" of Griddle plate



Sheet No. LSP-R2 (rev. 07/15)

30" Electric Range With Standard Oven Base

Model: R30S Series

CONFIGURATION GUIDE

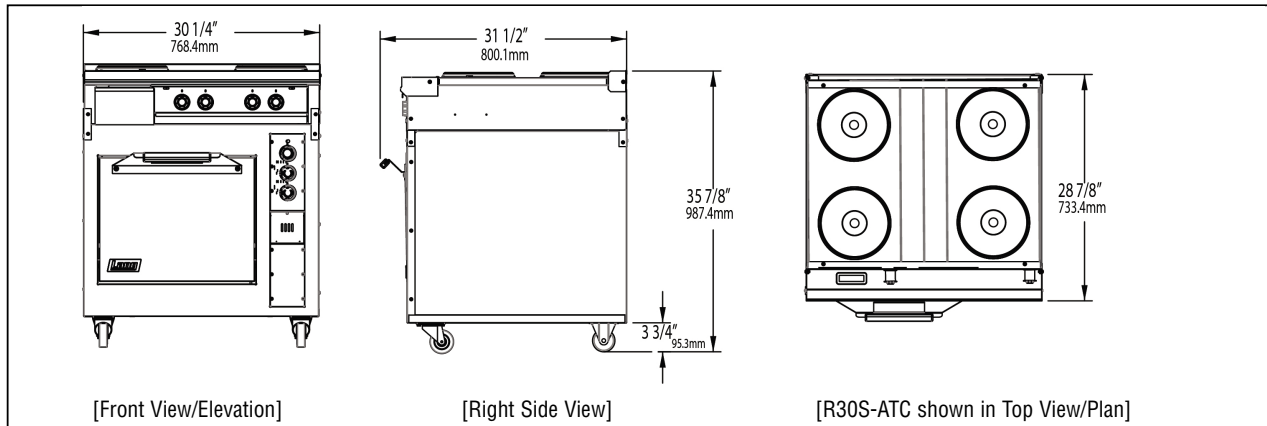
Model Has:	R30S-ATA	R30S-ATB	R30S-ATC	R30S-ATD	R30S-ATE	R30S-ATF
Oven Base:	Standard	Standard	Standard	Standard	Standard	Standard
Griddle:	-	-	-	18" wide	18" wide	30" wide
French Plates:	4 each	2 each	-	2 each	-	-
Hot Plates:	-	1 each	2 each	-	1 each	-
Pictogram: [Unit Top View]						

INSTALLATION REQUIREMENTS

- (E) Single 208/240V, 1/ 3-Phase; or 480V, 3-phase electrical connection [Power connection from bottom. See below]
- Installation under approved vent hood required. Consult local codes.

OPTIONS & ACCESSORIES

- 12" X 24" X 3/4" thick griddle with splash guard
- Substitute 1" thick griddle plate for grooving [12" wide]
- Substitute 1" thick griddle plate for grooving [24" wide]
- Grooving on [1" thick ONLY] Range Griddle Plate
- Substitute Open Coil Units for French Plates [208/240V ONLY]
- 480 Volt, 3-phase model
- High Storage Rack [for mounting above R30S Series Range]
- Extra wire pan rack [One provided as std.]



Model	Height x Width x Depth (With standard casters)	Clearance from combustible surface	Weight		Freight Class
			Actual	Shipping	
R30S	35-7/8" x 30-1/4" x 28-7/8" 987mm x 768mm x 733mm	Sides: 4" (100mm) Back: 4" (100mm)	270-310* lbs. 123-141 kg	320-360* lbs. 145-164 kg	85

* Depending on configuration.

Model	(E) Electrical Requirements			
	Voltage	Total kW	Phase	Amps/Line
R30S	208V/60Hz	14.0	1	67.3
	240V/60Hz	14.0	1	58.3
	208V/60Hz	14.0	3	41.7
	240V/60Hz	14.0	3	36.1
	480V/60Hz	14.0	3	18.1

CAD SYMBOLS & PRICING



Due to continuous improvements, specifications subject to change without notice.



LANG MANUFACTURING • 10 SUNNEN DR. ST. LOUIS, MO 63143
PHONE: 314-678-6315 • FAX: 314-781-3636 • www.langworld.com