

Lang[®]

MARINE MODEL R30S-M

30" Electric Range w/Oven Base



Model R30S-ATAM

MARINE MODEL DESCRIPTION

Range shall be a LANG Manufacturing Marine Model R30S-____ [Specify one]:

- ATAM, with 4 ea. 8" diameter French Plates;
- ATBM, with 1 ea. 12" X 24" X 3/4" thick Hot Plate and 2 ea. 8" diameter French Plates
- ATCM, with 2 ea. 12" X 24" X 3/4" thick Hot Plates;
- ATDM, with 1 ea. 18" X 24" X 1/2" thick Griddle and 2 ea. 8" diameter French Plates;
- ATEM, with 1 ea. 18" X 24" X 1/2" thick Griddle and 1 ea. 12" X 24" X 3/4" thick Hot Plate or
- ATFM, with 30" X 24" X 1/2" thick Griddle

A 30" wide heavy duty electric heated unit with standard oven base and 14-kW total power input; hatchable two piece construction with all stainless steel exterior; fully insulated oven with aluminized steel interior, heavy duty drop-down door with latch and one oven rack standard; individual oven and cook-top component controls; Sea rails and stainless steel front grab bar.

STANDARD PRODUCT WARRANTY

- One year, parts & labor [Labor in U.S. only]

MARINE CONSTRUCTION FEATURES

- Two piece modular construction
- Heavy duty 430 Series stainless steel exterior with, No. 4 finish
- 12" high cooking compartment is aluminized steel
- 2" insulation on six sides of cooking compartment
- Incoloy sheathed tubular oven heating elements
- Heavy duty, spring-assisted, hinge-down oven door with latch
- One oven rack provided
- Sea rails and full width front mounted grab bar
- 2-3/4" wide full width front grease trough
- Grease drain in trough with full width & depth spillage drawers
- Griddle top configurations include one piece welded splash guard back & sides
- 4" adjustable legs w/ bolt-down flange standard

CONTROL PACKAGE

- Oven thermostat
- Top & bottom element 3-heat switches
- [-ATAM] Four individual 6-heat switches [ea. French Plate]
- [-ATBM] Two individual 6-heat switches [French Plates] & one 850 degree thermostat [Hot Top]
- [-ATCM] Two 850 degree thermostats [Hot Tops]
- [-ATDM] Two individual 6-heat switches [French Plates] & one thermostat [Griddle]
- [-ATEM] One 850 degree thermostat [Hot Top] & one thermostat [Griddle]
- [-ATFM] Two thermostats, one per 12" of Griddle plate

PERFORMANCE FEATURES

- Multi-function 30" wide unit fits into tight marine galleys
- Hatchable two-piece design allows movement through 26" x 66" watertight hatch
- Choice of six cook-top configurations, to include:
 - 4 ea. 8" diameter French Plates
 - 2 ea. 8" diameter French Plates & a 18" wide Griddle
 - 2 ea. 8" diameter French Plates & 1 ea. 12" wide Hot Top
 - 1 ea. 12" wide Hot Top & a 18" wide Griddle
 - 2 ea. 12" wide Hot Tops
 - 30" wide, 1/2" thick Griddle
- Full front grease trough, grease drain & spillage drawers
- Independent controls allows precise multi-function cookin



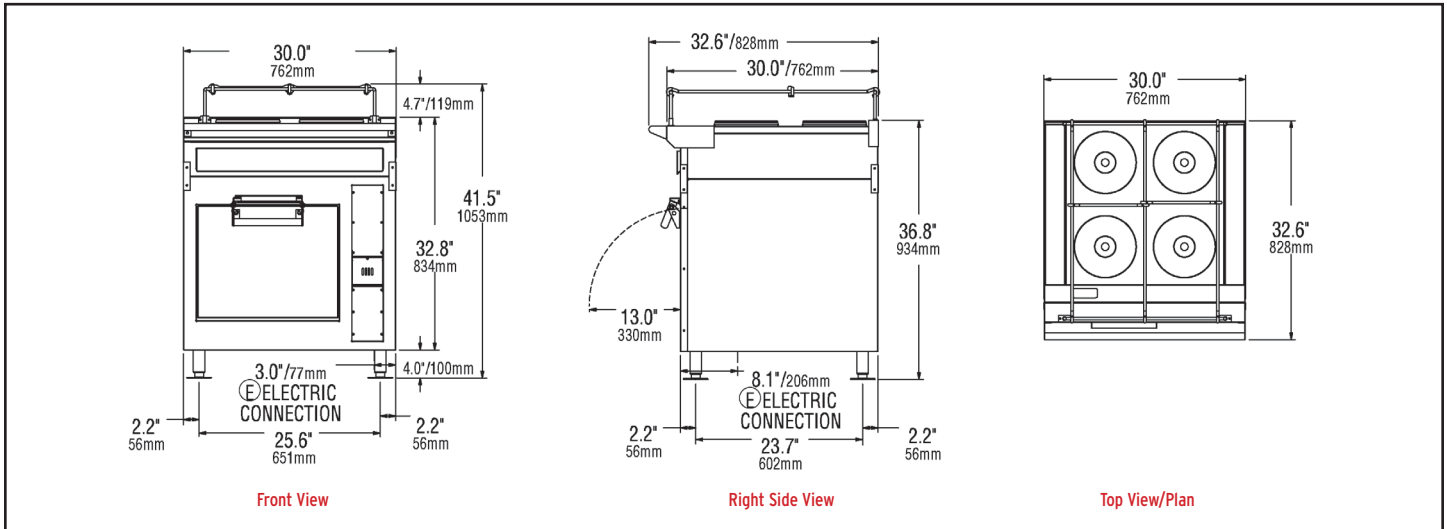
Sheet No. LMSP-R1 [rev. 07/15]

MARINE INSTALLATION REQUIREMENTS

- ☐ Ⓢ 208V or 240V, 1-Phase or 3-Phase power required; or 440V/480V, 3-Phase as option
- ☐ Consult marine codes for installation requirements

MARINE OPTIONS & ACCESSORIES

- 440V/480V, 3-phase model
- Stainless steel oven interior
- Set of 6" Legs [Required for NSF Listing]
- Add curb mounting flange
- Extra wire pan rack [One provided as std.]



| Model [R30S] | ATAM | ATDM | ATBM | ATEM | ATCM | ATFM |
|---------------|----------|----------|----------|----------|----------|----------|
| Oven Base | Standard | Standard | Standard | Standard | Standard | Standard |
| Griddle | - | 18" | - | 18" | - | 30" |
| French Plates | 4 each | 2 each | 2 each | - | - | - |
| Hot Plates | - | - | 1 each | 1 each | 2 each | - |
| Pictogram | | | | | | |

| Model No. | External Dimensions | | | Surface Clearance | Weight lbs [kg] | | Freight Class | Volts AC [Hz] | Watts [kW] | 3-Phase AMPS | 1-Phase AMPS |
|-----------|---------------------|-----------------|----------------|-----------------------|-----------------|-----------|---------------|---------------|------------|--------------|--------------|
| | Width | Height | Depth | | Actual* | Ship* | | | | | |
| R30S | 30.0" 762mm | 41.7" 1053mm | 32.6" 828mm | Sides: 4" Back: 4" | 360 [164] | 410 [186] | 85 | 208 - 50/60 | 14.0 | 41.7 | 67.8 |
| | | | | | | | | 240 - 50/60 | 14.0 | 36.1 | 58.3 |
| | | | | | | | | 440 - 50/60 | 11.8 | 16.6 | n/a |
| | | | | | | | | 480 - 50/60 | 14.0 | 18.1 | n/a |

*Depending on configuration

CAD SYMBOLS & PRICING

Sheet No. LMSP-R1 [rev. 07/15]



Due to continuous improvements, specifications subject to change without notice

