



Item No. \_\_\_\_\_

Project \_\_\_\_\_

Quantity \_\_\_\_\_

## 36" Electric Range With Standard Oven or Cabinet Base **Model: R36S Series**



*Model R36S-ATB shown*

### OVEN BASE - SHORT/BID SPECIFICATION

Range with oven shall be a **LANG Manufacturing Model R36S-**

[Specify one]:

- ATA, with 24" wide Griddle and 2 ea. 8" diameter French Plates;
- ATB, with 3 ea. 12" X 24" X 3/4" thick Hot Plates;
- ATC, with 2 ea. 8" diameter French Plates and 2ea. 12" X 24" X 3/4" thick Hot Plates; or
- ATD, with 36" wide Griddle;
- ATE, with 6 ea. 8" diameter French Plates;
- ATF, with 12"x24"x3/4" wide hot plate and 4 ea. 8" diameter French Plates

...a 36" wide heavy duty electric heated unit with standard oven base and 21-kW total power input; all stainless steel exterior; fully insulated oven with aluminized steel interior, heavy duty drop-down door and one chrome plated oven rack standard; individual oven and cook-top component controls; plus all the features listed and options/accessories checked:

### CABINET BASE - SHORT/BID SPECIFICATION

Range on cabinet base shall be a **LANG Manufacturing Model R36S-** [Specify one]:

- ATA, with 24" wide griddle & 2 ea. 8" diameter French Plates;
- ATB, with 3 ea. 12" X 24" X 3/4" thick Hot Plates; or
- ATC, with 2 ea. 8" diameter French Plates and 2 ea. 12" X 24" X 3/4" thick Hot Plates
- ATD, with 36" wide Griddle;
- ATE, with 6 ea. 8" diameter French Plates;

...a 36" wide heavy duty electric heated unit with 15-kW total power input; all stainless steel exterior with enclosed cabinet base for storage, individual cook-top component controls; plus all the features listed and options/accessories checked:

### STANDARD PRODUCT WARRANTY

Two year, parts & labor

### CONSTRUCTION FEATURES

- One piece heavy duty 430 Series stainless steel exterior, with attractive No. 4 finish
- 6" adjustable legs standard
- Full width 2" high range-top back riser
- 3" wide full width front grease trough
- 6" wide full width plate landing
- Grease drain in trough with full width & depth spillage drawers
- Griddle Configurations include a one piece splash guard, back & sides

#### [Oven Models Only]:

- 12" high cooking compartment is aluminized steel
- Oven is insulated on six sides
- Heavy duty hinge-down oven door
- Adjustable oven rack slide supports
- One chrome-plated oven rack provided

### PERFORMANCE FEATURES

- 2-piece unit fits through 36" wide door
- Choice of cook top configurations, to include:
  - 24" wide 3/4" thick Griddle & 2 ea. 8" diameter French Plates
  - 36" wide 3/4" thick Griddle
  - 3 ea. 12" wide Hot Tops
  - 6 ea. 8" diameter French Plates
  - 2 ea. 8" diameter French Plates & 2 ea. 12" wide Hot Tops
  - 12" wide 3/4" thick Griddle & 4 ea. 8" diameter French Plates [Oven base model only]
- Full front grease trough, grease drain & spillage drawers speed cleanup
- Full front landing simplifies and speeds plating
- Separate, independent controls allows simultaneous multi-function cooking

### CONTROLS [Varies By Top Configuration]

- [R36S-ATA & R36B-ATA] Two thermostats, one per 12" of Griddle & two 6-heat level switches [ea. French Plate]
- [R36S-ATD & R36B-ATD] Three thermostats, one per 12" of Griddle
- [R36S-ATB & R36B-ATB] Three thermostats [ea. Hot Top]
- [R36S-ATE & R36B-ATE] Six 6-heat level switches [ea. French Plate]
- [R36S-ATC & R36B-ATC] Two thermostats [ea. Hot Top] & two 6-heat level switches [ea. French Plate]
- [R36S-ATF] One thermostat for Griddle & four 6-heat level switches [ea. French Plate]

#### [Oven Models Only]:

- Oven Thermostat
- Two, 3-heat switches for oven
- 60 minute timer



Sheet No. LSP-R4 (rev. 02/12)

# 36" Electric Range With Standard Oven or Cabinet Base Model: R36S Series

## CONFIGURATION GUIDE

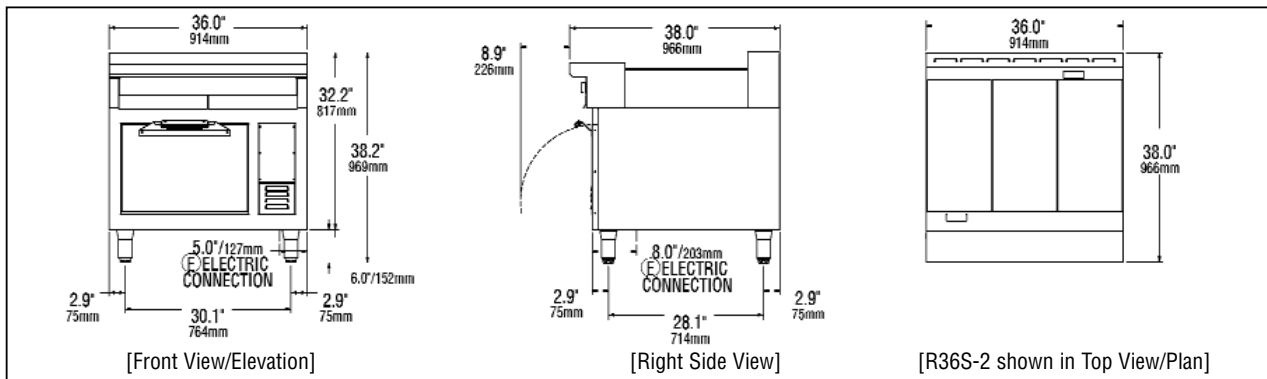
Model Has:	R36S-ATA	R36B-ATA	R36S-ATB	R36B-ATB	R36S-ATC	R36B-ATC	R36S-ATD	R36B-ATD	R36S-ATE	R36B-ATE	R36B-ATF
Unit Base:	Std. Oven	Cabinet	Std. Oven	Cabinet	Std. Oven	Cabinet	Std. Oven	Cabinet	Std. Oven	Cabinet	Std. Oven
Griddle:	24" wide	-	-	-	-	-	36" wide	-	-	-	12" wide
French Plates:	2 each	-	-	-	2 each	-	-	-	6 each	-	4 each
Hot Plates:	-	-	3 each	-	2 each	-	-	-	-	-	-
Pictogram: [Unit Top View]											

## INSTALLATION REQUIREMENTS

- Unit is shipped in two pieces, cook top & oven base
- Ⓜ Single 208/240V, 1/ 3-Phase; or 480V, 3-phase electrical connection
- Installation under approved vent hood required. Consult local codes. [Power connection from bottom. See below]

## OPTIONS & ACCESSORIES

- Substitute 1" thick griddle plate for grooving [12" wide]
- Substitute 1" thick griddle plate for grooving [24" wide]
- Substitute 1" thick griddle plate for grooving [36" wide]
- Grooving on [1" thick ONLY] Range Griddle Plate
- Clamshell Hood installed over griddle on 36" Series Range
- Split voltage – to connect 208V or 240V/1-phase Clamshell to 480V Range
- Substitute Open Coil Units for French Plates [208/240V ONLY]
- 480 Volt, 3-phase model
- Set of 6" casters, two-locking, two fixed
- High Storage Rack [for mounting above any 36" Range]
- Extra wire pan rack [One provided as std.]
- 6" or  12" wide Top Spreader and Front Enclosure



Model	Height x Width x Depth (With standard legs)	Clearance from combustible surface	Weight		Freight Class
			Actual	Shipping	
R36S	38.2" x 36.0" x 38.0" 970mm x 914mm x 966mm	Sides: 4" (100mm) Back: 4" (100mm)	235-490* lbs. 107-223 kg	285-540* lbs. 130-245 kg	85

\* Depending on configuration.

Model	Ⓜ Electrical Requirements						
	Voltage	Total kW		Phase		Amps/Line	
		Unit Base Type:	Oven	Top	Oven	Top	Oven
R36S	208V/60Hz	21.0	15.0	1	1	101.0	72.1
	240V/60Hz	21.0	15.0	1	1	87.5	62.5
	208V/60Hz	21.0	15.0	3	3	66.7	41.7
	240V/60Hz	21.0	15.0	3	3	57.8	36.1
	480V/60Hz	21.0	15.0	3	3	28.9	18.1

## CAD SYMBOLS & PRICING



Due to continuous improvements, specifications subject to change without notice.



**LANG MANUFACTURING • 10 SUNNEN DR. ST. LOUIS, MO 63143**  
**PHONE: 314-678-6315 • FAX: 314-781-3636 • www.langworld.com**