



Simply Engineered Better

STANDARD FEATURES

- **NEW Smart Display** – digital temperature readouts and cycle progress indicators to simplify daily operation
- **NEW** Solid state controls
- **NEW Automatic Pumped Drain** no stand pipe
- **NEW Auto Clean** washes chamber at shutdown
- **NEW Advanced Service Diagnostics**
- **NEW Fill Sentry** – monitors incoming water pressure to ensure proper fill level and rinse performance
- **NEW Drain Sentry** – monitors and ensures proper draining of machine
- Rinse Sentry – ensures proper 180°F /82°C final rinse temperature
- Automatic fill at start-up
- Robust, counter-balanced, double skin door, synonymous with Moyer Diebel quality
- All standard peristaltic liquid detergent and rinse-aid dispensing pumps, top and side panels, 2 kW tank heater, flexible fill and drain lines with water strainer and pressure regulating valve for trouble-free operation
- **ENERGY STAR® Qualified**
- Low 0.84 US gal. (0.7 imp.gal/3.2l) water usage per rack
- Energy efficient – 30 amp. breaker with 4 kW booster heater (optional 6 kW available)
- 120 second cycle time. 30 racks per hour capacity
- Complete with one peg and one flat bottom rack (20" x 20"/ 508mm x 508 mm)

OPTIONS & ACCESSORIES

- | | |
|---|-------------|
| <input type="checkbox"/> 6 kW Booster | |
| <input type="checkbox"/> 6" Stand | P/N 0712393 |
| <input type="checkbox"/> 17RS – 17" Stand | P/N 0708757 |
| <input type="checkbox"/> Drain tempering kit | P/N 0712949 |
| <input type="checkbox"/> 1" roller kit | P/N 0712480 |
| <input type="checkbox"/> Flat bottom dishrack | P/N 101273 |
| <input type="checkbox"/> Peg dishrack | P/N 101285 |

Project _____
 Item No. _____
 Quantity _____

383HT

Undercounter High Temperature
 Overflow Type Dishwashing Machine
 with Built-in Booster Heater



Top and side panels
 are standard

SPECIFIER STATEMENT

Specified unit will be a high temperature undercounter dishwashing machine with built-in booster and the following characteristics.

Machine will be equipped with: digital temperature readouts as well as cycle progress indicators. It will feature a fill sentry device to ensure proper fill and rinse performance as well as a drain sentry to monitor and ensure proper draining of the machine. It will have an automatic pumped drain with no standpipe as well as an auto-clean feature that washes the chamber at shutdown.

Machine will have standard liquid detergent and rinse-aid dispensing pumps as well as a rinse-sentry feature to ensure proper 180°F final rinse temperature.

Specified unit will be a Moyer Diebel 383 HT or an identically equipped equivalent.

Moyer Diebel Ltd. – Canada

2674 North Service Rd., Jordan Station, Ontario, Canada L0R 1S0 Tel: 800/263-5798 Fax: 905/562-5422
www.championindustries.com/canada

Moyer Diebel – USA

3765 Champion Blvd, Winston-Salem, NC 27105 Tel: 336/661-1992 Fax: 336/661-1979 800/228-8350
www.moyerdiebel.com

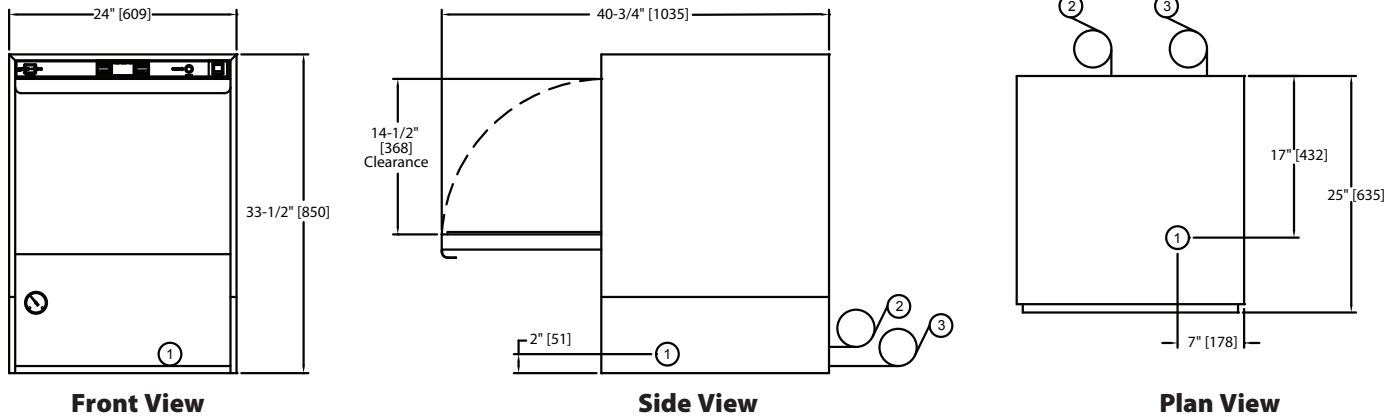


Simply Engineered Better

383 HT

Undercounter High Temperature
Overflow Type Dishwashing Machine
with Built-in Booster Heater

Dimensions shown in inches and [millimeters]



*Note: Allow additional 3" clearance from wall.

Utilities	
1 Electrical	208-240/60/1; 3 wire + ground; hard wiring required (see boxes below)
2 Hot Water	140°F/60°C Min., connection for 4 kW rise booster. 110°F/43°C Min., connection for 6 kW rise booster. 5 ft. long 1/2" I.D. flexible fill hose with 3/4" FNPT connection. Flow pressure: 18-22 psi (124-152 kPa), PRV supplied
3 Drain Connection	6 ft. long, 3/4" I.D. flexible hose. Max. drain flow: 8 US gpm; 7 imp gpm

383HT with 4 kW Electric Rise Booster

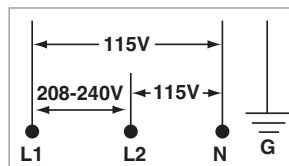
383HT with 6 kW Electric Rise Booster

Elec. Specs	Rated Amps	Minimum Supply Circuit Ampacity	Maximum Overcurrent Protective Device
208/60/1	22	30	30
240/60/1	24	30	30

Elec. Specs	Rated Amps	Minimum Supply Circuit Ampacity	Maximum Overcurrent Protective Device
208/60/1	29	40	40
240/60/1	31	40	40

	Uncrated	Crated
Height	33-1/2" [851]	39-1/2" [1003]
Width	24" [609]	25" [635]
Depth	25" [635]	25-1/2" [647]
Ship Wt. lbs	148/67	165/75

* Front leveling feet provided.



*Note: Electrical supply service must be a 3-wire plus ground for connection as shown.

SPECIFICATIONS

Capacity	*Racks per hr.	30
Motor Horsepower	Wash	1
Water Consumption	Gal. per hr. (max. use)	
	US gal. (imp gal./liters)	20.1 (16.7/76)
	Gal. per rack	
	US gal. (imp gal./liters)	0.84 (0.7/3.2)
Temperatures °F	Wash (minimum)	150/66
	Rinse (minimum)	180/82
Heating	Tank heat, electric (kW)	2
	Electric booster (kW)	4/6
Time Cycle in Seconds	Wash	100
	Rinse	15
	Dwell	5
	Total	120

* Excludes 30 second NSF load/unload time

Warning: Plumbing and electrical connections should be made by qualified personnel who will observe all the applicable plumbing, sanitary and safety codes.