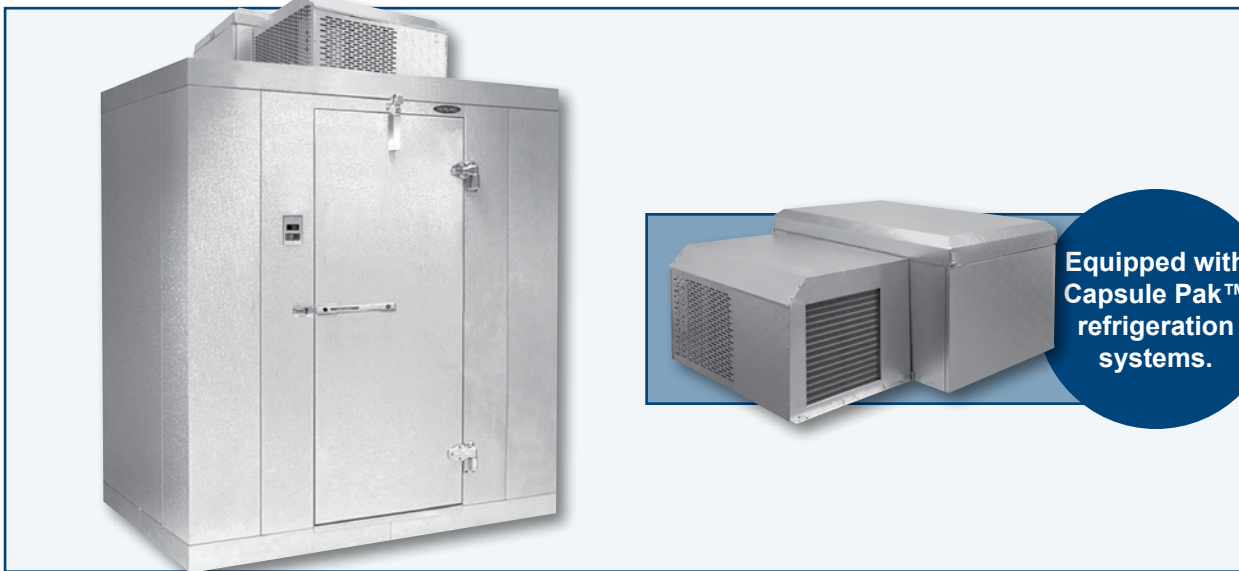




NOR-LAKE, INCORPORATED
727 Second Street
Hudson, Wisconsin 54016

800-955-5253
715-386-2323
866-961-5253 Parts
800-388-5253 Service
715-386-6149 FAX
www.norlake.com

KOLD LOCKER™ WALK-INS



Equipped with
Capsule Pak™
refrigeration
systems.

Standard Model Coolers and Freezers In Stock for SAME DAY SHIPMENT

STANDARD FEATURES

- STANDARD MODELS SHIP THE SAME DAY*
- Cooler or freezer models
- Sizes from 4' x 6' to 10' x 14'
- Three heights: 6'7" & 7'7" with floor; 7'4" floorless
- Indoor or outdoor models
- Two temperatures: +35°F, -10°F
- Capsule Pak™ refrigeration system (ceiling or wall mount) (ordered separately)
- Air-cooled condensing unit (wall mount – 10 day ship)
- Automatic condensate vaporizer. No drain line required on indoor units.**
- Time clock or electronic control provided for automatic defrost on both coolers and freezers
- 26 gauge corrosion resistant stucco embossed coated steel on all surfaces except interior floor
- Smooth aluminum interior floor (on models with floor)
- Floorless models supplied with NSF listed vinyl sealers
- Full 4" thick panels foamed-in-place with EPA-compliant polyurethane insulation
- 26" wide, self-closing door
- Heavy duty adjustable cam-lift hinges
- Spring actuated door closer
- Deadbolt locking handle with independent key/padlock feature and inside safety release
- Magnetic gasket
- Digital thermometer and light switch
- Floor double sweep gasket
- Perimeter door heater wire
- High output low profile LED light positioned above the door to prevent interference with shelving or product
- UL, C-UL listing on complete Capsule Pak™ refrigeration systems (see page 11 for listed components)***
- NSF, UL flame spread 25 or less on all foam cores; UL and CSA electrical listing on door sections ****
- City of Houston listed

- California State listed
- CN UL flame spread listed
- DOE compliant
- Oregon State listed
- USDA accepted
- 15 year panel warranty
- 18 months parts & labor warranty

INDOOR MODELS:

- Hot gas condensate vaporizer available on many models

OUTDOOR MODELS:

- White membrane roof and trim
- Refrigeration hood
- -20°F ambient controls

OPTIONAL FEATURES**

(Most options are available two weeks from receipt of order. Please contact us for specific questions)

- Heights: 8'7" with floor, 8'4" without floor
- U-shaped shelving system
- Floor tread plate kit
- Exterior ramp
- Condensing unit air deflector kit
- Door hood (outdoor models)
- Heater kit for outdoor use where ambient conditions may go below 32°F
- Leak detector/alarm (may be a requirement in some areas)
- Electric vaporizer
- Five year compressor warranty

* Some models ship in 5 or 10 days

** Vaporizer will be field wired to the unit cooler for first half of 2020. Afterward, it will be included with no wiring required.

*** C-UL is Underwriters Laboratories Safety Certification Mark which indicates that UL has tested the equipment to applicable CSA Standards.

**** UL Sanitation is Underwriters Laboratories Sanitation Mark which indicates that UL has tested the equipment to applicable NSF Standards.

KOLD LOCKER™ WALK-INS

KOLD LOCKER™ WALK-INS

WALK-IN SPECIFICATIONS

Kold Locker™ walk-ins are built of modular panels, and are insulated with foamed-in-place EPA-compliant polyurethane insulation. Each panel is designed to ensure ease of installation, long term reliability and high insulating efficiency.

A. All panels are manufactured with male and female mating rails to ensure proper alignment during installation. The polyurethane insulation wraps around the return bend metal seams on both section to create a lightweight panel of exceptional strength and durability. All panels are a full four (4) inches thick and provide a superior insulating value.

B. The foamed-in-place cam locking fasteners ensure an airtight seal for maximum energy efficiency.

C. Kold Locker™ panel gaskets located around the outer perimeter of the panel are continuous, without cuts or breaks at corners. The Nor-Lake patented gasket design provides a foamed-in-place gasket as an integral part of the panel. Gaskets cannot fall off or pull off during shipment or installation.

D. Panels lock together tightly to assure an energy efficient walk-in.

E. Edge caps for ends of floor and ceiling panels are foamed-in-place rather than overlapped or mechanically fastened. Edge caps cannot come loose, and they stay in place through the life of the walk-in.

F. Panel Finishes: Interior and exterior panels are fabricated with 26 gauge corrosion resistant stucco embossed coated steel. Models supplied with a floor will include a smooth aluminum interior floor surface.

G. Insulation: Panels are four (4) inches thick, metal clad and foamed-in-place with HFO polyurethane insulation which is HFC free.

The R-values for 4" HFO panels are:

Cooler:

Walls/Ceilings R-value 25

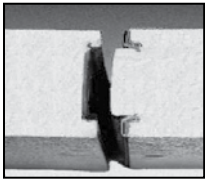
Doors R-value 25

Freezer:

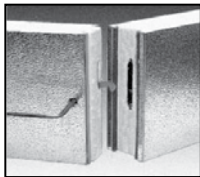
Walls/Ceilings R-value 32

Doors R-value 32

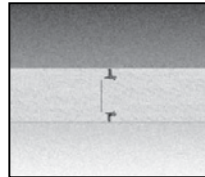
Floors R-value 28



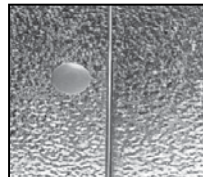
A.



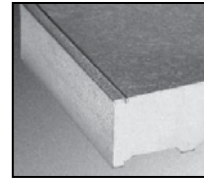
B.



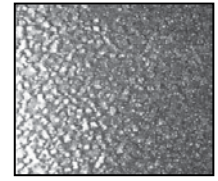
C.



D.



E.



F.

KOLD LOCKER™ WALK-IN AVAILABLE SIZES

The Standard Series of Kold Locker™ walk-ins are all 6'-7" high and are all supplied with a floor. The sizes available are as follows: 4' wide x 6' long, 6' wide x 6' long, 6' wide x 8' long, 6' wide x 10' long, 6' wide x 12' long, 8' wide x 8' long, and 8' wide x 10' long.

The 77 Series of Kold Locker™ walk-ins are all 7'-7" high and are all supplied with a floor. The sizes available are as follows: 6' wide x 6' long, 6' wide x 8' long, 6' wide x 10' long, 6' wide x 12' long, 8' wide x 8' long, and 8' wide x 10' long.

The 74 Series of Kold Locker™ walk-ins are all 7'-3 5/8" high and are all supplied without a floor. Wall panels are installed on top of NSF listed vinyl sealers provided. The sizes available are as follows: 6' wide x 6' long, 6' wide x 8' long, 6' wide x 10' long, 6' wide x 12' long, 8' wide x 8' long, and 8' wide x 10' long.

OUTDOOR MODELS

All Kold Locker™ walk-ins installed outdoors include a weather protection kit consisting of: One piece, 35 mill, white membrane roof material which requires no seaming or gluing to the top of the Kold Locker™ walk-in ceiling panels.

Metal trim for flashing the membrane roof material to the side of the Kold Locker™ walk-in wall panels is included.

Trim is secured to the Kold-Locker™ wall panels with self-drilling and self-tapping TEK screws. In applications where the Kold Locker™ walk-in is installed next to a building, the trim can be used to secure the turned up membrane roof material to the building wall, with fasteners supplied. Door rain hoods are an option and should be included on installations where the door panels are exposed to the outdoor weather.

DOOR

Door sections manufactured at Nor-Lake are factory tested to assure proper fit, performance and alignment. All doors feature a stepped profile design that serves as a barrier to air flow which results in an energy efficient door system. Door sections are 4" thick, metal clad and foamed-in-place with EPA-compliant polyurethane insulation.

Each Kold Locker™ walk-in compartment is equipped with a 26" wide door opening. The height of the door opening varies with the series of Kold Locker™ walk-in ordered. The Standard Series (6'7" high) has a 66" high door opening and the 74 and 77 Series Kold Locker™ walk-ins have a 78" high door opening. The door is self-closing, flush mounted, infitting and constructed to incorporate heavy duty, molded ABS breaker which is permanently foamed-in-place.

Doors are available with right or left side hinges and include two field adjustable cam-lift hinges with locking set screw, top hinge spring loaded, spring actuated door closer, NL 9800 deadbolt locking handle with independent key/padlock feature and inside safety release. The doors are pre-hung in a four foot wide frame panel which is equipped with replaceable perimeter heater wire, magnetic stainless steel trim, digital thermometer, vapor proof LED light fixture and switch with exterior pilot indicator light.

The door section is completely pre-wired within concealed conduit inside the door frame panel. 120/60/1 electrical is field wired to a junction box which is surface mounted next to the interior frame above the vapor proof LED light fixture.

Hinges and door handle are mounted to 1/2" synthetic insulated tapping plates. Each door section is complete with a fiberglass reinforced plastic heated threshold.

DOOR OPENING SIZE		
W	H	MODEL
26"	66"	STD Series
26"	78"	74 Series
26"	78"	77 Series

These doors are designed and certified for use in walk-in cooler applications.

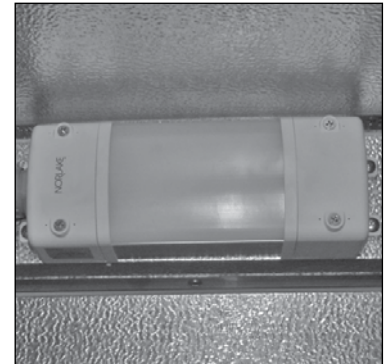
DOOR MODEL NUMBER	ENERGY CONSUMPTION (KWH/DAY)	DOOR SURFACE AREA (SQ. FT.)	ELECTRICAL	WATTS	AMPS
KL26X66	2.37	13.40	120/60/1	100.80	0.84
KL26X78	2.49	15.80	120/60/1	106.07	0.88



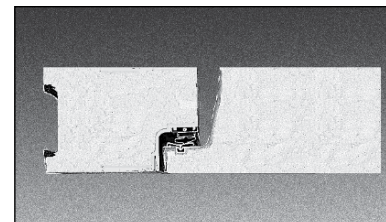
Deadbolt-locking handle



Spring actuated door closer



LED Light Fixture



Doors feature a stepped profile design



Digital Thermometer/ Light Switch

These doors are designed and certified for use in walk-in freezer applications.

DOOR MODEL NUMBER	ENERGY CONSUMPTION (KWH/DAY)	DOOR SURFACE AREA (SQ. FT.)	ELECTRICAL	WATTS	AMPS
KL26X66	6.68	13.40	120/60/1	196.07	1.63
KL26X78	7.01	15.80	120/60/1	207.07	1.73

KOLD LOCKER™ WALK-INS

FLOOR CONSTRUCTION

Floor panels (when supplied) are similar in construction to the wall panels except they are made to withstand uniformly distributed floor loads of up to 800 pounds per square foot. The interior floor metal is smooth aluminum.

The 74 Series, floorless models, are supplied with a patented vinyl floor sealer to stop conductivity at floor level. This unique sealer sits flat on existing floors and fits tightly against the interior/external wall panels. The walk-in wall panel is supported on the shoulder of the sealer so the foam edge is free of compressing weight. The vinyl floor sealer is NSF listed.

SHELVING KITS

Shelving kits specifically designed for each Kold Locker™ walk-in configuration are offered as an optional extra. These kits are shipped with the Kold Locker™ walk-in and Capsule Pak™ refrigeration system so that all necessary components are at your location promptly when you need them. The shelving sets are coded to correspond to the Kold Locker™ walk-in configuration ordered and are offered in either three or four tier.

SHELVING SYSTEM TYPES

A. Green Kote™ Shelving: Electrostatically applied green baked epoxy over zinc steel and brite basic wire. Thickness: 2-3 mill. 15 year guarantee against corrosion.

B. Nor-Lake Standard Chrome Kote™ Shelving: Plated quality wire and steel. Surface nickel chrome plated.

Select the shelving FINISH of your choice. Shelving posts are engineered for maximum strength. Shelves are adjustable on 2" centers. All shelves are NSF listed and are zinc coated with a heavy layer of Protoxy for a maximum life span under humid storage conditions. Special clips are utilized to gain the maximum square footage of storage space for each Kold Locker™ model. 14", 18" and 24" wide shelves are used as required for maximum storage capacity in each set. This wire shelving is ideal for storage of all refrigerated or frozen products.

SHELVES

Shelves to have #9 (.148") ga. crosswires spaced 3/4" on centers with crossbraces 1/4" (.192") minimum of 4-3/4" on center.

Shelf Frames: Channel to be 9/16" x 1" x .075" thick.

Shelf Collars: A round tapered 1-5/16" high steel collar to be welded at each corner.

POSTS

Posts to be .062" thick 1" O.D. round tubing notched every 2" on each corner of the post.

POST LEVELERS

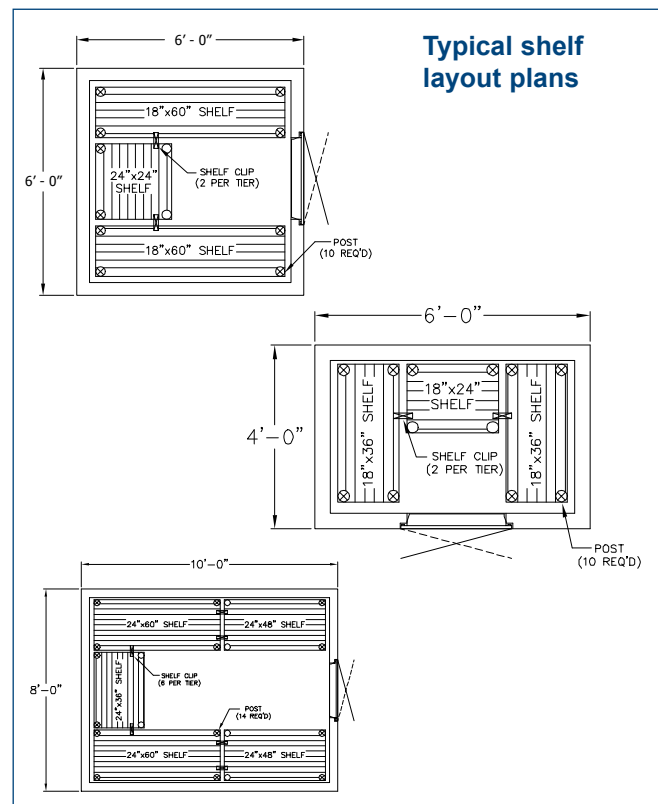
Installed on the bottom of each post is nylon housing for a steel leveler 3/8"-16 x 1-3/4".



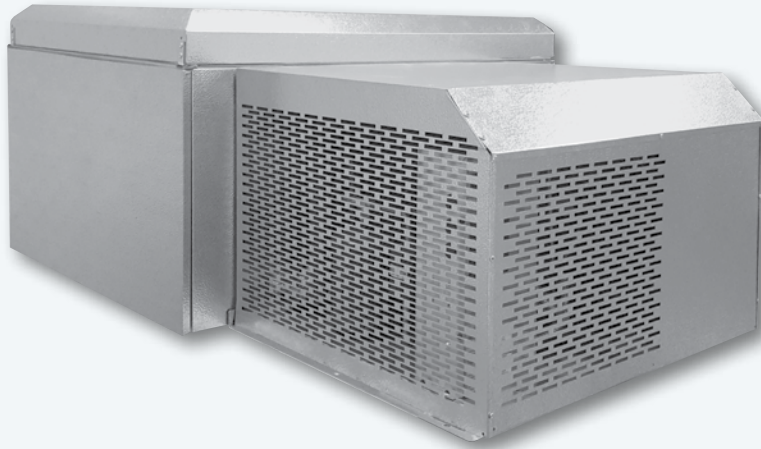
Floorless models are supplied with a patented vinyl floor sealer



Shelving system types include Green Kote™ and Chrome Kote™



STANDARD CAPSULE PAK™ REFRIGERATION SYSTEMS



INDOOR CEILING MOUNT
(OUTDOOR CEILING MOUNT MODELS ALSO AVAILABLE)



WALL MOUNT

Capsule Pak™ refrigeration systems are an ideal solution for simple and rapid installation. Each system consists of a condensing unit and evaporator coil. All models are factory assembled, wired, charged, tested and fully equipped for fast and easy insertion into a factory prepared walk-in opening. Condensing unit and evaporator sections are shipped separately and joined in the field via quick-connect fittings. The evaporator coil is flush mounted in the walk-in panel for maximum interior storage space. The standard Enviro-Control™ electronic controller system provides increased reliability, connectivity and food safety. Installation costs are also greatly reduced because there's no piping or other components requiring field installation.

STANDARD FEATURES

- Available for coolers or freezers
- Indoor or outdoor models
- Two temperatures: +35°F and -10°F
- Ceiling or wall mount
- Air cooled condensing unit
- Scroll™ compressors on most models
- Enviro-Control™ electronic controller system
- Automatic condensate vaporizer (shipped loose), no drain lines required on indoor units*
- Time clock or electronic control provided for automatic defrost on both coolers and freezers
- UL and C-UL electrical listing on complete Capsule Pak™ refrigeration systems**
- AWEF compliant (ceiling mount only)
- -20°F ambient controls (outdoor models)
- 18 months parts and labor warranty

OPTIONAL FEATURES

(Most options are available two weeks from receipt of order. Please contact us for specific questions)

- Condensing unit air deflector kit
- Heater kit for outdoor use where ambient conditions may go below 32°F
- Electric condensate vaporizer (indoor remote models)
- Pre-charged lines (remote models)
- Wiring harness (remote models)
- 5 year compressor warranty

* Vaporizer will be field wired to the unit cooler for first half of 2020. Afterward, it will be included with no wiring required.

** C-UL is Underwriters Laboratories Safety Certification Mark which indicates that UL has tested the equipment to applicable CSA Standards.

KOLD LOCKER™ WALK-INS

CAPSULE PAK™ REFRIGERATION SYSTEM SPECIFICATION

Capsule Pak™ refrigeration systems consist of a pre-charged quick-connect condensing unit and evaporator coil which are factory assembled, wired, charged, tested and fully equipped for insertion into a factory prepared walk-in opening. Condensing unit and evaporator sections are shipped separately and joined in the field via quick-connect fittings. The Capsule Pak™ system has a flush coil which keeps all components outside the walk-in storage area, allowing more storage inside. Models are available for wall or ceiling mounting for use on indoor or outdoor installations. Models are available for interior compartment design temperatures of +35°F and -10°F. Installation is fast and easy. No plumbing required on indoor units.

The Capsule Pak™ evaporator section is a factory assembled component of the complete Capsule Pak™ refrigeration system. The evaporator is designed to be located entirely outside the walk-in with no intrusions into the refrigerated space. The evaporator enclosure is constructed utilizing foamed-in-place polyurethane insulation and equipped with a removable, gasketed access cover. Capsule Pak™ models use high efficiency EC evaporator fan motors to circulate air throughout the walk-in.

All indoor Capsule Pak™ models are equipped with either a discharge gas condensate vaporizer or an optional electric condensate vaporizer. All outdoor Capsule Pak™ models are equipped with low ambient controls consisting of crankcase heater, flooded condenser head pressure control and pump down cycle.

All standard Capsule Pak™ refrigeration systems are stocked for same day shipment.

All standard ceiling mount Capsule Pak™ refrigeration systems are UL and C-UL listed and AWEF compliant.

Note: Allow minimum of 4" clearance above and 25" on each side of the Capsule Pak™ system for installation. Consideration should be given to accessibility for service and free condenser air flow. Consult factory with installation questions.



CEILING MOUNT CAPSULE PAK™ SYSTEM

Ceiling Mount Capsule Pak™ systems are conveniently located on top of the walk-in to maximize available floor space. Available in indoor and outdoor models for single or dual walk-in compartments. Ceiling mount systems are available for same day shipment.

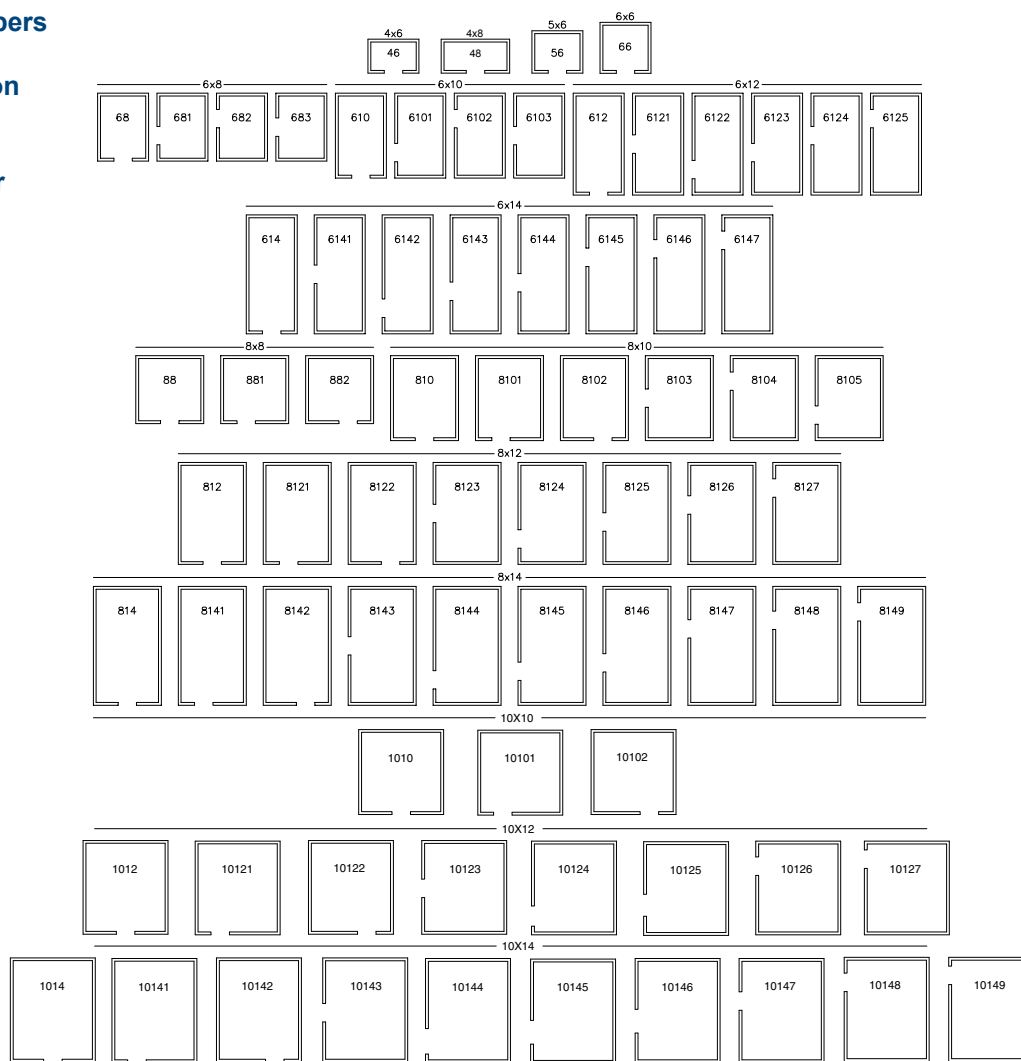


WALL MOUNT CAPSULE PAK™ SYSTEM

The Wall Mount Capsule Pak™ System provides easy access for service and installation where there is not enough room for a ceiling mounted application. Available in indoor models for single or dual walk-in compartments. Wall Mount Systems are available to ship in ten days and feature R-404A refrigerant.

FLOOR PLAN LAYOUTS FOR SINGLE ROOM COOLERS OR FREEZERS

Model numbers indicate the door location on the standard Kold Locker layouts



PHYSICAL SPECIFICATIONS

6'7" HIGH		7'4" HIGH & 7'7" HIGH	
UNIT INTERIOR	CAPACITY CU. FT.	UNIT INTERIOR	CAPACITY CU. FT.
KL46 (4' x 6')	105	KL7746	123
KL56 (5' x 6')	137	KL7756	159
KL66 (6' x 6')	168	KL7766	196
KL68 (6' x 8')	231	KL7768	270
KL610 (6' x 10')	295	KL77610	344
KL612 (6' x 12')	357	KL77612	418
KL614 (6' x 14')	420	KL77614	490
KL88 (8' x 8')	318	KL7788	372
KL810 (8' x 10')	404	KL77810	473
KL812 (8' x 12')	490	KL77812	574
KL814 (8' x 14')	578	KL77814	675
KL1010 (10' x 10')	515	KL771010	602
KL1012 (10' x 12')	625	KL771012	731
KL1014 (10' x 14')	736	KL771014	860

KOLD LOCKER™ WALK-INS

MATCHING CAPSULE PAK™ REFRIGERATION SYSTEMS

KOLD LOCKER™ MODEL SYSTEM MOUNT	-10°F CEILING MOUNT		+38°F to +35°F CEILING MOUNT		+38°F to +35°F WALL MOUNT		-10°F WALL MOUNT	
	MODEL	BTUH*	MODEL	BTUH*	MODEL	BTUH*	MODEL	BTUH*
6'7" HIGH WITH FLOOR								
KL46	RCPF060JC-S-4-EV	2358	RCPB050JC-S-0-EV	4060	CPB050DW	3251	N/A	N/A
KL56	RCPF075JC-S-4-EV	2637	RCPB050JC-S-0-EV	4060	CPB050DW	3251	N/A	N/A
KL66	RCPF075JC-S-4-EV	2637	RCPB050JC-S-0-EV	4060	CPB050DW	3251	N/A	N/A
KL68	RCPF100JC-S-4-EV	3444	RCPB050JC-S-0-EV	4060	CPB050DW	3251	CPF100DW	3960
KL610	RCPF100JC-S-4-EV	3444	RCPB050JC-S-0-EV	4060	CPB050DW	3251	CPF100DW	3960
KL612	RCPF150JC-S-4-EV	6120	RCPB050JC-S-0-EV	4060	N/A	N/A	N/A	N/A
KL614	N/A	N/A	RCPB050JC-S-0-EV	4060	N/A	N/A	N/A	N/A
KL88	RCPF150JC-S-4-EV	6120	RCPB050JC-S-0-EV	4060	CPB050DW	3251	CPF100DW	3960
KL810	RCPF150JC-S-4-EV	6120	RCPB075JC-S-4-EV	6250	CPB075DW	5709	N/A	N/A
KL812	RCPF150JC-S-4-EV	6120	RCPB075JC-S-4-EV	6250	N/A	N/A	N/A	N/A
KL814	RCPF150JC-S-4-EV	6120	RCPB075JC-S-4-EV	6250	N/A	N/A	N/A	N/A
KL1010	RCPF150JC-S-4-EV	6120	RCPB075JC-S-4-EV	6250	N/A	N/A	N/A	N/A
KL1012	RCPF150JC-S-4-EV	6120	RCPB075JC-S-4-EV	6250	N/A	N/A	N/A	N/A
KL1014	RCPF150JC-S-4-EV	6120	RCPB100JC-S-4-EV	8484	N/A	N/A	N/A	N/A
6'7" HIGH WITH FLOOR OUTDOOR								
KOD46	RCPF075JC-E-4-EV	2447	RCPB050JC-E-0-EV	3654	N/A	N/A	N/A	N/A
KOD56	RCPF100JC-E-4-EV	3220	RCPB050JC-E-0-EV	3654	N/A	N/A	N/A	N/A
KOD66	RCPF100JC-E-4-EV	3220	RCPB050JC-E-0-EV	3654	N/A	N/A	N/A	N/A
KOD68	RCPF100JC-E-4-EV	3220	RCPB050JC-E-0-EV	3654	N/A	N/A	N/A	N/A
KOD610	RCPF100JC-E-4-EV	3220	RCPB075JC-E-4-EV	5812	N/A	N/A	N/A	N/A
KOD612	RCPF150JC-E-4-EV	5692	RCPB075JC-E-4-EV	5812	N/A	N/A	N/A	N/A
KOD614	N/A	N/A	RCPB075JC-E-4-EV	5812	N/A	N/A	N/A	N/A
KOD88	RCPF150JC-E-4-EV	5692	RCPB075JC-E-4-EV	5812	N/A	N/A	N/A	N/A
KOD810	RCPF150JC-E-4-EV	5692	RCPB075JC-E-4-EV	5812	N/A	N/A	N/A	N/A
KOD812	RCPF150JC-E-4-EV	5692	RCPB075JC-E-4-EV	5812	N/A	N/A	N/A	N/A
KOD814	RCPF150JC-E-4-EV	5692	RCPB075JC-E-4-EV	5812	N/A	N/A	N/A	N/A
KOD1010	RCPF150JC-E-4-EV	5692	RCPB100JC-E-4-EV	5812	N/A	N/A	N/A	N/A
KOD1012	RCPF150JC-E-4-EV	5692	RCPB100JC-E-4-EV	7890	N/A	N/A	N/A	N/A
KOD1014	RCPF150JC-E-4-EV	5692	RCPB100JC-E-4-EV	7890	N/A	N/A	N/A	N/A
7' 4" HIGH LESS FLOOR - INDOOR ONLY								
KL7446	N/A	N/A	RCPB050JC-S-0-EV	4060	CPB050DW	3251	N/A	N/A
KL7456	N/A	N/A	RCPB050JC-S-0-EV	4060	CPB050DW	3251	N/A	N/A
KL7466	N/A	N/A	RCPB050JC-S-0-EV	4060	CPB050DW	3251	N/A	N/A
KL7468	N/A	N/A	RCPB050JC-S-0-EV	4060	CPB075DW	5709	N/A	N/A
KL74610	N/A	N/A	RCPB050JC-S-0-EV	4060	CPB075DW	5709	N/A	N/A
KL74612	N/A	N/A	RCPB075JC-S-4-EV	6250	N/A	N/A	N/A	N/A
KL74614	N/A	N/A	RCPB075JC-S-4-EV	6250	N/A	N/A	N/A	N/A
KL7488	N/A	N/A	RCPB075JC-S-4-EV	6250	CPB075DW	5709	N/A	N/A
KL74810	N/A	N/A	RCPB075JC-S-4-EV	6250	CPB075DW	5709	N/A	N/A
KL74812	N/A	N/A	RCPB075JC-S-4-EV	6250	N/A	N/A	N/A	N/A
KL74814	N/A	N/A	RCPB100JC-S-4-EV	6250	N/A	N/A	N/A	N/A
KL741010	N/A	N/A	RCPB075JC-S-4-EV	6250	N/A	N/A	N/A	N/A
KL741012	N/A	N/A	RCPB100JC-S-4-EV	8484	N/A	N/A	N/A	N/A
KL741014	N/A	N/A	RCPB100JC-S-4-EV	8484	N/A	N/A	N/A	N/A

*BTUH calculated using 16 hour design runtimes on coolers and 20 hour design runtimes on freezers

KOLD LOCKER™ WALK-INS

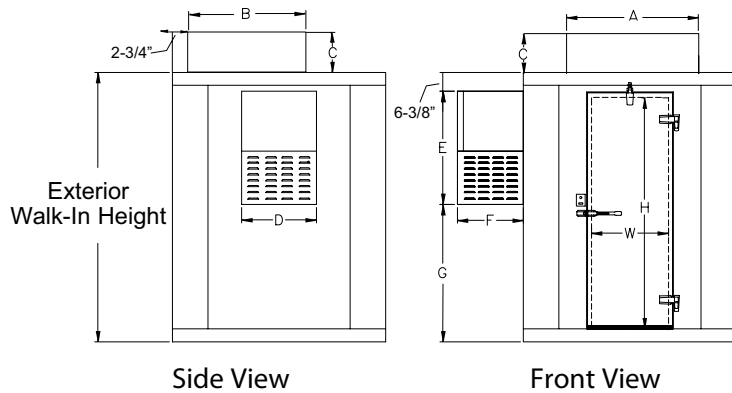
MATCHING CAPSULE PAK™ REFRIGERATION SYSTEMS

KOLD LOCKER™ MODEL SYSTEM MOUNT	-10°F CEILING MOUNT		+38°F to +35°F CEILING MOUNT		+38°F to +35°F WALL MOUNT		-10°F WALL MOUNT	
	MODEL	BTUH*	MODEL	BTUH*	MODEL	BTUH*	MODEL	BTUH*
7' 7" HIGH WITH FLOOR								
KL7746	RCPF075JC-S-4-EV	2637	RCPB050JC-S-0-EV	4060	CPB050DW	3251	N/A	N/A
KL7748	RCPF075JC-S-4-EV	2637	RCPB050JC-S-0-EV	4060	N/A	N/A	N/A	N/A
KL7756	RCPF075JC-S-4-EV	2637	RCPB050JC-S-0-EV	4060	CPB050DW	3251	CPF100DW	3960
KL7766	RCPF100JC-S-4-EV	3444	RCPB050JC-S-0-EV	4060	CPB050DW	3251	CPF100DW	3960
KL7768	RCPF100JC-S-4-EV	3444	RCPB050JC-S-0-EV	4060	CPB050DW	3251	CPF100DW	3960
KL77610	RCPF150JC-S-4-EV	6120	RCPB050JC-S-0-EV	4060	CPB075DW	5709	N/A	N/A
KL77612	RCPF150JC-S-4-EV	6120	RCPB050JC-S-0-EV	4060	N/A	N/A	N/A	N/A
KL77614	N/A	N/A	RCPB075JC-S-4-EV	6250	N/A	N/A	N/A	N/A
KL7788	RCPF150JC-S-4-EV	6120	RCPB075JC-S-4-EV	6250	CPB075DW	5709	N/A	N/A
KL77810	RCPF150JC-S-4-EV	6120	RCPB075JC-S-4-EV	6250	CPB075DW	5709	N/A	N/A
KL77812	RCPF150JC-S-4-EV	6120	RCPB075JC-S-4-EV	6250	N/A	N/A	N/A	N/A
KL77814	RCPF150JC-S-4-EV	6120	RCPB100JC-S-4-EV	6250	N/A	N/A	N/A	N/A
KL771010	RCPF150JC-S-4-EV	6120	RCPB075JC-S-4-EV	6250	N/A	N/A	N/A	N/A
KL771012	RCPF150JC-S-4-EV	6120	RCPB075JC-S-4-EV	6250	N/A	N/A	N/A	N/A
KL771014	RCPF150JC-S-4-EV	6120	RCPB100JC-S-4-EV	8484	N/A	N/A	N/A	N/A
7' 7" HIGH WITH FLOOR OUTDOOR								
KOD7746	RCPF075JC-E-4-EV	2447	RCPB050JC-E-0-EV	3654	N/A	N/A	N/A	N/A
KOD7756	RCPF100JC-E-4-EV	3220	RCPB050JC-E-0-EV	3654	N/A	N/A	N/A	N/A
KOD7766	RCPF100JC-E-4-EV	3220	RCPB050JC-E-0-EV	3654	N/A	N/A	N/A	N/A
KOD7768	RCPF100JC-E-4-EV	3220	RCPB050JC-E-0-EV	3654	N/A	N/A	N/A	N/A
KOD77610	RCPF150JC-E-4-EV	5692	RCPB050JC-E-0-EV	3654	N/A	N/A	N/A	N/A
KOD77612	RCPF150JC-E-4-EV	5692	RCPB075JC-E-4-EV	5812	N/A	N/A	N/A	N/A
KOD77614	N/A	N/A	RCPB075JC-E-4-EV	5812	N/A	N/A	N/A	N/A
KOD7788	RCPF150JC-E-4-EV	5692	RCPB075JC-E-4-EV	5812	N/A	N/A	N/A	N/A
KOD77810	RCPF150JC-E-4-EV	5692	RCPB075JC-E-4-EV	5812	N/A	N/A	N/A	N/A
KOD77812	RCPF150JC-E-4-EV	5692	RCPB100JC-E-4-EV	7890	N/A	N/A	N/A	N/A
KOD77814	RCPF150JC-E-4-EV	5692	RCPB100JC-E-4-EV	7890	N/A	N/A	N/A	N/A
KOD771010	RCPF150JC-E-4-EV	5692	RCPB075JC-E-4-EV	5812	N/A	N/A	N/A	N/A
KOD771012	RCPF150JC-E-4-EV	5692	RCPB100JC-E-4-EV	7890	N/A	N/A	N/A	N/A
KOD771014	RCPF150JC-E-4-EV	5692	RCPB100JC-E-4-EV	7890	N/A	N/A	N/A	N/A
8'4" HIGH LESS FLOOR								
KL8466	N/A	N/A	RCPB050JC-S-0-EV	4060	N/A	N/A	N/A	N/A
KL8468	N/A	N/A	RCPB050JC-S-0-EV	4060	N/A	N/A	N/A	N/A
KL84610	N/A	N/A	RCPB050JC-S-0-EV	4060	N/A	N/A	N/A	N/A
KL84612	N/A	N/A	RCPB075JC-S-4-EV	6250	N/A	N/A	N/A	N/A
KL84614	N/A	N/A	RCPB100JC-S-4-EV	8484	N/A	N/A	N/A	N/A
KL8488	N/A	N/A	RCPB075JC-S-4-EV	6250	N/A	N/A	N/A	N/A
KL84810	N/A	N/A	RCPB075JC-S-4-EV	6250	N/A	N/A	N/A	N/A
KL84812	N/A	N/A	RCPB100JC-S-4-EV	8484	N/A	N/A	N/A	N/A
KL84814	N/A	N/A	RCPB100JC-S-4-EV	8484	N/A	N/A	N/A	N/A
8'7" HIGH WITH FLOOR								
KL8766	RCPF100JC-S-4-EV	3444	RCPB050JC-S-0-EV	4060	N/A	N/A	N/A	N/A
KL8768	RCPF100JC-S-4-EV	3444	RCPB050JC-S-0-EV	4060	N/A	N/A	N/A	N/A
KL87610	RCPF150JC-S-4-EV	6120	RCPB050JC-S-0-EV	4060	N/A	N/A	N/A	N/A
KL87612	RCPF150JC-S-4-EV	6120	RCPB075JC-S-4-EV	6250	N/A	N/A	N/A	N/A
KL87614	N/A	N/A	RCPB075JC-S-4-EV	6250	N/A	N/A	N/A	N/A
KL8788	RCPF150JC-S-4-EV	6120	RCPB075JC-S-4-EV	6250	N/A	N/A	N/A	N/A
KL87810	RCPF150JC-S-4-EV	6120	RCPB075JC-S-4-EV	6250	N/A	N/A	N/A	N/A
KL87812	N/A	N/A	RCPB100JC-S-4-EV	8484	N/A	N/A	N/A	N/A
KL87814	N/A	N/A	RCPB100JC-S-4-EV	8484	N/A	N/A	N/A	N/A
8'7" HIGH WITH FLOOR OUTDOOR								
KOD8766	RCPF100JC-E-4-EV	3220	RCPB050JC-E-0-EV	3654	N/A	N/A	N/A	N/A
KOD8768	RCPF100JC-E-4-EV	3220	RCPB050JC-E-0-EV	3654	N/A	N/A	N/A	N/A
KOD87610	RCPF150JC-E-4-EV	5692	RCPB050JC-E-0-EV	3654	N/A	N/A	N/A	N/A
KOD87612	RCPF150JC-E-4-EV	5692	RCPB075JC-S-4-EV	6250	N/A	N/A	N/A	N/A
KOD87614	N/A	N/A	RCPB075JC-S-4-EV	6250	N/A	N/A	N/A	N/A
KOD8788	RCPF150JC-E-4-EV	5692	RCPB075JC-S-4-EV	6250	N/A	N/A	N/A	N/A
KOD87810	RCPF150JC-E-4-EV	5692	RCPB075JC-S-4-EV	6250	N/A	N/A	N/A	N/A
KOD87812	N/A	N/A	RCPB100JC-S-4-EV	8484	N/A	N/A	N/A	N/A
KOD87814	N/A	N/A	RCPB100JC-S-4-EV	8484	N/A	N/A	N/A	N/A

*BTUH calculated using 16 hour design runtimes on coolers and 20 hour design runtimes on freezers

KOLD LOCKER™ WALK-INS

CAPSULE PAK™ PHYSICAL SPECIFICATIONS



Side View

Front View

DOOR OPENING SIZE

W	H	MODEL
26"	66"	STD Series
26"	78"	74 Series
26"	78"	77 Series

CEILING MOUNT MODEL NO.	"A" DIMENSION	"B" DIMENSION	"C" DIMENSION
RCPB050JC-S-0-EV	46"	59-1/2"	25"
RCPB050JC-E-0-EV	46"	59-1/2"	25"
RCPB075JC-S-4-EV	46"	59-1/2"	25"
RCPB075JC-E-4-EV	46"	59-1/2"	25"
RCPB100JC-S-4-EV	46"	59-1/2"	25"
RCPB100JC-E-4-EV	46"	59-1/2"	25"
RCPF060JC-S-4-EV	46"	59-1/2"	25"
RCPF060JC-E-4-EV	46"	59-1/2"	25"
RCPF075JC-S-4-EV	46"	59-1/2"	25"
RCPF075JC-E-4-EV	46"	59-1/2"	25"
RCPF100JC-S-4-EV	46"	59-1/2"	25"
RCPF100JC-E-4-EV	46"	59-1/2"	25"
RCPF150JC-S-4-EV	46"	59-1/2"	25"
RCPF150JC-E-4-EV	46"	59-1/2"	25"
RCPF200JC-S-4-EV	46"	59-1/2"	25"
RCPF200JC-E-4-EV	46"	59-1/2"	25"

WALL MOUNT MODEL NO.	"D" DIMENSION	"E" DIMENSION	"F" DIMENSION	"G" DIMENSION			
				EXTERIOR WALK-IN HEIGHT			
				6'	6'7"	7'4"	7'7"
CPB050DW	25-1/4"	38"	22-1/4"	27-3/8"	34-3/8"	43"	46-3/8"
CPB075DW	44-1/8"	45"	30"	N/A	27-5/8"	36-1/4"	39-5/8"
CPF100DW	44-1/8"	45"	30"	N/A	27-5/8"	36-1/4"	39-5/8"

NOTE:

- Consideration must be given to accessibility for service & free condenser air flow. Consult factory with installation questions.
- +90°F ambient or less and 50% RH
- Subject to change without notice

CAPSULE PAK™ ELECTRICAL DATA (ALL SYSTEMS USE R449A REFRIGERANT)

MODEL	ELECTRICAL	TOTAL SYSTEM AMPS	TOTAL DEFROST AMPS	MCA	NEMA PLUG OR FUSE SIZE	CONDENSING UNIT AWEF
CEILING MOUNT						
RCPB050JC-S-0-EV	115/60/1	9.47	N/A	11.35	15	5.61
RCPB050JC-E-0-EV	115/60/1	9.76	N/A	10.54	15	7.6
RCPB075JC-S-4-EV	208-230/60/1	7.7	N/A	8.85	15	5.61
RCPB075JC-E-4-EV	208-230/60/1	7.87	N/A	9.37	15	7.6
RCPB100JC-S-4-EV	208-230/60/1	9.7	N/A	11.7	15	5.61
RCPB100JC-E-4-EV	208-230/60/1	8.17	N/A	9.75	15	7.6
RCPF060JC-S-4-EV	208-230/60/1	7.4	8.69	8.98	15	N/A
RCPF060JC-E-4-EV	208-230/60/1	7.62	8.69	9.15	15	N/A
RCPF075JC-S-4-EV	208-230/60/1	7.45	8.69	8.98	15	N/A
RCPF075JC-E-4-EV	208-230/60/1	7.62	8.69	9.15	15	N/A
RCPF100JC-S-4-EV	208-230/60/1	9.1	8.69	10.95	15	N/A
RCPF100JC-E-4-EV	208-230/60/1	9.27	8.69	10.04	15	N/A
RCPF150JC-S-4-EV	208-230/60/1	15.3	8.69	17.79	30	N/A
RCPF150JC-E-4-EV	208-230/60/1	15.47	8.69	18.87	30	N/A
RCPF200JC-S-4-EV	208-230/60/1	N/A	8.69	N/A	N/A	N/A
RCPF200JC-E-4-EV	208-230/60/1	N/A	8.69	N/A	N/A	N/A

Suffix "E" = outdoor models, suffix "S" = indoor models

WALL MOUNT						
CPB050DW	115/60/1	11.2	N/A	N/A	5-20P*	N/A
CPB075DW	208/230-60-1	8.7	N/A	N/A	6-15P*	N/A
CPF100DW	208-230/60/1	11.4	7.1	14.9	20	N/A

*System comes with cord and plug

Note:

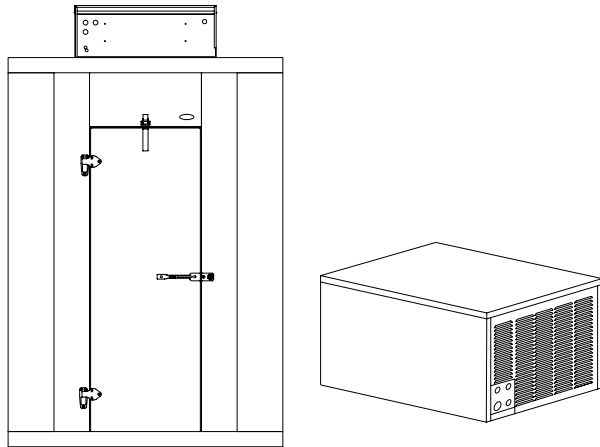
- Outdoor "E" systems include ambient controls and weather-proof hoods. Also available are optional pre-charged systems with quick connects for simple field connections to pre-charged line lengths of your choice.
- Wall mount systems, built prior to 2020, contain R-404A refrigerant.
- Consult factory for application specifics, pricing and ship date availabilities.
- All close-coupled Capsule Pak systems require one power supply and include an electrical harness to connect the condensing unit and evaporator sections.

CAPSULE PAK™ COMPONENT LISTING

UL SA12403 Sec 3	UL File TBD	Remote CP model
Cond. Unit Assy. P/N	Evap. Cowl Assy. P/N	
169375	169395	RCPB050JC-S-0-EV
169383	169396	RCPB050JC-E-0-EV
169379	169397	RCPB075JC-S-4-EV
169384	169398	RCPB075JC-E-4-EV
169377	169397	RCPB100JC-S-4-EV
169385	169398	RCPB100JC-E-4-EV
170249	169399	RCPF060JC-S-4-EV
169386	169400	RCPF060JC-E-4-EV
170249	169321	RCPF075JC-S-4-EV
169386	169401	RCPF075JC-E-4-EV
169380	169321	RCPF100JC-S-4-EV
169388	169401	RCPF100JC-E-4-EV
169381	169321	RCPF150JC-S-4-EV
169389	169401	RCPF150JC-E-4-EV
169382	169321	RCPF200JC-S-4-EV
169390	169401	RCPF200JC-E-4-EV

KOLD LOCKER™ WALK-INS

REMOTE CAPSULE PAK™ REFRIGERATION SYSTEMS (ALL SYSTEMS USE R-449A REFRIGERANT)



Outdoor "E" systems include ambient controls and weather-proof hoods. Also available are optional pre-charged systems with quick connects for simple field connections to pre-charged line lengths of your choice (applicable to indoor walk-ins and remote condensing units).

Consult factory for application specifics, pricing, and ship date availabilities.

MODEL NUMBER	REFRIG. OPENING SIZE	CONDENSING UNIT				
		VOLTAGE	COND. AMPS	MIN. CIRCUIT AMPS	MAX FUSE SIZE	AWEF

CEILING MOUNT 35°F COOLER SYSTEMS

RCPB050JC-E-0-EV	25 X 37.38	115/60/1	9.76	10.54	15	7.6
RCPB075JC-E-4-EV	25 X 37.38	208-230/60/1	7.87	9.37	15	7.6
RCPB100JC-E-4-EV	25 X 37.38	208-230/60/1	8.17	9.75	15	7.6

CEILING MOUNT -10°F FREEZER SYSTEMS

RCPF060JC-E-4-EV	25 X 37.38	208-230/60/1	7.62	9.15	15	N/A
RCPF075JC-E-4-EV	25 X 37.38	208-230/60/1	7.62	9.15	15	N/A
RCPF100JC-E-4-EV	25 X 37.38	208-230/60/1	9.27	10.04	15	N/A
RCPF150JC-E-4-EV	25 X 37.38	208-230/60/1	15.47	18.87	30	N/A
RCPF200JC-E-4-EV	25 X 37.38	208-230/60/1	12.4	16.3	20	N/A

EVAPORATOR UNIT				
VOLTAGE	DEFROST AMPS	EVAP AMPS	MIN. CIRCUIT AMPS	MAX FUSE SIZE

230/60/1	N/A	1.1	1.1	15
230/60/1	N/A	0.6	0.6	15
230/60/1	N/A	0.6	0.6	15

230/60/1	8.69	0.6	8.69	15
230/60/1	8.69	0.6	8.69	15
230/60/1	8.69	0.6	8.69	15
230/60/1	8.69	0.6	8.69	15
230/60/1	8.69	0.6	8.69	15

Optional Electric Condensate Vaporizer

Exclusive to Nor-Lake is the Electric Condensate Vaporizer for Remote Capsule Pak™ Systems. This UL and C-UL approved product requires no drain lines on indoor applications, which makes installation fast and easy and allows equipment to be operational in a shorter time frame.

