



NOVA™ V FREEZERS



NF241

NF522

NF803

PROJECT:

ITEM NUMBER:

MODEL NUMBER:

1, 2 & 3 door FREEZERS

SPECIFICATIONS FOR: NF241, NF522 & NF803

- Exterior finish: Exterior front, sides and doors are stainless steel. The exterior top, bottom and back are galvanized steel. All exterior joints and seams fold in without lap joints. No exposed raw edges.
- Interior finish: Interior liner and interior door panel are stainless steel.
- Insulation: The complete cabinet and door(s) are foamed-in-place with polyurethane foam insulation.
- Hardware: Heavy duty, pivot hinges; centered key locks; horizontal work flow pull handles; self adjusting magnetic gaskets; 4" dia. casters (4 casters on one and two door models and six casters on three door model). 3 epoxy coated shelves per door section - standard.
- Electrical: All models are standard with complete perimeter, anti-condensate door opening heater wires. An interior incandescent light is activated by a switch for each door.
- Instrumentation: Microprocessor with digital display.
- Refrigeration: Complete top mounted refrigeration system with a copper tube, aluminum fin evaporator. The condensate is collected and automatically evaporated from a hot gas evaporator pan increasing the efficiency of the system. Refrigerant flow is controlled by a thermostatic expansion valve. R-404a refrigerant. Operating temperature: 0°F.
- Approvals:
 - UL listed
 - C-UL listed**
 - UL Sanitation listed**
 - Energy Star
 - MEA listed

STANDARD FEATURES

- Air-cooled condensing unit
- Automatic condensate evaporation
- Automatic defrost
- Casters
- Door opening heaters
- Epoxy coated shelves
- Expansion valve system
- Field reversible doors
- Horizontal work flow handle
- Key locks
- Magnetic gasketing
- Microprocessor with digital display
- Operating temperature: 0°F
- Polyurethane insulation
- R-404A refrigerant
- Recessed interior light
- Stainless steel exterior
- Stainless steel interior
- Stocked for same day shipment
- UL, C-UL & UL Sanitation listed**
- Energy Star
- MEA listed
- Warranties: 1 year parts plus 18 month labor/service

OPTIONAL FEATURES*

- Alarm systems
- Extra shelves
- Half solid doors
- Legs in lieu casters
- Pan slides
- Stainless steel backs
- Stainless steel shelves
- 220/50/1 CE approved for export
- Warranties: 5 year compressor

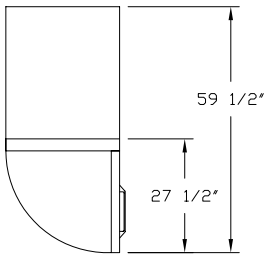


Nor-Lake, Inc.
Registered to ISO 9001:2000
File No. A3204

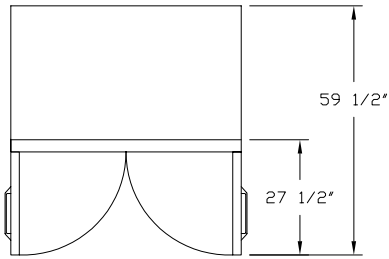
* Most options are available two weeks from receipt of order. Please contact us for specific questions.

**C-UL is Underwriters Laboratories Safety Certification Mark which indicates that UL has tested the equipment to applicable CSA Standards.

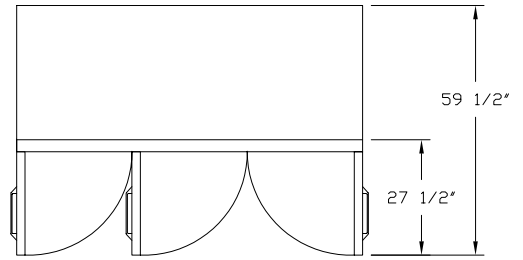
**UL Sanitation is Underwriters Laboratories Sanitation Mark which indicates that UL has tested the equipment to applicable NSF Standards.



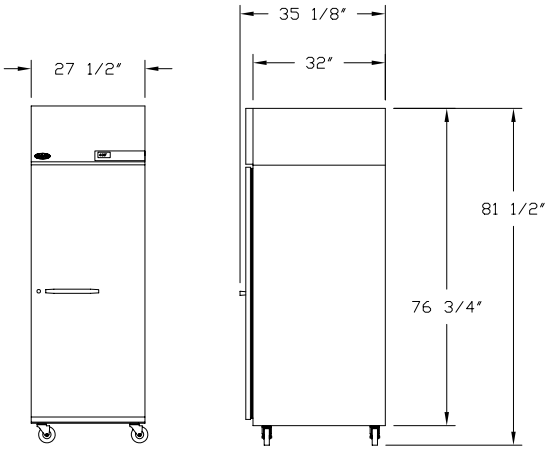
NF241



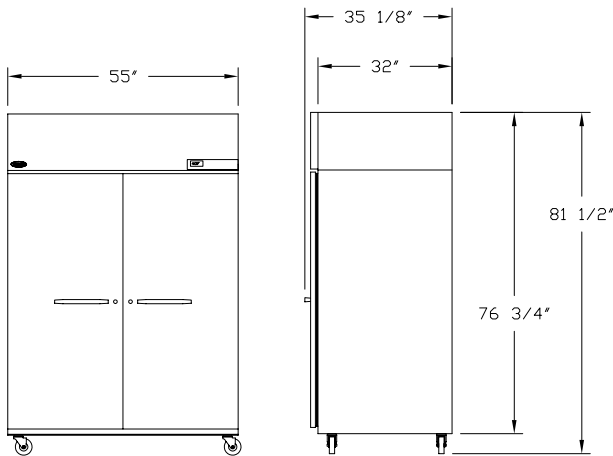
NF522



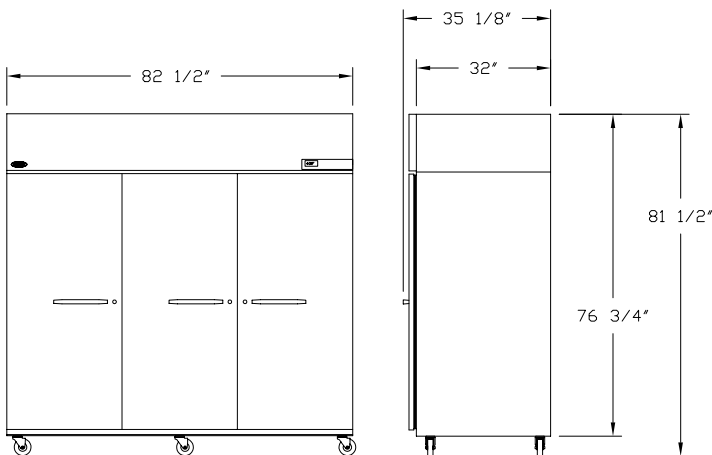
NF803



NF241



NF522



NF803

SPECIFICATIONS			
	NF241	NF522	NF803
<i>Crated Height</i>	81"	81"	81"
<i>Crated Width</i>	31"	59"	86"
<i>Crated Depth</i>	38"	38"	38"
<i>Crated Weight (lbs)</i>	375	660	805
<i>Interior Height</i>	59"	59"	59"
<i>Interior Width</i>	23-1/2"	51"	78-1/2"
<i>Interior Depth</i>	28"	28"	28"
<i>Overall Height*</i>	81-1/2"	81-1/2"	81-1/2"
<i>Overall Width</i>	27-1/2"	55"	82-1/2"
<i>Overall Depth</i>	34-7/8"	34-7/8"	34-7/8"
<i>Gross Cubage (ft.³)</i>	24.0	51.9	79.9
<i>Shelf Area (sq. ft.)</i>	16.6	36.1	55.6
<i>Number of Shelves</i>	3	6	9
<i>Number of Casters</i>	4	4	6
<i>Number of Legs</i>	4	4	6
<i>Condensing Unit Size</i>	1/2	3/4	3/4
<i>Refrigerant</i>	R-404A	R-404A	R-404A
<i>Electrical Characteristics</i>	115/60/1	115/60/1	115/208-230/60/1
<i>Cord & Plug Furnished</i>	Yes	Yes	Yes
<i>Maximum Fuse Size</i>	15	20	15
<i>NEMA Plug Configuration</i>	5-15P	5-15P	L14-20P
<i>Total Amp Draw</i>	12	12.4	7.8

* The overall heights shown in the table and drawings are with casters. With optional 6" legs the overall height is 82-3/4".

Specifications subject to change without notice.



Revision Date: 2/05
 © 2005 NOR-LAKE, INC.
 Printed in the U.S.A.
 Part Number: 040342

