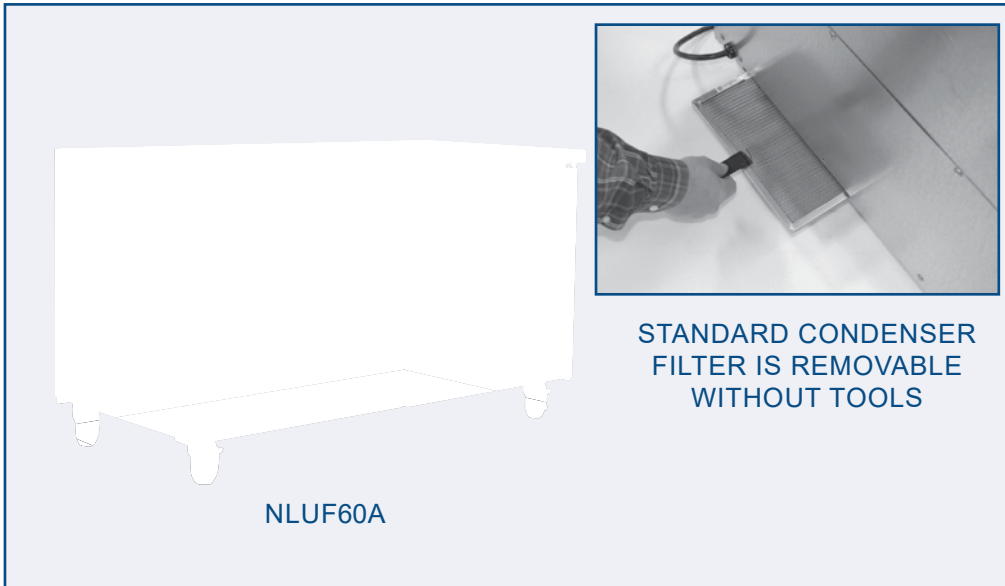




NOR-LAKE, INCORPORATED
727 Second Street
Hudson, Wisconsin 54016

800-955-5253
715-386-2323
866-961-5253 Parts
800-388-5253 Service
715-386-6149 FAX
www.norlake.com

ADVANTEDGE™ UNDERCOUNTER / WORKTABLE FREEZERS



PROJECT:
.....
ITEM NUMBER:
.....
MODEL NUMBER:
.....

UNDERCOUNTER / WORKTABLE FREEZERS

SPECIFICATIONS FOR: NLUF27A, NLUF48A, NLUF60A

- **Finish:** Stainless steel interior and exterior
- **Insulation:** Complete cabinet and doors are foamed-in-place with polyurethane insulation
- **Hardware:** Curved handle with recessed pocket; one vinyl coated shelf per door; 6" overall height casters; front-breathing design allows for zero-clearance installation on sides, back and top
- **Electrical:** 115 volt, 60 Hz, 1 phase with cord and plug
- **Refrigeration:** Self-contained forced air refrigeration system. Condensate is collected and automatically evaporated from an energy efficient vaporizer. Refrigerant flow controlled by a capillary tube. R513a refrigerant. Temperature range: -5°F to 0°F
- **Approvals:** UL, C-UL Safety and UL Sanitation listed **, ADA compliant ***

STANDARD FEATURES

- Air cooled condensing unit
- Automatic condensate vaporizer
- Automatic defrost
- Capillary tube system
- Casters
- Curved handle with recessed pocket
- Magnetic gaskets
- Self-closing doors
- Stainless steel interior and exterior
- Vinyl coated shelves
- UL, C-UL Safety and UL Sanitation listed **
- Warranties: 3 year parts & labor, 5 year compressor

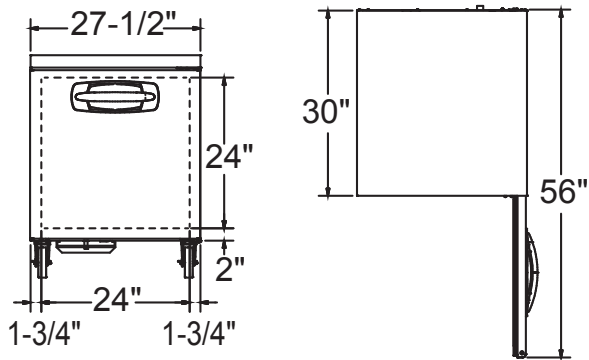
OPTIONAL FEATURES*

- Additional shelves
- Stainless steel backsplash
- Low profile casters ***
- Single and double overself assemblies
- Stacking kit, 27" model only
- 4" Base kit
- 6" Legs
- Door locks

* Most options are available two weeks from receipt of order. Please contact us for specific questions.

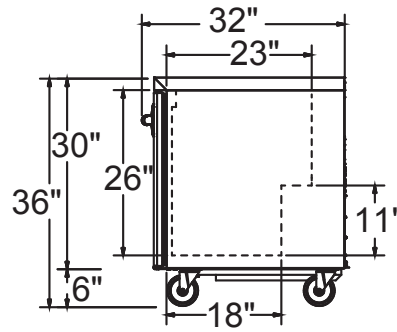
** C-UL is Underwriters Laboratories Safety Certification Mark which indicates that UL has tested the equipment to applicable CSA Standards.

*** UL Sanitation is Underwriters Laboratories Sanitation Mark which indicates that UL has tested the equipment to applicable NSF Standards..



FRONT VIEW
NLUF27A

TOP VIEW

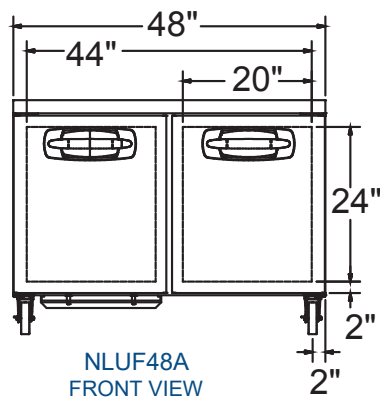


ALL MODELS
SIDE VIEW

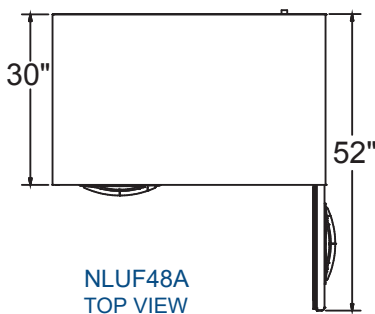
SPECIFICATIONS

Models	NLUF27A	NLUF48A	NLUF60A
Crated Weight (lbs) (kg)	195 (89)	265 (120)	320 (145)
Crated Height (in) (cm)	36-1/4 (92)	36-1/4 (92)	36-1/4 (92)
Crated Width (in) (cm)	30-1/8 (75)	51-1/8 (130)	63 (160)
Crated Depth (in) (cm)	33-1/2 (85)	33-1/2 (85)	33-1/2 (85)
Interior Height (in) (cm)	26-1/8 (66)	26-1/8 (66)	26-1/8 (66)
Interior Width (in) (cm)	24 (61)	44 (112)	56 (142)
Interior Depth (in) (cm)	23 (58)	23 (58)	23 (58)
Overall Height (in) (cm)	36 (91)	36 (91)	36 (91)
Overall Width (in) (cm)	27-1/2 (70)	48 (122)	60 (152)
Overall Depth (in) (cm)	30 (76)	30 (76)	30 (76)
Gross Cubage (CuFt) (L)	7.2 (203)	13.4 (379)	16.2 (458)
Number of Shelves	1	2	2
Shelf Area (SqFt) (Sqm)	2.75 (0.26)	5.30 (0.49)	7.32 (0.68)
Number of Casters	4	4	4
Condensing Unit Size	1/3 HP	1/2 HP	1/2 HP
Refrigerant	R513a	R513a	R513a
Electrical Characteristics	115/60/1	115/60/1	115/60/1
Cord and Plug Furnished	Yes	Yes	Yes
NEMA Plug Configuration	5-15P	5-15P	5-15P
Total Amp Draw	4.7	6.1	3.1

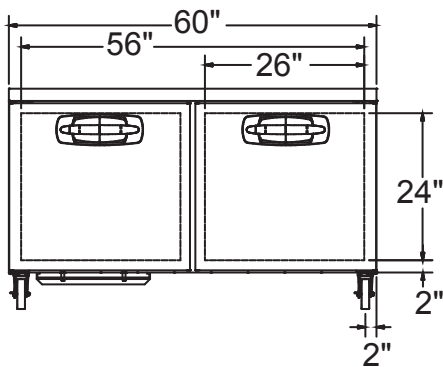
Specifications subject to change without notice.



NLUF48A
FRONT VIEW

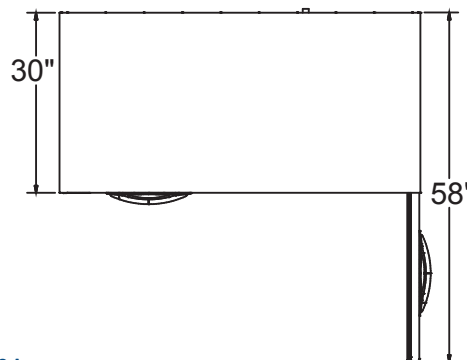


NLUF48A
TOP VIEW



FRONT VIEW

NLUF60A



TOP VIEW



Revision Date: 4/18
Part Number: 146623