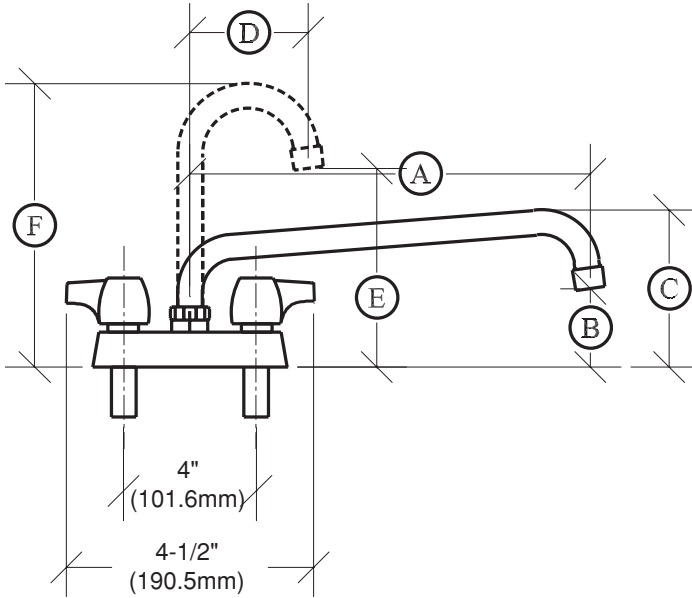


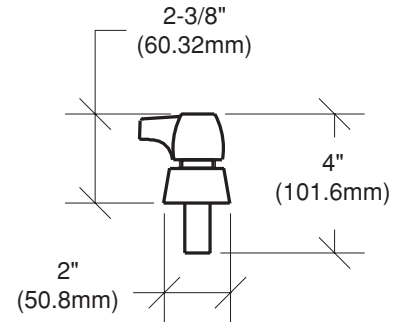
Model: _____

Item #: _____ Quantity: _____

Project: _____



Front View



Side View

Gooseneck Spouts

| MODEL NO. | A | B | C |
|-----------|-----|--------|--------|
| 11-406 | 6" | 1 7/8" | 4 3/8" |
| 11-412 | 12" | 2 5/8" | 5 1/8" |

| MODEL NO. | D | E | F |
|-----------|--------|--------|----|
| 11-400 | 3 1/2" | 5 3/8" | 8" |

FEATURES:

- HEAVY DUTY SPOUT WITH DOUBLE O-RING CONSTRUCTION WITH WELDED SHOULDER FOR DURABILITY
- HIGH PRECISION MACHINING AND POLISHED NICKEL CHROMIUM FINISH
- COLOR CODED HANDLES
- OPTIONAL WRIST BLADE HANDLES AVAILABLE
- FULL REPLACEMENT PARTS AVAILABLE

SPECS:

- 4" ON CENTER DECK MOUNT WITH 1/2" NPT MALE INLETS
- ROUGH IN: TWO 7/8" ROUND HOLES ON 4" CENTERS
- SHIPPING WEIGHT: 3 LBS

Approved By: _____