



# ROYAL SERIES PLUMBING 4" CENTER DECK MOUNT FAUCETS

MODEL: \_\_\_\_\_ PROJECT: \_\_\_\_\_ ITEM #: \_\_\_\_\_ QTY: \_\_\_\_\_

## PRODUCT IMAGE



15-312L SHOWN

**15-3XXL SERIES ONLY AVAILABLE IN  
LOW LEAD COMPLIANT MODELS**

## STANDARD FEATURES

- 1/4 turn high performance ceramic cartridge valve with built-in back flow preventers
- Heavy-Duty solid brass spout with double O-Ring construction and welded shoulder for durability
- High precision machining and polished nickel chromium finish
- Color-coded handles
- Optional wrist blade handles available
- Full replacement parts available
- Mounting kit included
- 1 Year Warranty
- **Low Lead Compliance**  
All models meet California AB-1953 and Vermont S152 standards

## SPECIFICATIONS

- 4" on center deck mount with 1/2" NPT male inlets
- Rough in: Two 7/8" round holes on 4" centers
- Temperature Range: 40°F to 180°F
- Flow rate: 2 GPM max
- Shipping weight: 5 lbs.



### APPROVED BY:

### CERTIFICATIONS:

Due to our commitment to continued product improvement, specifications are subject to change without notice.

Printed in the USA

**Krowne Metal Corporation**

100 Haul Rd. Wayne, NJ 07470 • Toll Free: (800) 631-0442 • Fax: (973) 872-1129  
sales@krowne.com • www.krowne.com • www.facebook.com/KrowneMetal • www.twitter.com/KrowneMetal

KaTom Restaurant Supply, Inc.

Rev. 05/2012  
No. 15-3XXL



# ROYAL SERIES PLUMBING

## 4" CENTER DECK MOUNT FAUCETS

MODEL: \_\_\_\_\_ PROJECT: \_\_\_\_\_ ITEM #: \_\_\_\_\_ QTY: \_\_\_\_\_

### MODELS

#### STANDARD SPOUTS

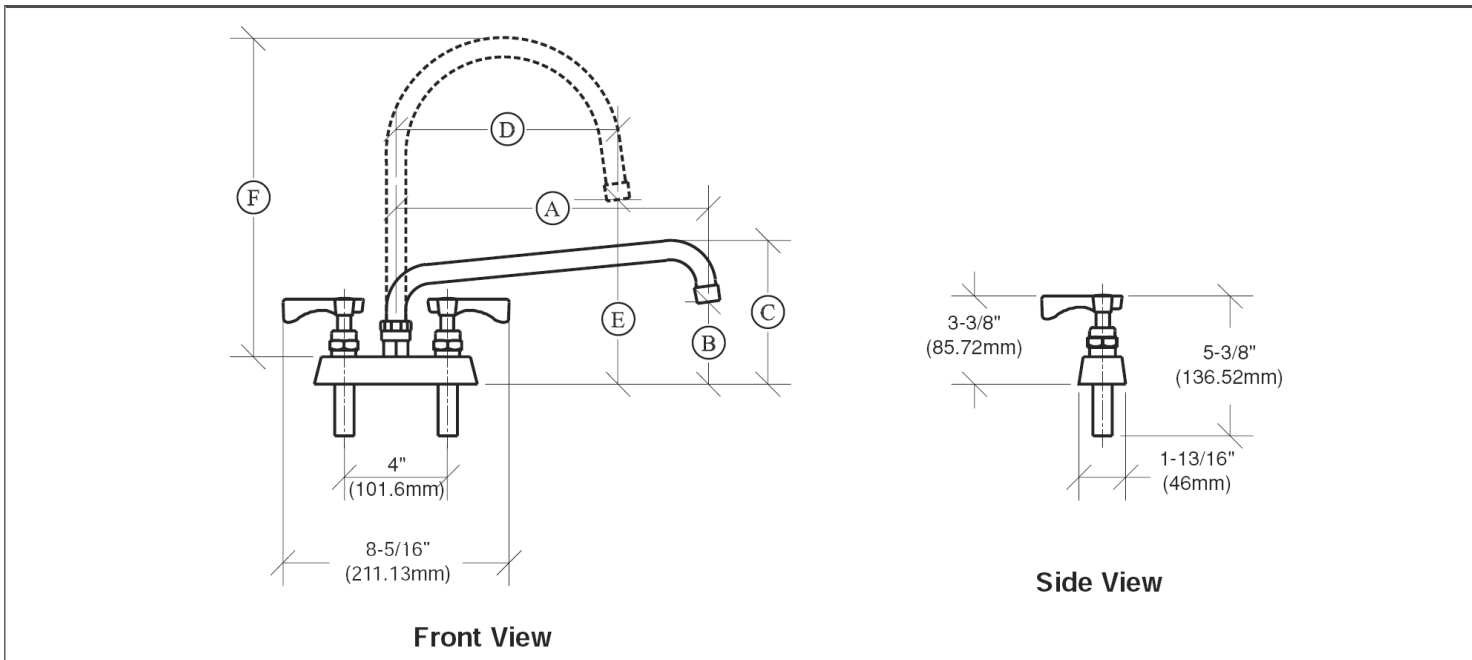
Model Numbers	Ⓐ	Ⓑ	Ⓒ
15-306L	6"	2 1/2"	5"
15-308L	8"	2 1/2"	5"
15-310L	10"	2 3/4"	5 1/4"
15-312L	12"	3 1/4"	5 3/4"
15-314L	14"	3 5/8"	6 1/8"
15-316L	16"	4 5/8"	7 1/8"
15-3XXL*	N/A	N/A	N/A

\*Base Model - Does not come with spout

#### GOOSENECK SPOUTS

Model Numbers	Ⓓ	Ⓔ	Ⓕ
15-325L	3 1/2"	5 7/8"	8 1/2"
15-301L	6"	6"	10"
15-302L	8 1/2"	7 5/8"	13"

### DRAWING



#### APPROVED BY:

Due to our commitment to continued product improvement, specifications are subject to change without notice.

#### CERTIFICATIONS:

Printed in the USA

**Krowne Metal Corporation**  
 100 Haul Rd. Wayne, NJ 07470 • Toll Free: (800) 631-0442 • Fax: (973) 872-1129  
 sales@krowne.com • www.krowne.com • www.facebook.com/KrowneMetal • www.twitter.com/KrowneMetal  
 KaTom Restaurant Supply, Inc.

Rev. 05/2012  
 No. 15-3XXL