



ROYAL SERIES PLUMBING SERVICE FAUCET with LONG SPOUT

MODEL: **16-127** PROJECT: _____ ITEM #: _____ QTY: _____

PRODUCT IMAGE



16-127 SHOWN

**THIS PRODUCT DOES NOT REQUIRE
LOW LEAD COMPLIANCE**

STANDARD FEATURES

- 1/4 turn high performance ceramic cartridge valve with built-in back flow preventers
- Heavy-Duty flanges with eccentric fittings for quick installations
- Built-in vacuum breaker
- 6 1/2" heavy cast spout with pail hook and 3/4" hose thread
- Wall bracket for spout support included
- Rough chrome finish
- 1 Year Warranty

SPECIFICATIONS

- 8" on center wall mount with 1/2" NPT female inlets
- Rough in: Two 7/8" round holes on 8" centers
- Temperature Range: 40°F to 180°F
- Flow rate: 2 GPM max
- Shipping weight: 13 lbs.
- Quantity per case: 6



APPROVED BY:

CERTIFICATIONS:

Due to our commitment to continued product improvement, specifications are subject to change without notice.

Printed in the USA

Krowne Metal Corporation

100 Haul Rd. Wayne, NJ 07470 • Toll Free: (800) 631-0442 • Fax: (973) 872-1129
sales@krowne.com • www.krowne.com • www.facebook.com/KrowneMetal • www.twitter.com/KrowneMetal

KaTom Restaurant Supply, Inc.

Rev. 09/2011
No. 16-127



ROYAL SERIES PLUMBING SERVICE FAUCET with LONG SPOUT

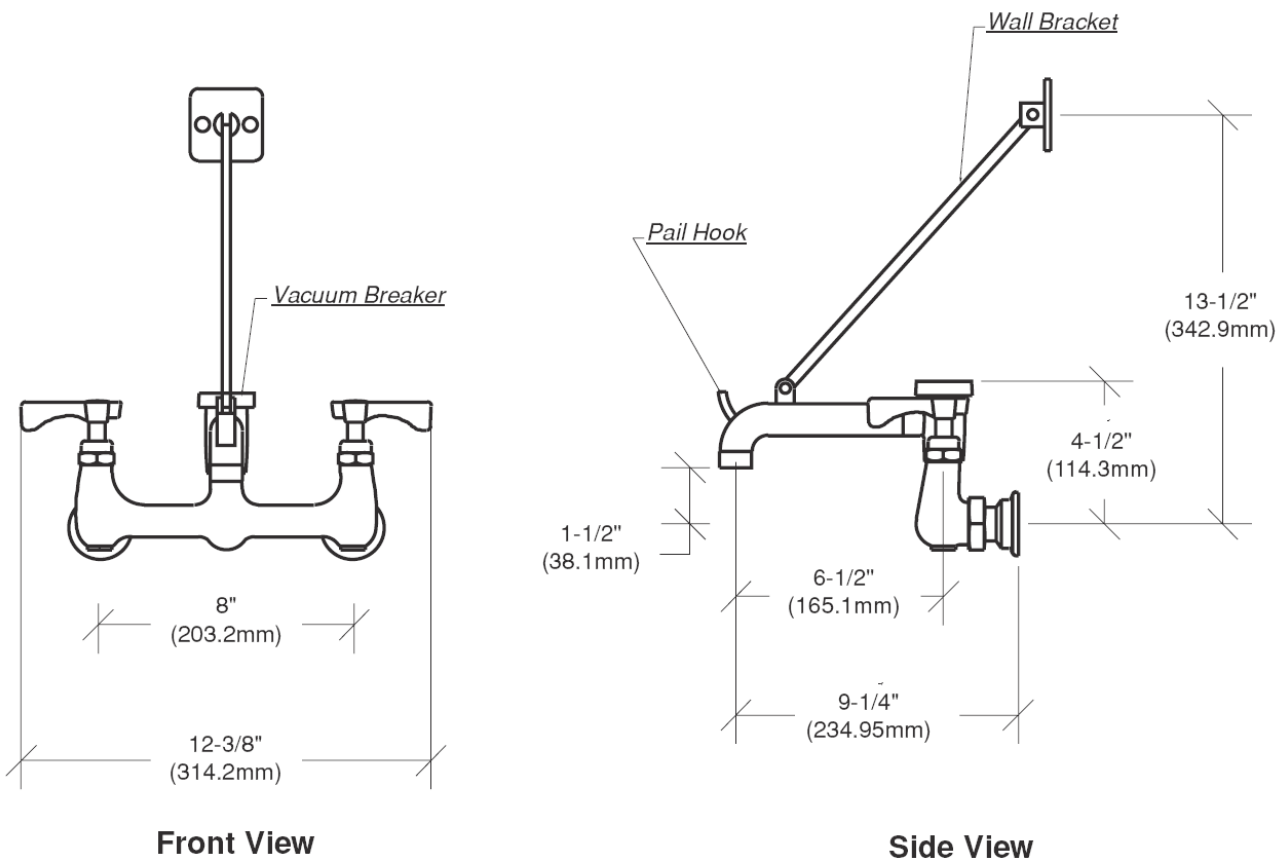
MODEL: **16-127**

PROJECT: _____

ITEM #: _____

QTY: _____

DRAWING



CERTIFICATIONS:

Printed in the USA

APPROVED BY:

Due to our commitment to continued product improvement, specifications are subject to change without notice.

Krowne Metal Corporation

100 Haul Rd. Wayne, NJ 07470 • Toll Free: (800) 631-0442 • Fax: (973) 872-1129
sales@krowne.com • www.krowne.com • www.facebook.com/KrowneMetal • www.twitter.com/KrowneMetal

KaTom Restaurant Supply, Inc.

Rev. 09/2011
No. 16-127