



Model: **16-190** Item #: \_\_\_\_\_ Date: \_\_\_\_\_  
 Project: \_\_\_\_\_ Qty: \_\_\_\_\_ Approved By: \_\_\_\_\_

**Electronic Sensor Faucet** Single Hole Wall Mount 4-1/2" Wide Gooseneck Spout

**Royal Series Plumbing**



16-190

**DESCRIPTION**

- Battery Powered Electronic Sensor Faucet, Control Module, Mechanical Mixing Valve, Supply Hoses & Mounting Hardware. Polished Chrome Finish, 4-1/2" Wide Gooseneck, 2.2 GPM Aerator Installed

**STANDARD FEATURES**

- Single Hole Wall Mount
- Infrared Sensor Operated
- Battery Powered Control Module, (4) AA Batteries Included, AC Adapter Optional
- Built-In Filter to Prevent Debris from Entering Solenoid Valve
- Low Battery Indicator Light
- Battery Life 1-3 Years Based on Usage
- Warranty: 3 Years

**PRODUCT COMPLIANCE**

- ASME A112.18.1-18/CSA B125.1-2018
- NSF-61
- NSF/ANSI 372
- Meets ANSI A117.1 (ADA)
- California Proposition 65
- CEC Listed
- Massachusetts Approved



**WARNING:** Plumbing connections should be made by qualified personnel who will observe all applicable plumbing, sanitary and safety codes.

**SPECIFICATIONS**

Water Inlet	3/8 Compression
Temp. Range	40°F - 180°F
Water Pressure	20 -120 PSI
Sensor Type	Infrared
Flow Rate	2.2 GPM
Material	Chrome Plated Brass
Default Time Out	30 seconds
Default GPC	1.1
Default Shut-Off Delay	1 Second
Default Auto Flush	Off
Sensor Range	3/4" - 8-1/4"
Battery Life	500,000 cycles
Weight	7 lbs.

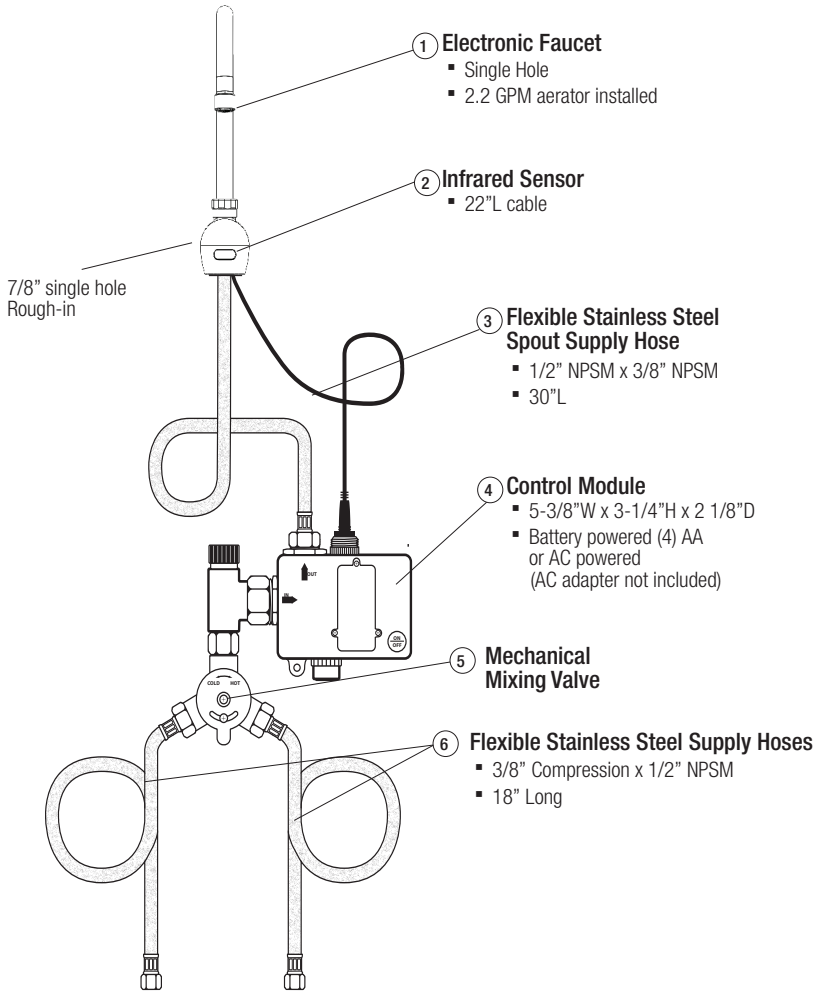


Model: \_\_\_\_\_ Item #: \_\_\_\_\_ Date: \_\_\_\_\_

Project: \_\_\_\_\_ Qty: \_\_\_\_\_ Approved By: \_\_\_\_\_

**Electronic Sensor Faucet** Single Hole Wall Mount 4-1/2" Wide Gooseneck Spout

**Royal Series Plumbing**



No.	Replacement Parts	Model
1	Infrared Sensor (Convex)	16-506
2	Flexible Stainless Steel Spout Supply Hose	16-512
3	Control Module	16-198
4	Mechanical Mixing Valve	16-402L
5	Flexible Stainless Steel Supply Hoses	16-510

**Default Water Flow Control Selections:**

- Shut Off Delay: 1s
- Auto Flush: OFF
- Auto Time Out: 30s

