



STANDARD SERIES UNDERBAR

FRONT AND REAR CORNER FILLERS

MODEL: _____ PROJECT: _____ ITEM #: _____ QTY: _____

PRODUCT IMAGES



18-F45 SHOWN

18-R45 SHOWN

AVAILABLE IN 1800 or 2100 SERIES

STANDARD FEATURES

- **Front Apron**
20 gauge stainless steel
- **Backsplash**
20 gauge stainless steel
- **Sides**
20 gauge stainless steel
- **Back and Bottom**
20 gauge galvanized steel
- **Plumbing**
No drain connection

OPTIONAL ACCESSORIES

- **C-39** Right End Side Splash
- **C-40** Left End Side Splash



APPROVED BY:

CERTIFICATIONS:

Due to our commitment to continued product improvement, specifications are subject to change without notice.

Printed in the USA

Krowne Metal Corporation

100 Haul Rd. Wayne, NJ 07470 • Toll Free: (800) 631-0442 • Fax: (973) 872-1129
sales@krowne.com • www.krowne.com • www.facebook.com/KrowneMetal • www.twitter.com/KrowneMetal

KaTom Restaurant Supply, Inc.

Rev. 09/2011
No. 4.10

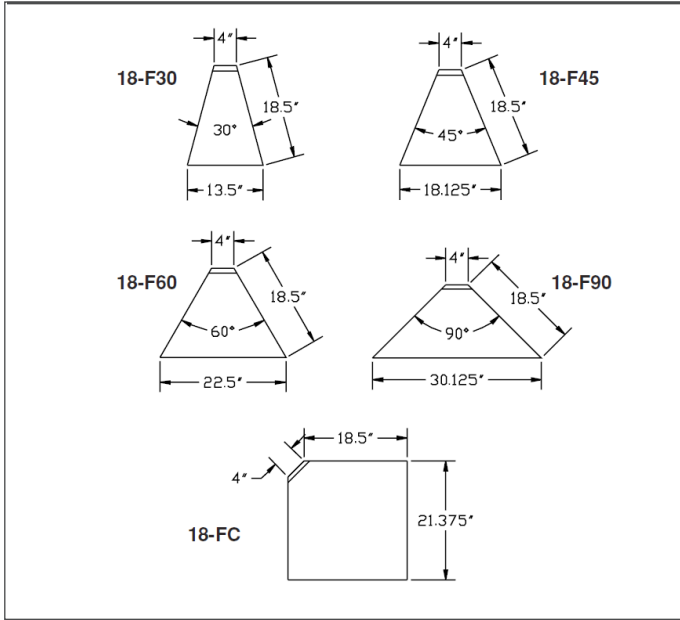


STANDARD SERIES UNDERBAR

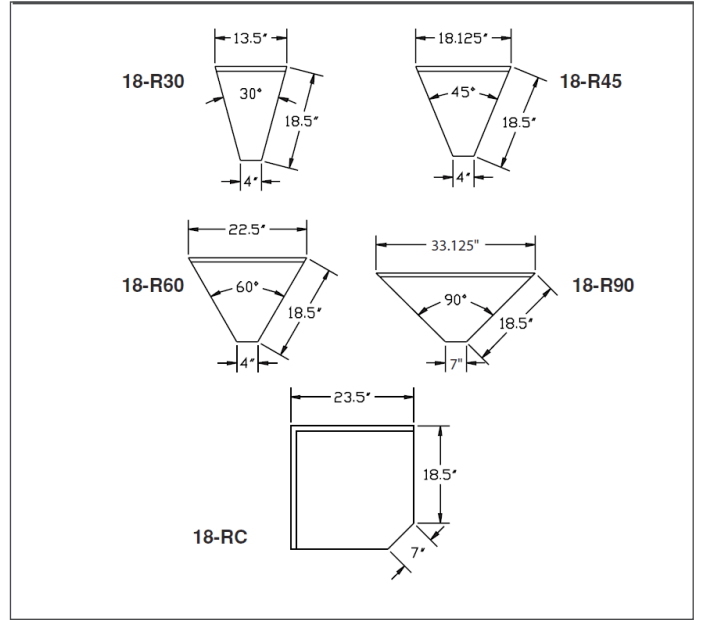
FRONT AND REAR CORNER FILLERS

MODEL: _____ PROJECT: _____ ITEM #: _____ QTY: _____

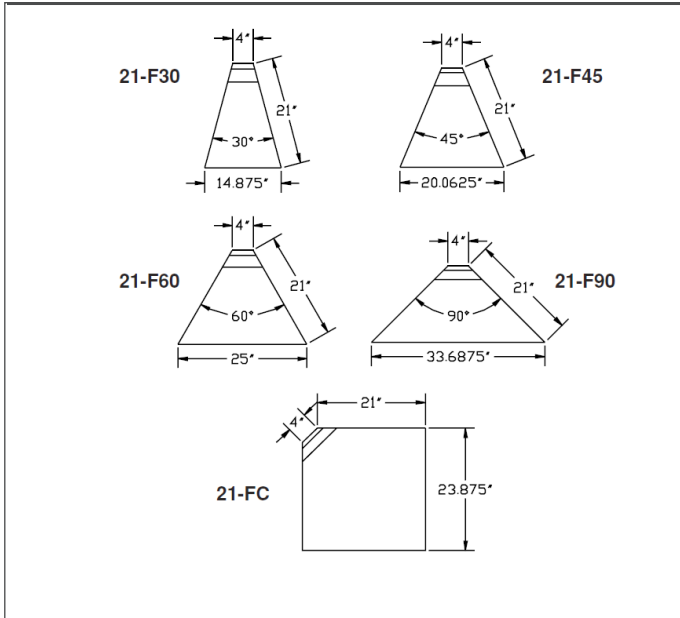
1800 SERIES: FRONT CORNERS



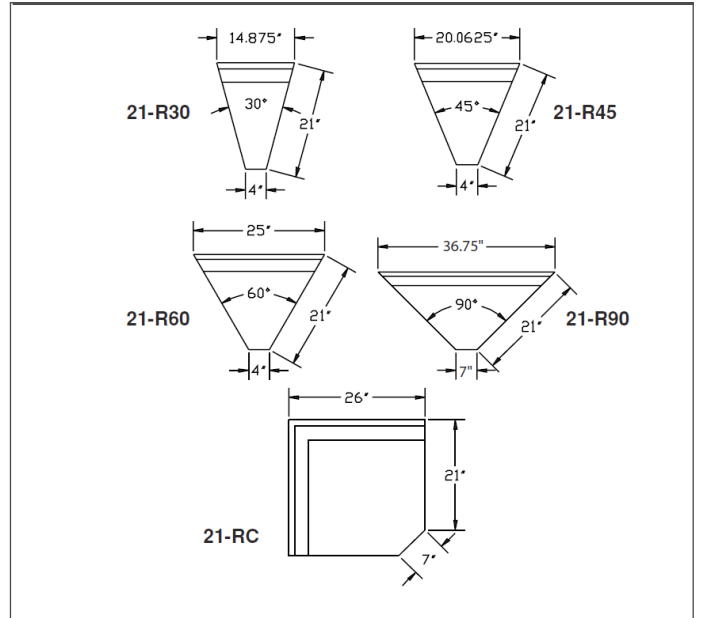
1800 SERIES: REAR CORNERS



2100 SERIES: FRONT CORNERS



2100 SERIES: REAR CORNERS



APPROVED BY: _____

CERTIFICATIONS: _____

Due to our commitment to continued product improvement, specifications are subject to change without notice.

Printed in the USA

Krowne Metal Corporation

100 Haul Rd. Wayne, NJ 07470 • Toll Free: (800) 631-0442 • Fax: (973) 872-1129

sales@krowne.com • www.krowne.com • www.facebook.com/KrowneMetal • www.twitter.com/KrowneMetal

KaTom Restaurant Supply, Inc.

Rev. 09/2011

No. 4.10