



STANDARD SERIES UNDERBAR

LIQUOR DISPLAYS / GLASS WASHING CABINETS

MODEL: _____ PROJECT: _____ ITEM #: _____ QTY: _____

PRODUCT IMAGES



18-24RD SHOWN

18-GW2 SHOWN

AVAILABLE IN 1800 or 2100 SERIES

STANDARD FEATURES

- **Backsplash (Both Units)**
22 gauge stainless steel
- **Sides (Both Units)**
18 gauge stainless steel
- **Legs (Both Units)**
1 5/8" tubular 16 gauge galvanized steel with grey plastic bullet foot
- **Bottle Steps (Liquor Display)**
20 gauge embossed stainless steel
- **Guard Rails (Liquor Display)**
20 gauge stainless steel with sound-deadened plastic
- **Back (Liquor Display)**
20 gauge galvanized steel
- **Sink Bowl (Glass Washing Cabinet)**
20 gauge stainless steel 10" x 14" x 6" deep bowl with drain
- **Drainboard, Back, and Bottom (Glass Washing Cabinet)**
20 gauge stainless steel
- **Front Apron (Glass Washing Cabinet)**
24 gauge stainless steel
- **Plumbing (Glass Washing Cabinet)**
1 1/2" IPS drain connection
- **Faucet (Glass Washing Cabinet)**
1800 Series: 4" center wall mount faucet
2100 Series: 4" center deck mount faucet
- **Low Lead Compliance (Glass Washing Cabinet)**
Low Lead Compliant faucet options are available to meet California AB-1953 and Vermont S152 standards

OPTIONAL ACCESSORIES

- **C-33** Perforated Dump Basket
- **C-36** Upgrade: Stainless Steel Legs
- **C-39** Right End Side Splash
- **C-40** Left End Side Splash
- **H-109** Upgrade: Royal Series Low Lead Faucet
- **H-200** Upgrade: Commercial Series Low Lead Faucet
- **"-LC"** Stainless Steel Locking Cover for Liquor Display
(Add to end of model number of Liquor Display)



APPROVED BY:

CERTIFICATIONS:

Due to our commitment to continued product improvement, specifications are subject to change without notice.

Printed in the USA

Krowne Metal Corporation

100 Haul Rd. Wayne, NJ 07470 • Toll Free: (800) 631-0442 • Fax: (973) 872-1129
 sales@krowne.com • www.krowne.com • www.facebook.com/KrowneMetal • www.twitter.com/KrowneMetal

Rev. 09/2011
No. 4.7

KaTom Restaurant Supply, Inc.



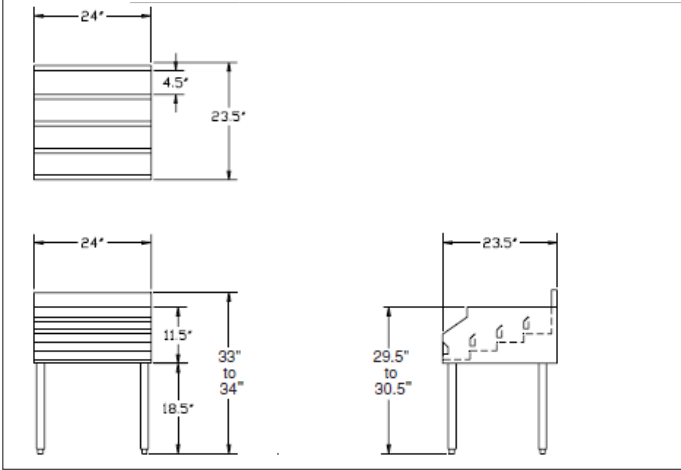
STANDARD SERIES UNDERBAR

LIQUOR DISPLAYS / GLASS WASHING CABINETS

MODEL: _____ PROJECT: _____ ITEM #: _____ QTY: _____

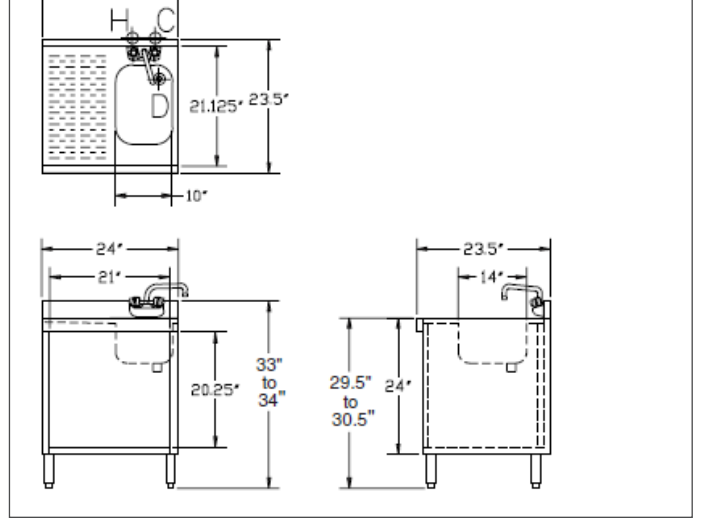
1800 SERIES: LIQUOR DISPLAYS

Model Numbers	Length	Steps	Number of Bottles (approx.)	Weight (lbs.)
18-12RD	1'-0"	4	12	35
18-18RD	1'-6"	4	20	35
18-24RD	2'-0"	4	28	35



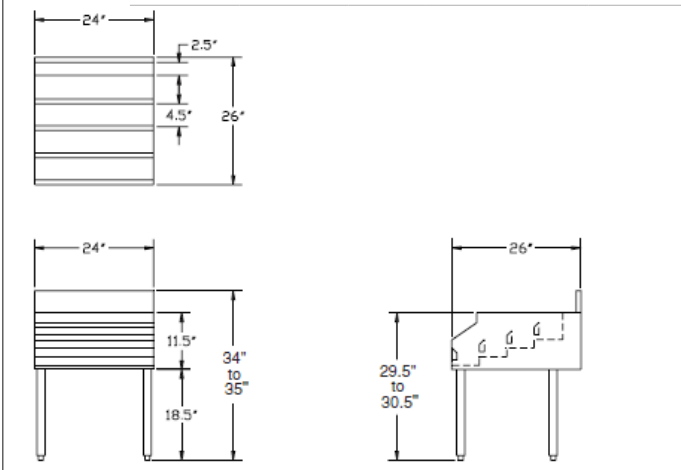
1800 SERIES: GLASS WASHING CABINETS

Model Numbers	Length	Top	Weight (lbs.)
18-GW2	2'-0"	Drainboard	35



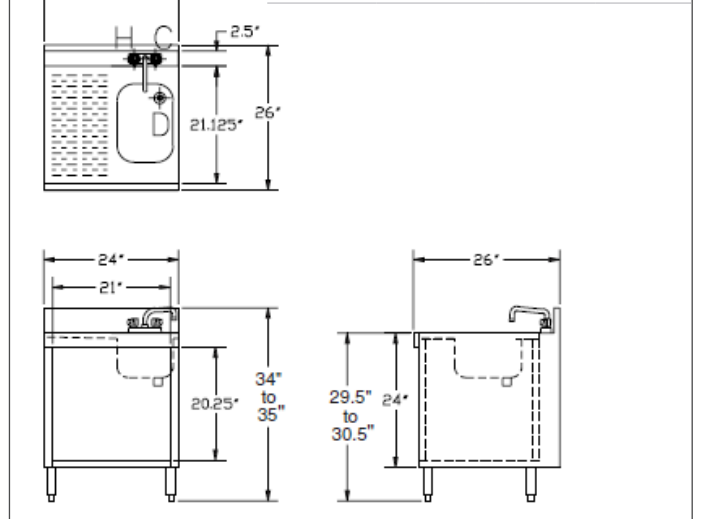
2100 SERIES: LIQUOR DISPLAYS

Model Numbers	Length	Steps	Number of Bottles (approx.)	Weight (lbs.)
21-12RD	1'-0"	4	12	35
21-18RD	1'-6"	4	20	35
21-24RD	2'-0"	4	28	35



2100 SERIES: GLASS WASHING CABINETS

Model Numbers	Length	Top	Weight (lbs.)
21-GW2	2'-0"	Drainboard	35



CERTIFICATIONS:

APPROVED BY:

Due to our commitment to continued product improvement, specifications are subject to change without notice.

Printed in the USA

Krowne Metal Corporation

100 Haul Rd. Wayne, NJ 07470 • Toll Free: (800) 631-0442 • Fax: (973) 872-1129

sales@krowne.com • www.krowne.com • www.facebook.com/KrowneMetal • www.twitter.com/KrowneMetal

KaTom Restaurant Supply, Inc.

Rev. 09/2011

No. 4.7