

SEC-FT Floor Troughs Security/Correctional Design

SPECIFICATION:

SEC-FT Model Security/Correctional Floor Troughs are 14-gauge type 304 stainless steel, with large integral coves and pitched to a 6 1/2" OD waste outlet with 4" OD tailpiece. Perforated waste basket is secured with a tamperproof screw. Anchor straps secure trough to the floor.

Correctional frame secures grating to ledge. Grating slides into frame and is held secure by a special locking device with tamperproof screws. Troughs are 4" deep.

Joints are TIG welded and leak-proof. Exposed surfaces finished brush satin.

PRODUCT GUIDE:

Use for Correctional, Penal and Justice Buildings.

Continuous security frame for grating is virtually "attack-proof".

Integral coves, deep pitch and a large waste cup similiar to FT.

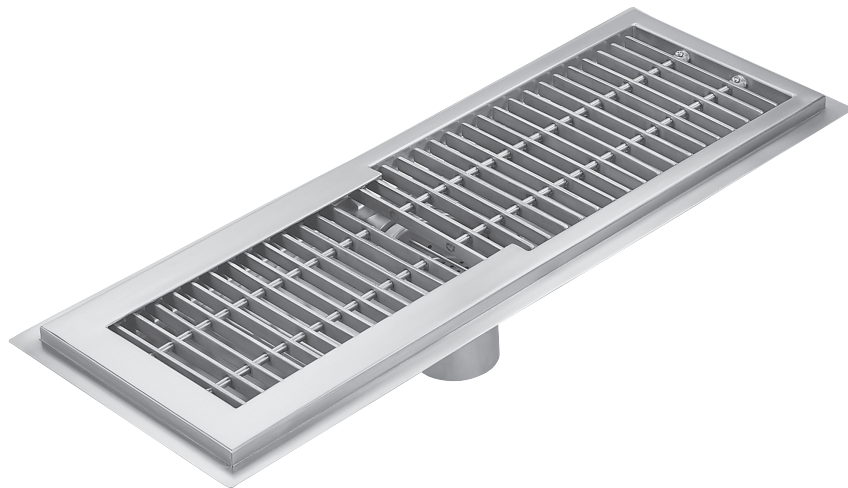
Recessed flange supports floor tile and provides a grout pocket.

Use extension arms and intersections for multiple equipment.

Combine with other IMC designs, such as, Shallow, Anti-Spill or Floor Pans for maximum versatility.

OPTIONS:

- 12-gauge stainless steel
- Use with any style IMC trough grating
- Custom designs, sizes and waste location
- Optional wastes and locations
- Seepage flange and "weep" holes
- See Price Book for other options



*Price page 42

Specifications subject to change without notice.



P.O. Box 206
Copiague, NY 11726-0206

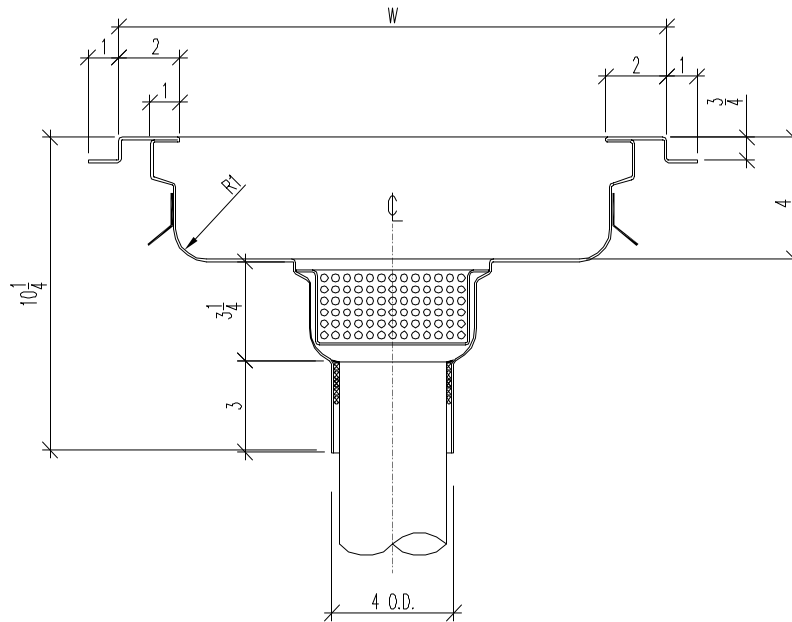
800-221-5644/631-789-8881
Fax: 631-789-3633

www.imcteddy.com

SEC-FT-30 1007
SEC-CFT-30 1007
SEC-ASFT-30 1007
SEC-SFT-30 1007

KaTom Restaurant Supply, Inc.

SEC-FT Floor Troughs Security/Correctional Design



FLOOR TROUGH, SECURITY/CORRECTIONAL DESIGN - 4" Deep

MODEL	SIZE (W x L)	METRIC	WEIGHT	MODEL	SIZE (W x L)	METRIC	WEIGHT
SEC-FT-1224	12" x 24"	305 x 610	20	SEC-FT-2424	24" x 24"	610 x 610	32
SEC-FT-1236	12" x 36"	305 x 914	30	SEC-FT-2436	24" x 36"	610 x 914	42
SEC-FT-1248	12" x 48"	305 x 1219	40	SEC-FT-2448	24" x 48"	610 x 1219	56
SEC-FT-1260	12" x 60"	305 x 1524	50	SEC-FT-2460	24" x 60"	610 x 1524	70
SEC-FT-1272	12" x 72"	305 x 1829	60	SEC-FT-2472	24" x 72"	610 x 1829	84
SEC-FT-1284	12" x 84"	305 x 2134	70	SEC-FT-2484	24" x 84"	610 x 2134	98
SEC-FT-1296	12" x 96"	305 x 2438	80	SEC-FT-2496	24" x 96"	610 x 2438	112
SEC-FT-12108	12" x 108"	305 x 2743	90	SEC-FT-24108	24" x 108"	610 x 2743	126
SEC-FT-12120	12" x 120"	305 x 3048	100	SEC-FT--24120	24" x 120"	610 x 3048	140
SEC-FT-1824	18" x 24"	458 x 610	24	SEC-FT-3024	30" x 24"	762 x 610	32
SEC-FT-1836	18" x 36"	458 x 914	36	SEC-FT-3036	30" x 36"	762 x 914	48
SEC-FT-1848	18" x 48"	458 x 1219	48	SEC-FT-3048	30" x 48"	762 x 1219	64
SEC-FT-1860	18" x 60"	458 x 1524	360	SEC-FT-3060	30" x 60"	762 x 1524	80
SEC-FT-1872	18" x 72"	458 x 1829	72	SEC-FT-3072	30" x 72"	762 x 1829	96
SEC-FT-1884	18" x 84"	458 x 2134	84	SEC-FT-3084	30" x 84"	762 x 2134	112
SEC-FT-1896	18" x 96"	458 x 2438	96	SEC-FT-3096	30" x 96"	762 x 2438	128
SEC-FT-18108	18" x 108"	458 x 2743	108	SEC-FT-30108	30" x 108"	762 x 2743	144
SEC-FT-18120	18" x 120"	458 x 3048	120	SEC-FT--30120	30" x 120"	762 x 3048	160

Note - Standard troughs up to 96" have one (1) waste at center. Over 96", troughs have two (2) wastes equidistant.

*See Price book pages 41-48, 54-55 & 57-59 for additional sizes and options.

Specifications subject to change without notice.



P.O. Box 206
Copiague, NY 11726-0206

800-221-5644/631-789-8881
Fax: 631-789-3633

www.imcteddy.com

SEC-FT-30 1007
SEC-CFT-30 1007
SEC-ASFT-30 1007
SEC-SFT-30 1007

KaTom Restaurant Supply, Inc.