



# ROYAL SERIES PLUMBING

## ENCLOSED STAINLESS STEEL HOSE REEL with 8" CENTER FAUCET

MODEL: **24-502** PROJECT: \_\_\_\_\_ ITEM #: \_\_\_\_\_ QTY: \_\_\_\_\_

### PRODUCT IMAGE



### STANDARD FEATURES

- Enclosed stainless steel hose reel
- Designed to run water feed through outside wall
- 8" center wall mount faucet

24-502 SHOWN

**THIS PRODUCT DOES NOT REQUIRE  
LOW LEAD COMPLIANCE**

### SPECIFICATIONS

- Full 35' hose length
- Heavy-duty hose tested to 210°F (99°C) and 250 PSI (18 BAR)
- Mounts on 3/8"-18 NPT inlets
- 57 1/2" overall height
- Shipping weight: 50 lbs.



### APPROVED BY:

### CERTIFICATIONS:

Due to our commitment to continued product improvement, specifications are subject to change without notice.

Printed in the USA

**Krowne Metal Corporation**

100 Haul Rd. Wayne, NJ 07470 • Toll Free: (800) 631-0442 • Fax: (973) 872-1129  
sales@krowne.com • www.krowne.com • www.facebook.com/KrowneMetal • www.twitter.com/KrowneMetal

Rev. 02/2012  
No. 24-502

KaTom Restaurant Supply, Inc.



# ROYAL SERIES PLUMBING

ENCLOSED STAINLESS STEEL  
HOSE REEL with 4" CENTER FAUCET

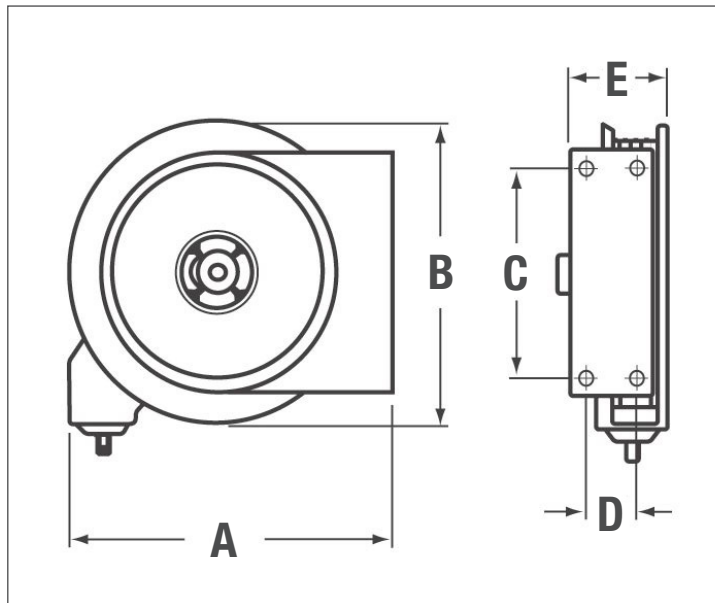
MODEL: **24-502**

PROJECT: \_\_\_\_\_

ITEM #: \_\_\_\_\_

QTY: \_\_\_\_\_

## DRAWING



|          |         |
|----------|---------|
| <b>A</b> | 14 1/2" |
| <b>B</b> | 15"     |
| <b>C</b> | 9 3/4"  |
| <b>D</b> | 2 1/2"  |
| <b>E</b> | 7"      |



**APPROVED BY:** \_\_\_\_\_

**CERTIFICATIONS:**

Due to our commitment to continued product improvement, specifications are subject to change without notice.

Printed in the USA

**Krowne Metal Corporation**

100 Haul Rd. Wayne, NJ 07470 • Toll Free: (800) 631-0442 • Fax: (973) 872-1129  
 sales@krowne.com • www.krowne.com • www.facebook.com/KrowneMetal • www.twitter.com/KrowneMetal

Rev. 02/2012  
 No. 24-502

KaTom Restaurant Supply, Inc.