

## UNIVERSAL 4" x 4" PLATE CASTERS

MODEL: \_\_\_\_\_ PROJECT: \_\_\_\_\_ ITEM #: \_\_\_\_\_ QTY: \_\_\_\_\_

### PRODUCT IMAGE

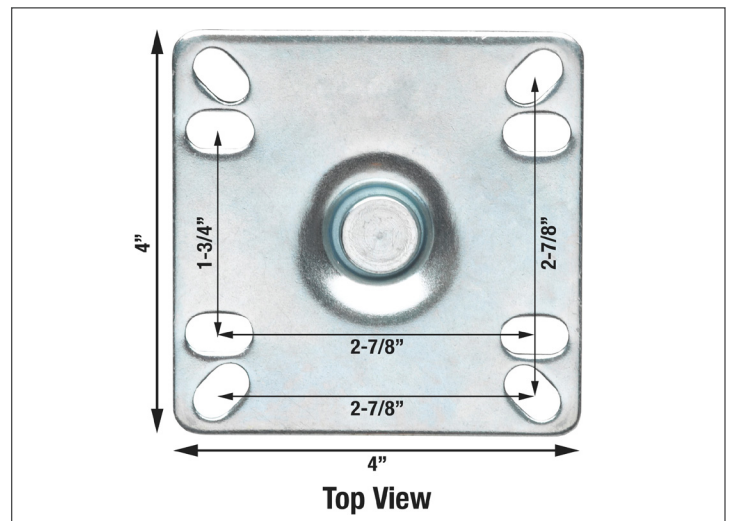


28-107S SHOWN

### STANDARD FEATURES

- Universal 4" x 4" plate
- Fits most manufacturers
- Grease resistant wheels with brakes
- Set of 4 per box
- 28-120S is Heavy-Duty
- Quantity per case: 6 (28-120S = 4/case)

### HOLE CENTERS



### SPECIFICATIONS

Model Number	Hole Centers	Weight/Set of 4 (lbs.)	Load Capacity per Caster (lbs.)	Temp Range	Wheel Size
28-101S	2 7/8" Outer 1 3/4" Inner	9	220	14°F to 212°F	3" with Brake
28-107S	2 7/8" Outer 1 3/4" Inner	10	220	14°F to 212°F	5" with Brake
28-120S	2 7/8" Outer 1 3/4" Inner	16	500	14°F to 212°F	5" with Brake

### APPROVED BY:

### CERTIFICATIONS:

Due to our commitment to continued product improvement, specifications are subject to change without notice.