



Model: _____ Item #: _____ Date: _____

Project: _____ Qty: _____ Approved By: _____

Remote Back Bar Coolers

REFRIGERATION



BR48L-BSB-LR shown with optional 1" Top & Kick Plates

Available in 48", 72", and 96"

Standard Features

Electrical	115 V, 1 Phase, 60 Hz. Furnished with a terminal block inside the box for a hard wire connection (supplied by the end user).			
	Dedicated 15 Amp circuit recommended.			
	2 Door Model: 1.0 Full Load Amps			
	3 Door Model: 1.5 Full Load Amps			
Refrigeration	134A expansion valve installed (standard). Optional 404 expansion available. Thermostat not included. IMPORTANT: Specify left or right side hookup. Operating Range: 30°F - 40°F			
	Case Capacity		48"	72"
Interior	Long Neck Bottles:	13	21	30
	12 oz. Cans	20	34	40
	Wine Bottles (each)	136	216	288
Exterior	20 gauge stainless steel.			
	Two adjustable epoxy coated shelves with floor rack.			
	Door opening: 29-11/16" high x 19-15/16" wide.			
	Sides: 20 gauge stainless steel or black vinyl			
Insulation	Front: 20 gauge stainless steel, black vinyl or glass			
	Back: 20 gauge galvanized steel			
	Top: 20 gauge galvanized steel with option of stainless steel.			
Plumbing	Foamed-in-place polyurethane			
	1/2" drain connection required for condensation. Drain line connection will be on the same side as the refrigeration line location selected. A 100 V Condensate Evaporator pan may be used in place of a drain line but it is important to make sure you have a good location for it. Please consult with your refrigeration installation company and check local codes.			

Optional Accessories

BS-100	Four 6" Stainless Steel Legs
BS-101	Six 6" Stainless Steel Legs (72" & 96" Models)
BS-102	Four 4" Stainless Steel Legs
BS-103	Six 4" Stainless Steel Legs (72" & 96" Models)
BS-106	Left Side Stainless Steel Kick Plate
BS-107	Right Side Stainless Steel Kick Plate
BC-130	Four 1" Ultra Low Profile Casters w/ Brakes
BC-131	Six 1" Ultra Low Profile Casters w/ Brakes (72" & 96" Models)
BC-132	Four 2" Low Profile Casters w/ Brakes
BC-133	Six 2" Low Profile Casters w/ Brakes (72" & 96" Models)
BC-134	Four 3" Casters w/ Brakes
BC-135	Six 3" Casters w/ Brakes (72" & 96" Models)
BS-148	48" Stainless Steel Front Kick Plate
BS-172	72" Stainless Steel Front Kick Plate
BS-196	96" Stainless Steel Front Kick Plate
BS-600	110V Solenoid Valve + Thermostat, installed
BC-500	1/3 HP Condensing Unit (134A Refrigerant)

This equipment is intended for the storage and display of non-potentially hazardous bottle or canned products only.



CONFORMS TO UL Std 471 & NSF STD 7



Model: _____ Item #: _____ Date: _____

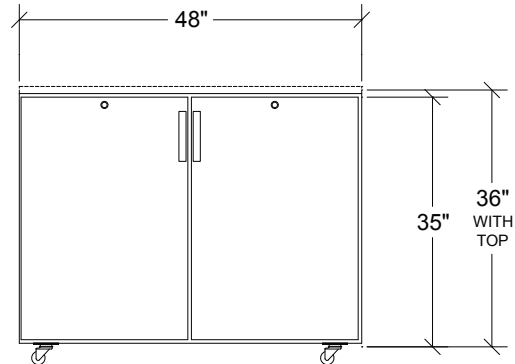
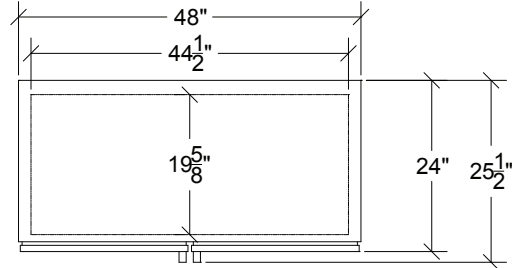
Project: _____ Qty: _____ Approved By: _____

Remote Back Bar Coolers

REFRIGERATION

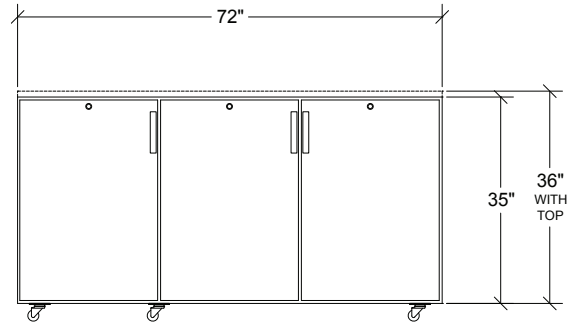
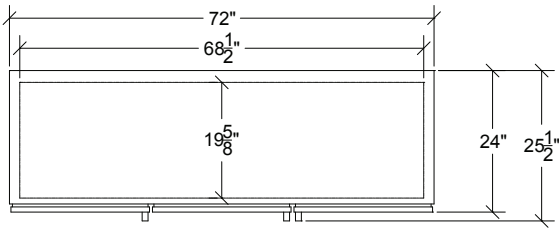
Two Door (48")

280 lbs.



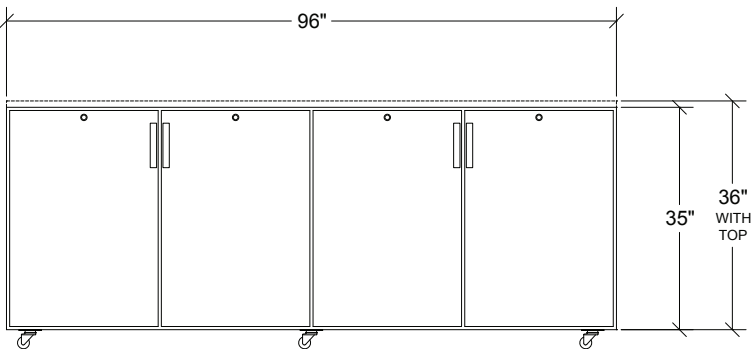
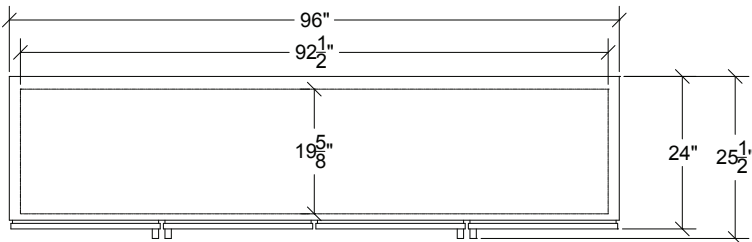
Three Door (72")

395 lbs.



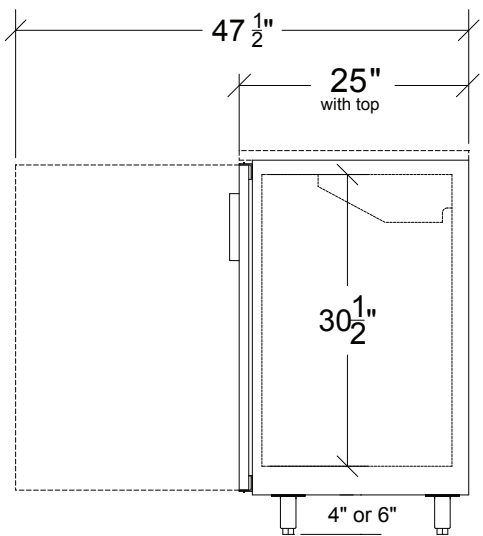
Four Door (96")

510 lbs.



Side View

All Models



NOTE: Optional casters raise height 1" higher than wheel size. Optional 4" or 6" legs available.

