



STANDARD SERIES PLUMBING 4" CENTER WALL MOUNT FAUCETS

MODEL: _____ PROJECT: _____ ITEM #: _____ QTY: _____

PRODUCT IMAGE



10-400 SHOWN

**ALSO AVAILABLE IN LOW LEAD BY
ADDING "L" TO MODEL NUMBER**

STANDARD FEATURES

- Heavy-Duty spout with double O-Ring construction and welded shoulder for durability
- High precision machining and polished nickel chromium finish
- Color-coded handles
- Optional wrist blade handles available
- Full replacement parts available
- Mounting kit included
- **Low Lead Compliance**
"L" Models meet California AB-1953 and Vermont S152 standards

SPECIFICATIONS

- 4" on center wall mount with 1/2" NPT male inlets
- Rough in: Two 7/8" round holes on 4" centers
- Flow rate: 2 GPM max
- Shipping weight: 3 lbs.
- Quantity per case: 20



CERTIFICATIONS:

APPROVED BY:

Due to our commitment to continued product improvement, specifications are subject to change without notice.

Printed in the USA

Krowne Metal Corporation

100 Haul Rd. Wayne, NJ 07470 • Toll Free: (800) 631-0442 • Fax: (973) 872-1129
sales@krowne.com • www.krowne.com • www.facebook.com/KrowneMetal • www.twitter.com/KrowneMetal

KaTom Restaurant Supply, Inc.

Rev. 05/2012
No. 10-4XX



STANDARD SERIES PLUMBING 4" CENTER WALL MOUNT FAUCETS

MODEL: _____ PROJECT: _____ ITEM #: _____ QTY: _____

MODELS

STANDARD SPOUTS

Model Numbers	Ⓐ	Ⓑ	Ⓒ
10-406	6"	1 7/8"	4 3/8"
10-410	10"	2 1/8"	4 5/8"

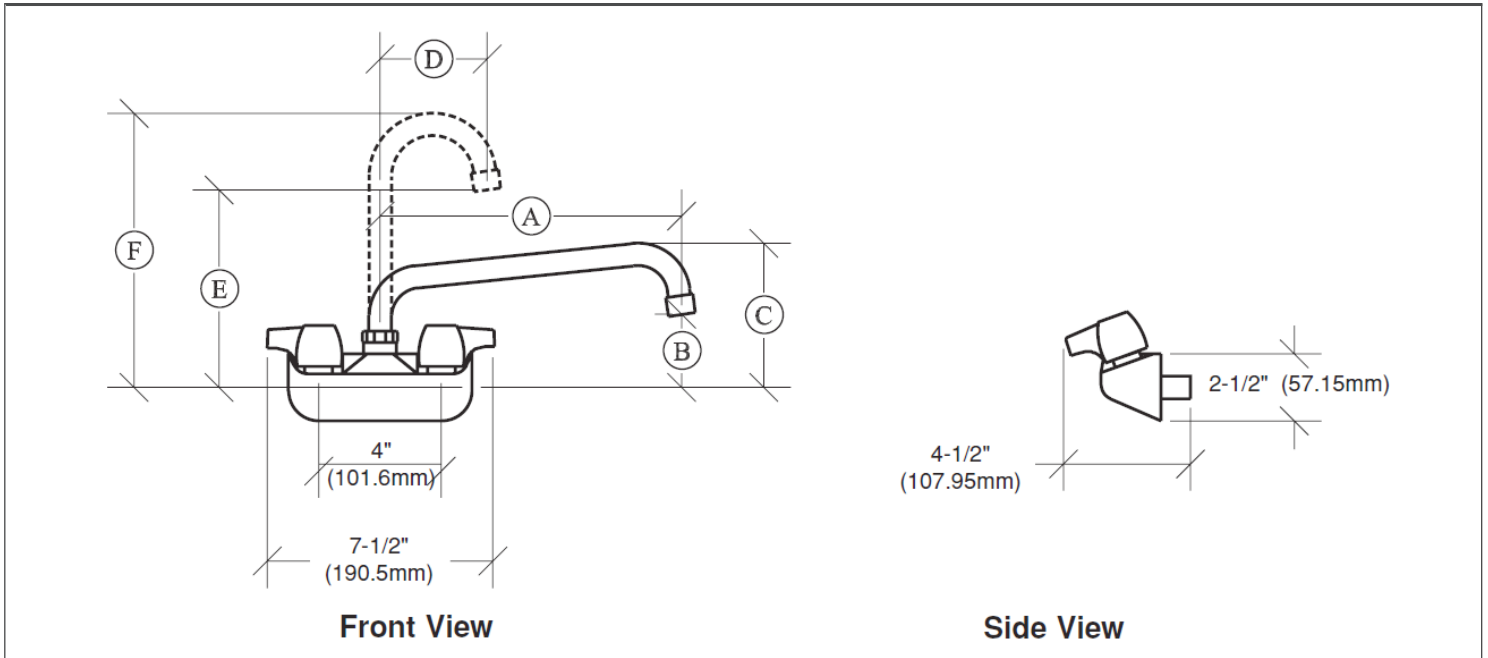
NOTE: Add "L" to end of Model Number for Low Lead Model

GOOSENECK SPOUTS

Model Numbers	Ⓓ	Ⓔ	Ⓕ
10-400	3 1/2"	5 3/8"	8"

NOTE: Add "L" to end of Model Number for Low Lead Model

DRAWING



APPROVED BY:

Due to our commitment to continued product improvement, specifications are subject to change without notice.

CERTIFICATIONS:

Printed in the USA

Krowne Metal Corporation

100 Haul Rd. Wayne, NJ 07470 • Toll Free: (800) 631-0442 • Fax: (973) 872-1129
sales@krowne.com • www.krowne.com • www.facebook.com/KrowneMetal • www.twitter.com/KrowneMetal

KaTom Restaurant Supply, Inc.

Rev. 05/2012
No. 10-4XX