

# GLASS WASHING

## ROTARY STYLE GLASS WASHER

MODEL: \_\_\_\_\_ PROJECT: \_\_\_\_\_ ITEM #: \_\_\_\_\_ QTY: \_\_\_\_\_

### PRODUCT IMAGE



GWR-24 SHOWN

### STANDARD FEATURES

- Low Temperature
- Stainless Steel construction
- **Free 1 Year Warranty** if Glass Washing Dump Sink is purchased and placed next to Glasswasher in Bar Line-Up -5°F to 10°F temperature range
- 26" Front to Back depth, 39" Height
- 12" glass clearance accepts taller stemware
- Internal upper drain screen for improved filtration and ease of cleaning
- Self flushing wash chamber reduces maintenance
- Reduced water usage
- 208-230 V connection
- Three-pump injection system for precise chemical dispensing
- Upper and lower wash and rinse arms produce sparkling clean glasses every time
- Double walled construction for quieter operation
- Cool final rinse water provides a cool glass ready for immediate use
- Cabinet below holds the 3 chemicals required each in 1 gallon containers
- Polypropylene conveyor virtually eliminates chipping of fine stemware
- 3 minute cycle time
- 1200 glasses per hour (2-1/2" glasses)

### OPTIONAL ACCESSORIES

- **28-111S** 3 1/2" x 3 1/2" Plate Caster with 5" Locking Wheel



#### APPROVED BY:

CERTIFICATIONS:

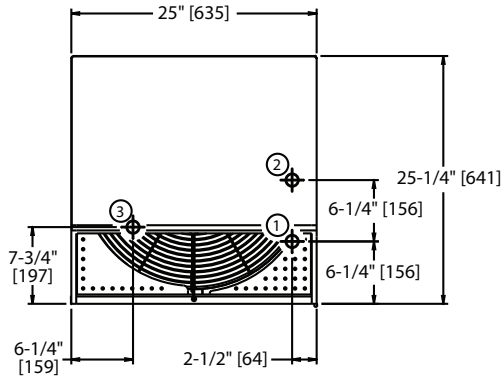
Due to our commitment to continued product improvement, specifications are subject to change without notice.

# GLASS WASHING ROTARY STYLE GLASS WASHER

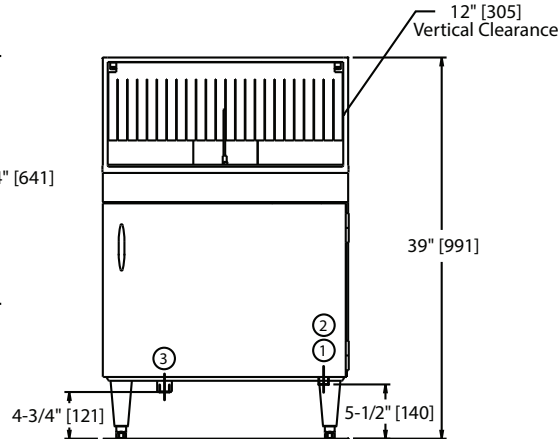
MODEL: \_\_\_\_\_ PROJECT: \_\_\_\_\_ ITEM #: \_\_\_\_\_ QTY: \_\_\_\_\_

## 25" ROTARY STYLE GLASS WASHER

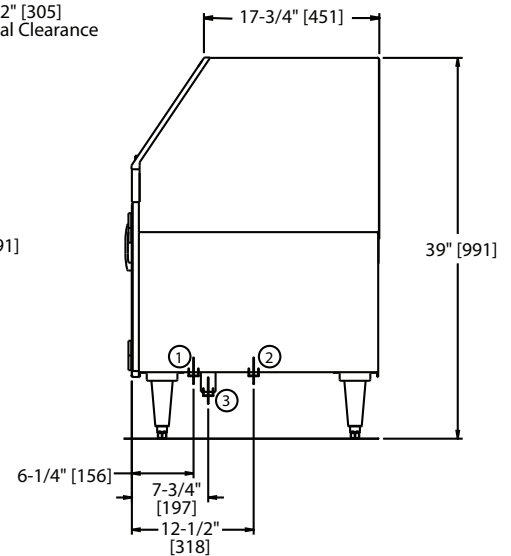
PLAN VIEW



FRONT VIEW



SIDE VIEW



### SPECIFICATIONS

<b>CAPACITY / HR.</b>	
2 1/2" glasses	1200
<b>WATER CONSUMPTION</b>	
Cold water (approx.)	2.5 gpm
Hot water (initial fill)	3 gpm
Max use (approx.)	10 gph
<b>TEMPERATURES °F/C</b>	
Inlet water (hot)	140-160
Inlet water (cold)	75
<b>HEATING</b>	
Tank heat, electric (kW)	3
<b>CONVEYOR MOVEMENT</b>	
Clockwise	

**NOTE:** Unit is supplied with 6 ft. [1829] plug-in cord. (NEMA 6-15P)

**WARNING:** Plumbing and electrical connections should be made by qualified personnel who will observe all applicable plumbing, sanitary and safety codes.

### UTILITIES

- ELECTRICAL**  
208-230/60/1, 15 amp
- ① **HOT WATER CONNECTION**  
1/2" IPS. Flow pressure 25-95 psi.
  - ② **COLD WATER CONNECTION**  
1/2" IPS. Flow pressure 25-95 psi.
  - ③ **DRAIN CONNECTION**  
1 1/2" tailpiece  
*Connect to drain size according to local plumbing code*

### UNIT DIMENSIONS

	UNCRATED	CRATED
<b>HEIGHT</b>	39"	46 1/2"
<b>WIDTH</b>	25"	27"
<b>DEPTH</b>	27"	27 1/2"
<b>SHIP WT. (lbs.)</b>	156	176



**CERTIFICATIONS:**

**APPROVED BY:**

Due to our commitment to continued product improvement, specifications are subject to change without notice.