



STANDARD SERIES UNDERBAR SOAP & TOWEL DISPENSER

MODEL: **H-111** PROJECT: _____ ITEM #: _____ QTY: _____

PRODUCT IMAGE



H-111 SHOWN

STANDARD FEATURES

- Mounts to the wall
- Paper towel dispenses from bottom of unit

SPECIFICATIONS

- Overall Height: 14 ³/₄"
- Overall Width: 16"
- Overall Depth: 9 ¹/₂"
- Towel Dispenser Depth: 4 ³/₄"
- Towel Dispenser Height: 8"
- Shipping Weight: 5 lbs.



APPROVED BY:

CERTIFICATIONS:

Due to our commitment to continued product improvement, specifications are subject to change without notice.

Printed in the USA

Krowne Metal Corporation

100 Haul Rd. Wayne, NJ 07470 • Toll Free: (800) 631-0442 • Fax: (973) 872-1129
sales@krowne.com • www.krowne.com • www.facebook.com/KrowneMetal • www.twitter.com/KrowneMetal

KaTom Restaurant Supply, Inc.

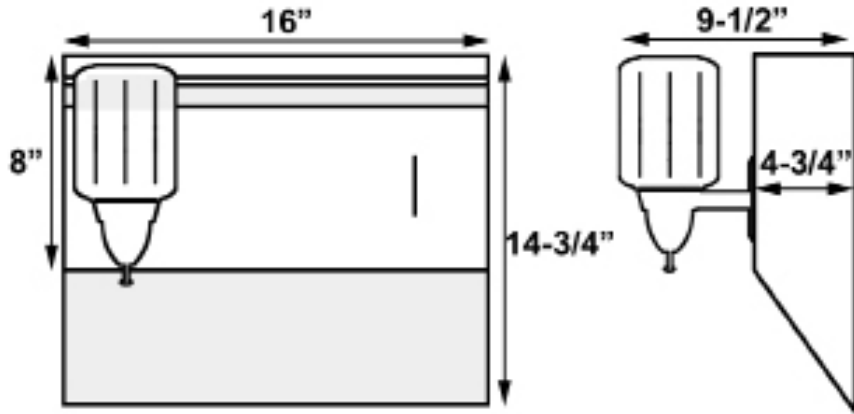
Rev. 09/2011
No. H-111



STANDARD SERIES UNDERBAR SOAP & TOWEL DISPENSER

MODEL: **H-111** PROJECT: _____ ITEM #: _____ QTY: _____

DRAWING



APPROVED BY:

CERTIFICATIONS:

Due to our commitment to continued product improvement, specifications are subject to change without notice.

Printed in the USA

Krowne Metal Corporation

100 Haul Rd. Wayne, NJ 07470 • Toll Free: (800) 631-0442 • Fax: (973) 872-1129
sales@krowne.com • www.krowne.com • www.facebook.com/KrowneMetal • www.twitter.com/KrowneMetal

Rev. 09/2011
No. H-111

KaTom Restaurant Supply, Inc.