



Model: _____ Item #: _____ Date: _____
 Project: _____ Qty: _____ Approved By: _____

Ice Bins

Royal Series Underbar



KR18-24-10 Shown with optional Speedrail
 Available in 1800 or 2100 Series

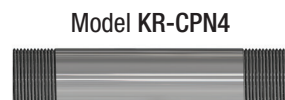
Standard Features

Interior	20 gauge stainless steel. 12" or 15" deep
Front Apron	20 gauge stainless steel clad over 20 gauge galvanized steel
Backsplash	20 gauge stainless steel
Back & Bottom	20 gauge galvanized steel
Legs	1-5/8" tubular 16 gauge stainless steel w/ grey plastic bullet foot
Insulation	Foamed-in-place polyurethane
Plumbing	1" IPS drain connection

Ice Bin with Cold Plate

Cold Plate	High performance built-in 10 circuit post mix cold plate. Plate is sealed into bottom. Each circuit is 5/16" OD stainless steel tubing. Two full with remainder to be half circuits. Bump and swedge fittings on ends.
Tubing Access (Cold Plate)	1800 Series: 3/4" x 3-1/2" cutout in left side of backsplash 2100 Series: 1/2" x 4.3 cutout in left side of backsplash
Plumbing	1/2" IPS drain connection. 4" PVC tailpiece provided. PVC tailpiece required to avoid condensation through metal to metal contact.

Cold Plate units supplied with 1/2" x 4" PVC tailpiece.
 1/2" - 20 male threaded



Optional Accessories

KR-101	Condiment Tray
KR-103	Stainless Steel Divider
KR-108	Perforated Bottom (Ice Bins without Cold Plates)
KR-310	Right End Splash
KR-311	Left End Splash
SC"XX"H	Partial Sliding Cover ("XX" denotes size of Ice Bin.) Example: 36" Ice Bin would need an SC36H
SC"XX"F	Full Sliding Cover ("XX" denotes size of Ice Bin.) Example: 36" Ice Bin would need an SC36F
KR-401	Cap Catcher and Opener
KR-406	Faucet installed over Ice Bin for meltdown
KR-501	Towel Ring
Built-In Cold Plate	(See features to the left)





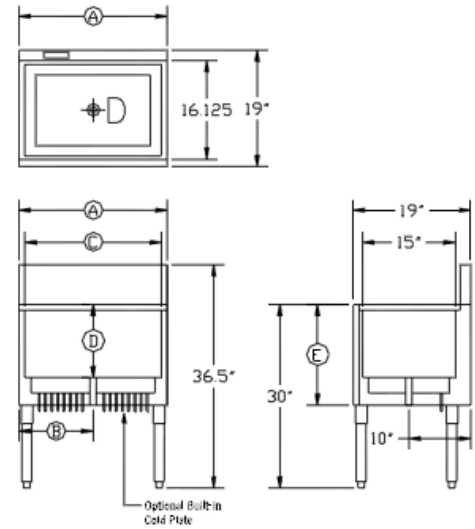
Model: _____ Item #: _____ Date: _____
 Project: _____ Qty: _____ Approved By: _____

Ice Bins

Royal Series Underbar

Model Numbers	Overall Length (A)	Left Side to Drain (B)	Interior Dimensions (C)	Inside Depth (D)	Outside Depth (E)	Ice Capacity (lbs.)	Cold Plate Circuits	Weight (lbs.)
*KR18-6	0'-6"	3"	15" x 4"	10"	11 1/2"	20	N/A	20
KR18-12	1'-0"	9"	15" x 10"	10"	11 1/2"	25	N/A	35
KR18-18	1'-6"	9"	15" x 16"	12"	13 1/2"	50	N/A	55
KR18-24	2'-0"	12"	15" x 22"	12"	13 1/2"	80	N/A	60
KR18-30	2'-6"	15"	15" x 28"	12"	13 1/2"	97	N/A	80
KR18-36	3'-0"	18"	15" x 34"	12"	13 1/2"	115	N/A	95
KR18-42	3'-6"	21"	15" x 40"	12"	13 1/2"	135	N/A	115
KR18-48	4'-0"	24"	15" x 46"	12"	13 1/2"	160	N/A	130
KR18-18-7	1'-6"	9"	15" x 16"	12"	13 1/2"	50	7	75
KR18-24-10	2'-0"	12"	15" x 22"	12"	16 1/2"	80	10	166
KR18-30-10	2'-6"	15"	15" x 28"	12"	16 1/2"	97	10	185
KR18-36-10	3'-0"	18"	15" x 34"	12"	16 1/2"	115	10	199
KR18-42-10	3'-6"	21"	15" x 40"	12"	16 1/2"	135	10	235
KR18-48-10	4'-0"	24"	15" x 46"	12"	16 1/2"	160	10	249
KR18-24DP	2'-0"	12"	15" x 22"	15"	16 1/2"	100	N/A	75
KR18-30DP	2'-6"	15"	15" x 28"	15"	16 1/2"	120	N/A	100
KR18-36DP	3'-0"	18"	15" x 34"	15"	16 1/2"	138	N/A	125
KR18-48DP	4'-0"	24"	15" x 46"	15"	16 1/2"	178	N/A	216
KR18-24DP-10	2'-0"	12"	15" x 22"	15"	19 1/2"	100	10	188
KR18-30DP-10	2'-6"	15"	15" x 28"	15"	19 1/2"	120	10	225
KR18-36DP-10	3'-0"	18"	15" x 34"	15"	19 1/2"	138	10	270
KR18-48DP-10	4'-0"	24"	15" x 46"	15"	19 1/2"	178	10	296

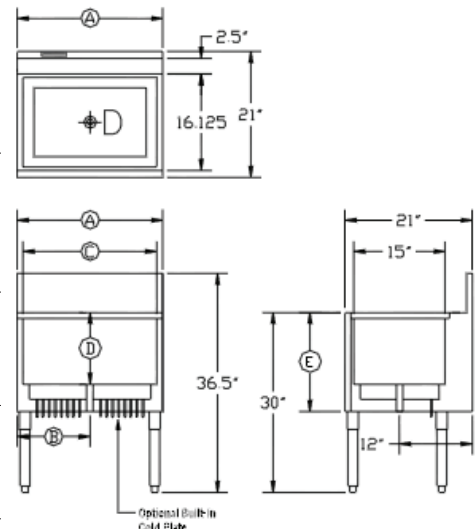
1800 Series



*KR18-6 must ship attached at factory. Cannot ship loose. Free standing unit not available.

Model Numbers	Overall Length (A)	Left Side to Drain (B)	Interior Dimensions (C)	Inside Depth (D)	Outside Depth (E)	Ice Capacity (lbs.)	Cold Plate Circuits	Weight (lbs.)
*KR21-6	0'-6"	3"	15" x 4"	10"	11 1/2"	20	N/A	20
KR21-12	1'-0"	6"	15" x 10"	10"	11 1/2"	25	N/A	35
KR21-24	2'-0"	12"	15" x 22"	12"	13 1/2"	80	N/A	60
KR21-30	2'-6"	15"	15" x 28"	12"	13 1/2"	97	N/A	80
KR21-36	3'-0"	18"	15" x 34"	12"	13 1/2"	115	N/A	95
KR21-42	3'-6"	21"	15" x 40"	12"	13 1/2"	135	N/A	115
KR21-48	4'-0"	24"	15" x 46"	12"	13 1/2"	160	N/A	130
KR21-24-10	2'-0"	12"	15" x 22"	12"	16 1/2"	80	10	166
KR21-30-10	2'-6"	15"	15" x 28"	12"	16 1/2"	97	10	185
KR21-36-10	3'-0"	18"	15" x 34"	12"	16 1/2"	115	10	199
KR21-42-10	3'-6"	21"	15" x 40"	12"	16 1/2"	135	10	235
KR21-48-10	4'-0"	24"	15" x 46"	12"	16 1/2"	160	10	249
KR21-24DP	2'-0"	12"	15" x 22"	15"	16 1/2"	100	N/A	75
KR21-30DP	2'-6"	15"	15" x 28"	15"	16 1/2"	120	N/A	100
KR21-36DP	3'-0"	18"	15" x 34"	15"	16 1/2"	138	N/A	125
KR21-48DP	4'-0"	24"	15" x 46"	15"	16 1/2"	178	N/A	216
KR21-24DP-10	2'-0"	12"	15" x 22"	15"	19 1/2"	100	10	188
KR21-30DP-10	2'-6"	15"	15" x 28"	15"	19 1/2"	120	10	225
KR21-36DP-10	3'-0"	18"	15" x 34"	15"	19 1/2"	138	10	270
KR21-48DP-10	4'-0"	24"	15" x 46"	15"	19 1/2"	178	10	296

2100 Series



*KR21-6 must ship attached at factory. Cannot ship loose. Free standing unit not available.

Mechanical Requirements:

1" IPS drain connection without Cold Plate. 1/2" IPS drain connection with Cold Plate

