



ROYAL SERIES UNDERBAR STORAGE CABINETS with SINK

MODEL: _____ PROJECT: _____ ITEM #: _____ QTY: _____

PRODUCT IMAGES



KR18-S18C SHOWN

KR18-SD12C SHOWN

AVAILABLE IN 1800 or 2100 SERIES

OPTIONAL ACCESSORIES

- **KR-310** Right End Splash
- **KR-311** Left End Splash
- **30-160** Perforated Dump Basket

STANDARD FEATURES

- **Sink Bowl**
20 gauge stainless steel. 10" x 14" x 10" deep bowl with 1 1/2" drain in center. 9" standpipe. 1 1/2" radius on all vertical and horizontal edges
- **Drainboard**
20 gauge embossed stainless steel reinforced with welded braces every 6". 3/4" radius on all vertical and horizontal edges
- **Front Apron**
20 gauge stainless steel clad over 20 gauge galvanized steel
- **Waste Chute**
6" diameter waste chute with 1/2" raised rim
- **Doors (Optional)**
20 gauge stainless steel
- **Backsplash**
20 gauge stainless steel
- **Sides**
20 gauge stainless steel
- **Back and Bottom**
20 gauge stainless steel
- **Legs**
1 5/8" tubular 16 gauge stainless steel with grey plastic bullet foot
- **Plumbing**
1/2" IPS hot and cold water. 1" IPS drain connection
- **Faucet**
4" OC wall or deck mount faucet with ceramic cartridge valves
- **Low Lead Compliance**
Low Lead Compliant faucets meet California AB-1953 and Vermont S152 standards



CERTIFICATIONS:

APPROVED BY:

Due to our commitment to continued product improvement, specifications are subject to change without notice.

Printed in the USA

Krowne Metal Corporation

100 Haul Rd. Wayne, NJ 07470 • Toll Free: (800) 631-0442 • Fax: (973) 872-1129
sales@krowne.com • www.krowne.com • www.facebook.com/KrowneMetal • www.twitter.com/KrowneMetal

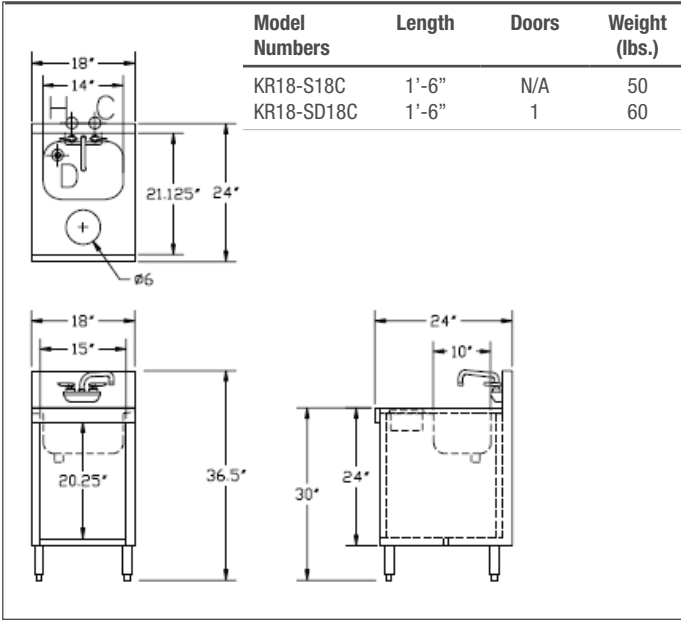
Rev. 08/2015
No. 5.22



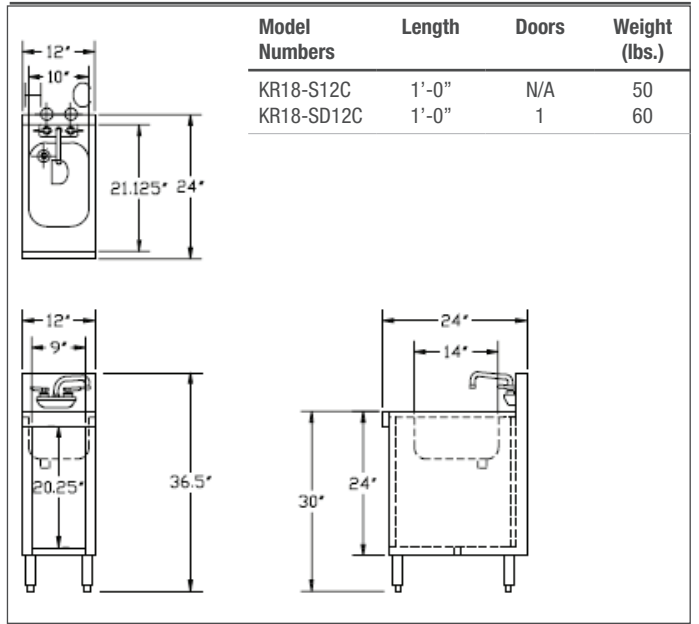
ROYAL SERIES UNDERBAR STORAGE CABINETS with SINK

MODEL: _____ PROJECT: _____ ITEM #: _____ QTY: _____

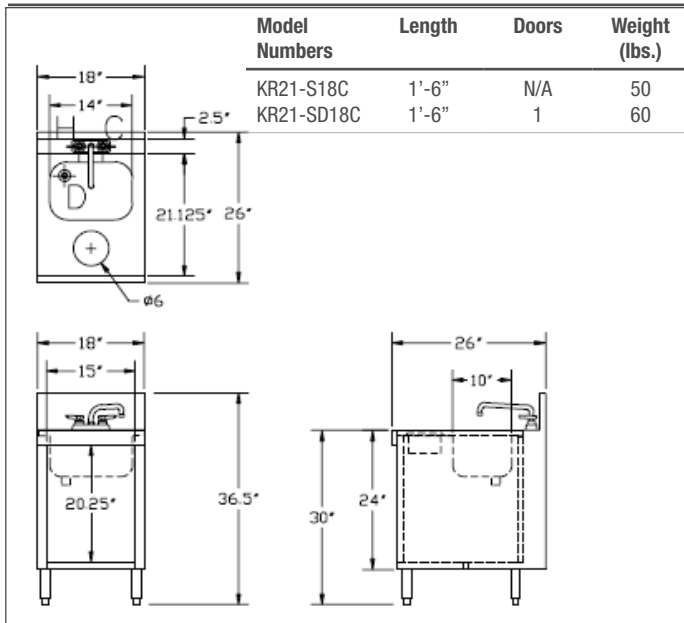
1800 SERIES: SINK with WASTE CHUTE



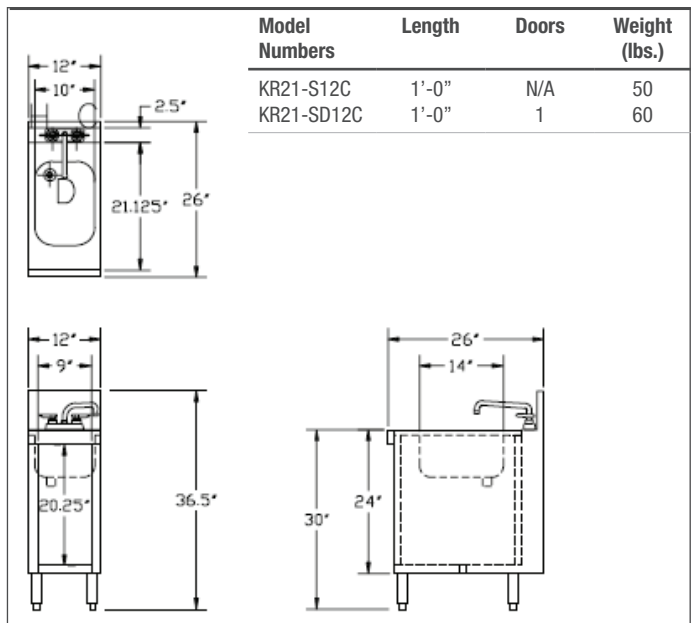
1800 SERIES: SINK ONLY



2100 SERIES: SINK with WASTE CHUTE



2100 SERIES: SINK ONLY



APPROVED BY:

Due to our commitment to continued product improvement, specifications are subject to change without notice.

CERTIFICATIONS:

Printed in the USA

Krowne Metal Corporation

100 Haul Rd. Wayne, NJ 07470 • Toll Free: (800) 631-0442 • Fax: (973) 872-1129

sales@krowne.com • www.krowne.com • www.facebook.com/KrowneMetal • www.twitter.com/KrowneMetal

Rev. 08/2015
No. 5.22