

ALUMINUM  
**KEG RACKS**

**Item #:** \_\_\_\_\_ **Qty #:** \_\_\_\_\_  
**Model #:** \_\_\_\_\_  
**Project #:** \_\_\_\_\_



**FEATURES:**

20" Wide fully adjustable shelves.  
 (2) Keg storage shelves with 1-3/4" square tubing welded front to back.  
 Top shelf with 1-3/4" square tubing welded left to right.  
**Top Shelf Load Rating** - 15 lbs. sq. ft. evenly distributed.  
**Keg Shelves Load Rating** - 60 lb. per sq. ft. evenly distributed load.

**CONSTRUCTION:**

Shelves: Fully welded 1-3/4" square tubing.  
 Upright Posts: 1-5/16" round heavy wall tubing with 4 plastic caps.

**MATERIAL:**

Extruded Aluminum Tubing & Support Pieces.

MODEL #	Overall Size L x W x H	# of Kegs Per Unit	Wt.
KR-42	42" x 20" x 76"	4	50 lbs.
KR-60	60" x 20" x 76"	6	68 lbs.
KR-72	72" x 20" x 76"	8	80 lbs.
KR-80	80" x 20" x 76"	8	88 lbs.
KR-93	93" x 20" x 76"	10	100 lbs.

**NOTE: Top shelf not recommended for Keg Storage.  
 KR-1 recommended to minimize falling kegs.  
 (See below)**



OPTIONAL REAR KEG STRAP  
MODEL # KR-1 SERIES

**FEATURES:**

Prevents kegs from sliding off rear of a keg rack shelf.

**CONSTRUCTION:**

Fully welded 1-3/4" square tubing.  
 Upright Posts: 1-5/16" round heavy wall tubing.

**MATERIAL:**

Extruded Aluminum Tubing & Support Pieces.

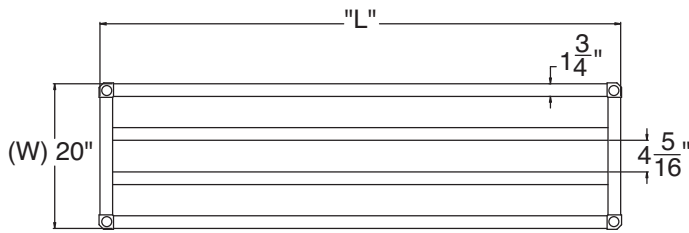
Accessory	Model #	Qty
Rear Strap - 42"	KR-1-42	
Rear Strap - 60"	KR-1-60	
Rear Strap - 72"	KR-1-72	
Rear Strap - 80"	KR-1-80	
Rear Strap - 93"	KR-1-93	

 <p><b>ADVANCE TABCO</b> SMART FABRICATION™ www.advancetabco.com</p>	<p><b>NEW YORK</b> (800) 645-3166 Fax: (631) 242-6900</p>	<p><b>GEORGIA</b> (800) 832-1218 Fax: (770) 775-5625</p>	<p><b>TEXAS</b> (800) 527-0353 Fax: (972) 932-4795</p>	<p><b>NEVADA</b> (800) 446-8684 Fax: (775) 972-1578</p>
---	---	--	--	---

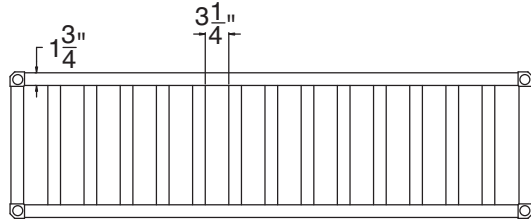
# DIMENSIONS and SPECIFICATIONS

TOL ± .500"

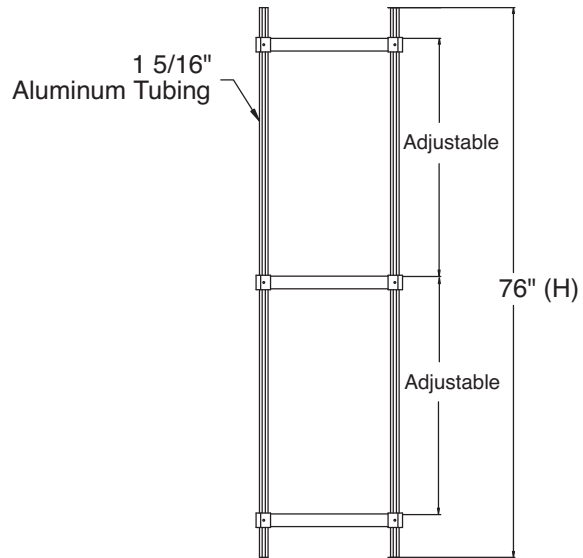
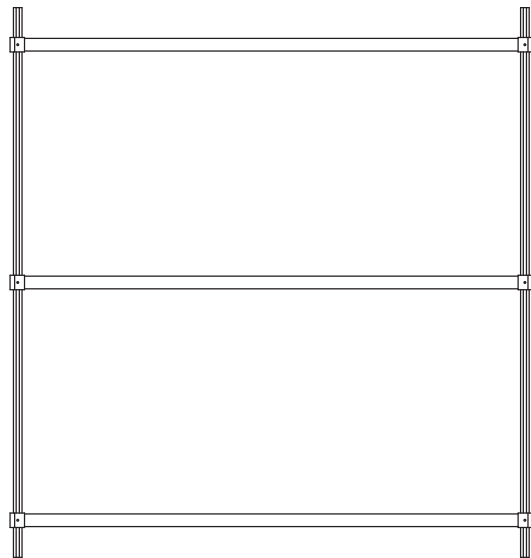
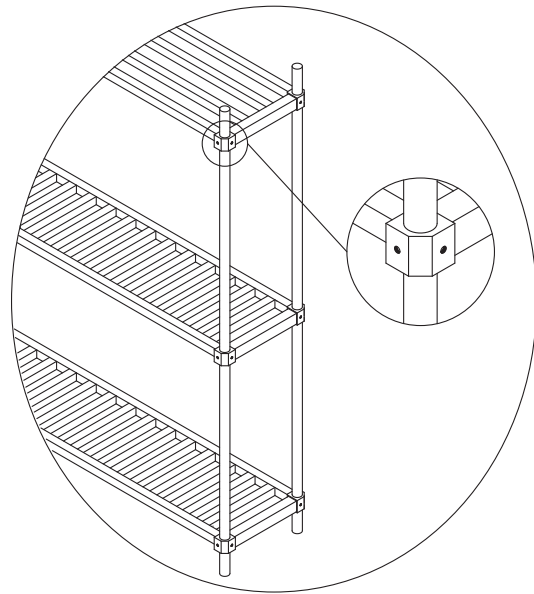
ALL DIMENSIONS ARE TYPICAL



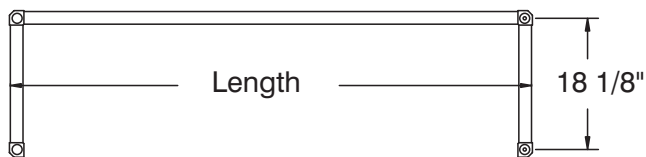
Plan View of Top Shelf



Plan View of Keg Shelves



## REAR KEG RACK STRAP



MODEL #	Length	Wt.
KR-1-42	42"	6 lbs.
KR-1-60	60"	7 lbs.
KR-1-72	72"	8 lbs.
KR-1-80	80"	9 lbs.
KR-1-93	93"	10 lbs.

